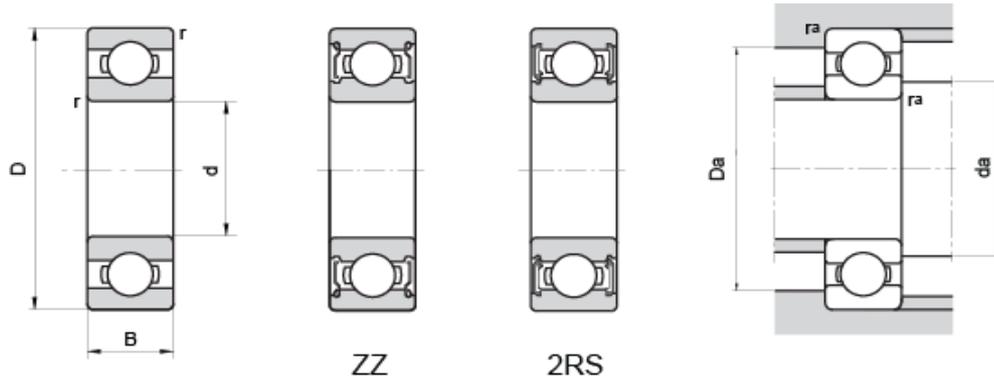


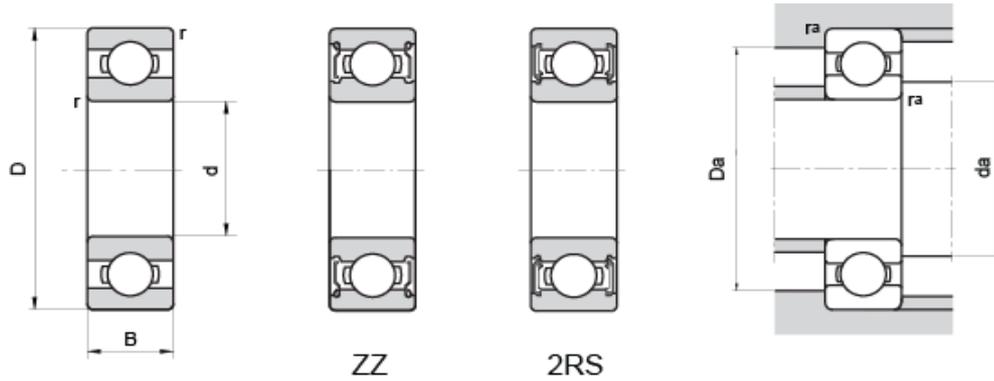


Contents

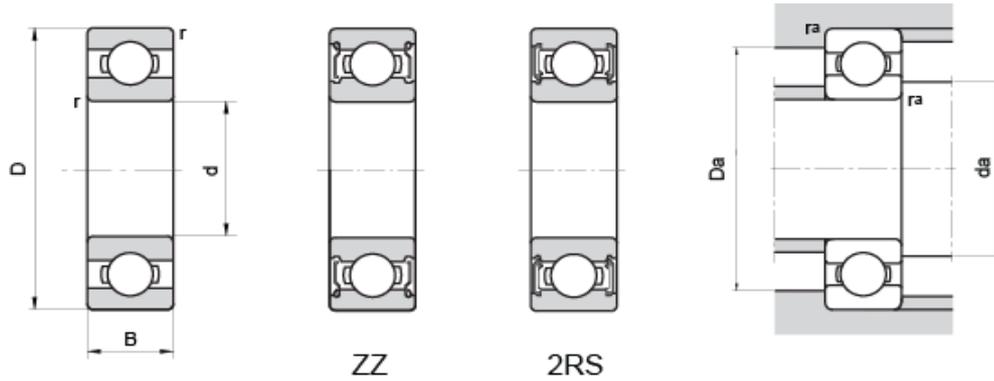
Deep groove ball bearings	1
Single row deep groove ball bearings	
Single row deep groove ball bearings with snap groove and ring	
Single row deep groove ball bearings with filling slots	
Single row deep groove ball bearings with snap groove , snap ring and filling slots	
Double row deep groove ball bearings	
Angular contact ball bearings	20
Precision single row angular contact ball bearings	
Single row angular contact ball bearings	
Double row angular contact ball bearings	
Four-point contact ball bearings	
Angular contact thrust ball bearings	31
Single direction angular contact thrust ball bearings	
Double direction angular contact thrust ball bearings	
cylindrical roller bearings	34
Precision single row cylindrical roller bearings	
Precision double row cylindrical roller bearings	
Single row full complement cylindrical roller bearings	
Double row full complement cylindrical roller bearings	
Mast guide bearings	42



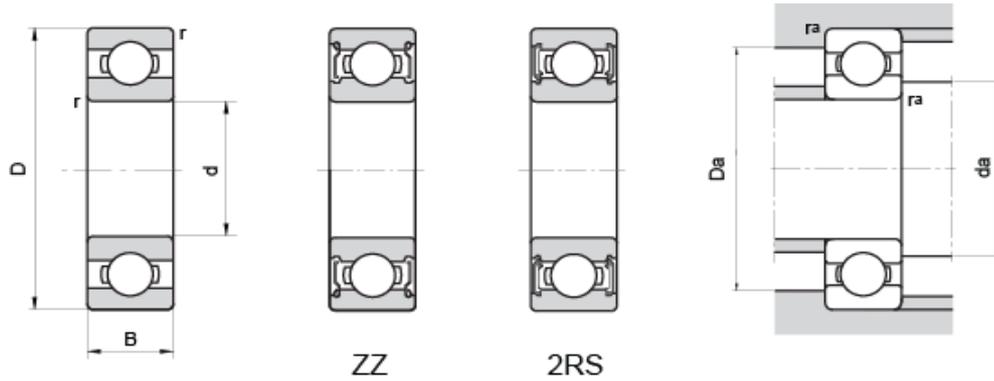
Bearing number	Dimensions (mm)				Mounting dimensions (mm)			Basic load ratings (KN)		Limiting speed (r/min)		Mass (kg)
	d	D	B	r min	da min	Da max	ra max	Cr	Cor	Grease	Oil	
61800	10	19	5	0.3	12	17	0.3	1.72	0.84	34000	40000	0.005
61800-ZZ		19	5	0.3	12	17	0.3	1.72	0.84	29000		0.005
61800-2RS		19	5	0.3	12	17	0.3	1.72	0.84	24000		0.005
61900		22	6	0.3	12	20	0.3	2.7	1.27	32000	38000	0.009
61900-ZZ		22	6	0.3	12	20	0.3	2.7	1.27	2700		0.009
61900-2RS		22	6	0.3	12	20	0.3	2.7	1.27	22000		0.009
16000		28	8	0.6	14.2	23.8	0.3	4.62	1.96	28000	34000	0.022
6000		26	8	0.3	12	24	0.3	4.75	1.96	30000	36000	0.019
6000-ZZ		26	8	0.3	12	24	0.3	4.75	1.96	26000		0.019
6000-2RS		26	8	0.3	12	24	0.3	4.75	1.96	19000		0.019
6200		30	9	0.6	14.2	25.8	0.6	5.4	2.36	24000	30000	0.032
6200-ZZ		30	9	0.6	14.2	25.8	0.6	5.4	2.36	20000		0.032
6200-2RS		30	9	0.6	14.2	25.8	0.6	5.4	2.36	17000		0.032
62200-2RS		30	14	0.6	14.2	25.8	0.6	5.07	2.36	17000		0.04
6300		35	11	0.6	14.2	30.8	0.6	8.52	3.4	20000	26000	0.053
6300-ZZ		35	11	0.6	14.2	30.8	0.6	8.52	3.4	17000		0.053
6300-2RS		35	11	0.6	14.2	30.8	0.6	8.52	3.4	15000		0.053
62300-2RS		35	17	0.6	14.2	30.8	0.6	8.06	3.4	15000		0.06
61801	12	21	5	0.3	14	19	0.3	1.92	1.04	32000	38000	0.006
61801-ZZ		21	5	0.3	14	19	0.3	1.92	1.04	27000		0.006
61801-2RS		21	5	0.3	14	19	0.3	1.92	1.04	20000		0.006
61901		24	6	0.3	14	22	0.3	2.89	1.46	30000	36000	0.01
61901-ZZ		24	6	0.3	14	22	0.3	2.89	1.46	26000		0.01
61901-2RS		24	6	0.3	14	22	0.3	2.89	1.46	20000		0.01
16001		30	8	0.3	14.4	27.6	0.3	5.07	2.36	26000	32000	0.023
6001		28	8	0.3	14	26	0.3	5.4	2.36	26000	32000	0.022
6001-ZZ		28	8	0.3	14	26	0.3	5.4	2.36	22000		0.022
6001-2RS		28	8	0.3	14	26	0.3	5.4	2.36	17000		0.022
6201		32	10	0.6	16.2	27.8	0.6	7.28	3.1	22000	28000	0.037
6201-ZZ		32	10	0.6	16.2	27.8	0.6	7.28	3.1	19000		0.037
6201-2RS		32	10	0.6	16.2	27.8	0.6	7.28	3.1	15000		0.037
62201-2RS		32	14	0.6	16.2	27.8	0.6	6.89	3.1	15000		0.045
6301		37	12	1.0	17.6	31.4	1	10.1	4.15	19000	24000	0.06
6301-ZZ		37	12	1.0	17.6	31.4	1	10.1	4.15	16000		0.06
6301-2RS		37	12	1.0	17.6	31.4	1	10.1	4.15	14000		0.06
62301-2RS		37	17	1.0	17.6	31.4	1	9.75	4.15	14000		0.07



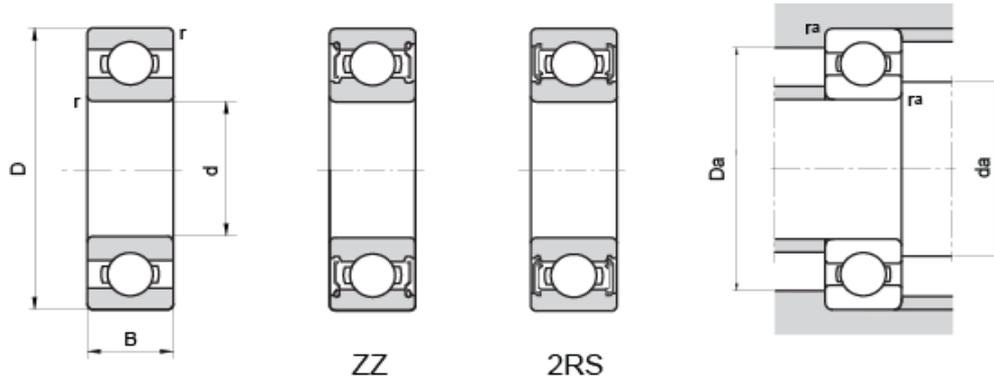
Bearing number	Dimensions (mm)				Mounting dimensions (mm)			Basic load ratings (KN)		Limiting speed (r/min)		Mass (kg)
	d	D	B	r min	da min	Da max	ra max	Cr	Cor	Grease	Oil	
61802	15	24	5	0.3	17	22	0.3	2.07	1.26	28000	34000	0.007
61802-ZZ		24	5	0.3	17	22	0.3	2.07	1.26	24000		0.007
61802-2RS		24	5	0.3	17	22	0.3	2.07	1.26	17000		0.007
61902	28	28	7	0.3	17	26	0.3	4.35	2.26	26000	30000	0.015
61902-ZZ		28	7	0.3	17	26	0.3	4.35	2.26	22000		0.015
61902-2RS		28	7	0.3	17	26	0.3	4.35	2.26	17000		0.015
16002	32	32	8	0.3	17	30	0.3	5.85	2.85	22000	28000	0.025
6002		32	9	0.3	17	30	0.3	5.85	2.85	22000	28000	0.03
6002-ZZ		32	9	0.3	17	30	0.3	5.85	2.85	19000		0.03
6002-2RS	32	9	0.3	17	30	0.3	5.85	2.85	14000		0.03	
6202	35	35	11	0.6	19.2	30.8	0.6	8.06	3.75	19000	24000	0.045
6202-ZZ		35	11	0.6	19.2	30.8	0.6	8.06	3.75	16000		0.045
6202-2RS		35	11	0.6	19.2	30.8	0.6	8.06	3.75	13000		0.045
62202-2RS	35	14	0.6	19.2	30.8	0.6	7.8	3.75	13000		0.054	
6302	42	42	13	1.0	20.6	36.4	1	11.9	5.4	17000	20000	0.082
6302-ZZ		42	13	1.0	20.6	36.4	1	11.9	5.4	14000		0.082
6302-2RS		42	13	1.0	20.6	36.4	1	11.9	5.4	12000		0.082
62302-2RS	42	17	1.0	20.6	36.4	1	11.4	5.4	12000		0.11	
61803	17	26	5	0.3	19	24	0.3	2.63	1.57	26000	30000	0.007
61803-ZZ		26	5	0.3	19	24	0.3	2.63	1.57	22000		0.007
61803-2RS		26	5	0.3	19	24	0.3	2.63	1.57	15000		0.007
61903	30	30	7	0.3	19	28	0.3	4.3	2	24000	30000	0.018
61903-ZZ		30	7	0.3	19	28	0.3	4.3	2	20000		0.018
61903-2RS		30	7	0.3	19	28	0.3	4.3	2	15000		0.018
16003	35	35	8	0.3	19	33	0.3	6	2.8	22000	28000	0.032
6003		35	10	0.3	19	33	0.3	6	2.8	22000	28000	0.037
6003-ZZ		35	10	0.3	19	33	0.3	6	2.8	19000		0.037
6003-2RS	35	10	0.3	19	33	0.3	6	2.8	13000		0.037	
6203	40	40	12	0.6	21.2	35.8	0.6	9.5	4.7	18000	22000	0.063
6203-ZZ		40	12	0.6	21.2	35.8	0.6	9.5	4.7	15000		0.063
6203-2RS		40	12	0.6	21.2	35.8	0.6	9.5	4.7	12000		0.063
62203-2RS	40	16	0.6	21.2	35.8	0.6	9.56	4.75	12000		0.083	
6303	47	47	14	1.0	22.6	41.4	1	13.5	6.5	16000	19000	0.111
6303-ZZ		47	14	1.0	22.6	41.4	1	13.5	6.5	14000		0.111
6303-2RS		47	14	1.0	22.6	41.4	1	13.5	6.5	11000		0.111
62303-2RS	47	19	1.0	22.6	41.4	1	13.5	6.5	11000		0.15	
6403	62	62	17	1.1	23.5	55.5	1	22.9	10.8	12000	15000	0.27



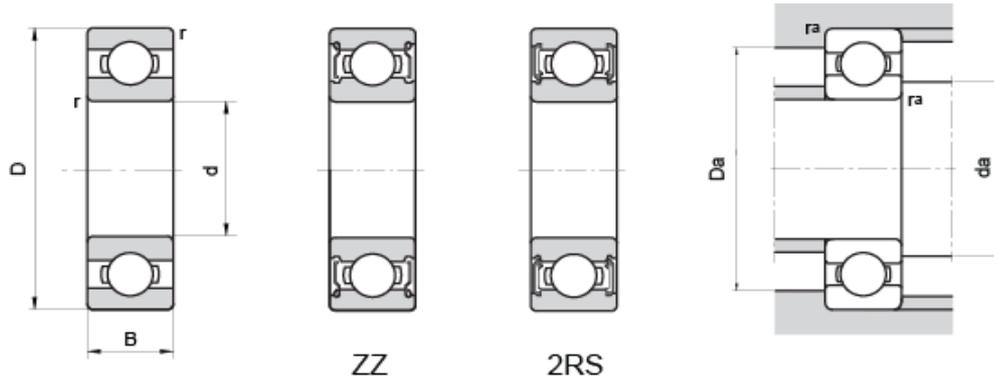
Bearing number	Dimensions (mm)				Mounting dimensions (mm)			Basic load ratings (KN)		Limiting speed (r/min)		Mass (kg)
	d	D	B	r min	da min	Da max	ra max	Cr	Cor	Grease	Oil	
61804	20	32	7	0.3	22	30	0.3	4.0	2.47	22000	26000	0.017
61804-ZZ		32	7	0.3	22	30	0.3	4.0	2.47	19000		0.017
61804-2RS		32	7	0.3	22	30	0.3	4.0	2.47	13000		0.017
61904		37	9	0.3	22	35	0.3	6.4	3.7	19000	23000	0.036
61904-ZZ		37	9	0.3	22	35	0.3	6.4	3.7	16000		0.036
61904-2RS		37	9	0.3	22	35	0.3	6.4	3.7	12000		0.036
16004		42	8	0.3	22	40	0.3	6.9	4.1	18000	22000	0.049
6004		42	12	0.6	23.2	38.8	0.6	9.4	5	17000	20000	0.065
6004-ZZ		42	12	0.6	23.2	38.8	0.6	9.4	5	14000		0.065
6004-2RS		42	12	0.6	23.2	38.8	0.6	9.4	5	11000		0.065
6204		47	14	1.0	25.6	41.4	1	12.8	6.6	15000	18000	0.105
6204-ZZ		47	14	1.0	25.6	41.4	1	12.8	6.6	13000		0.105
6204-2RS		47	14	1.0	25.6	41.4	1	12.8	6.6	10000		0.105
62204-2RS		47	18	1.0	25.6	41.4	1	12.7	6.55	10000		0.130
6304		52	15	1.1	27	45	1	15.9	7.8	14000	17000	0.148
6304-ZZ		52	15	1.1	27	45	1	15.9	7.8	12000		0.148
6304-2RS		52	15	1.1	27	45	1	15.9	7.8	9000		0.148
62304-2RS		52	21	1.1	27	45	1	15.9	7.8	9000		0.200
6404		72	19	1.1	29	63	1	30.7	15	10000	13000	0.4
60/22	22	44	12	0.6	26	40	0.6	9.4	5.1	17000	20000	0.074
60/22-ZZ		44	12	0.6	26	40	0.6	9.4	5.1			0.074
60/22-2RS		44	12	0.6	26	40	0.6	9.4	5.1			0.074
62/22		50	14	1.0	27.6	44.4	1	12.9	6.8	14000	17000	0.117
62/22-ZZ		50	14	1.0	27.6	44.4	1	12.9	6.8			0.117
62/22-2RS		50	14	1.0	27.6	44.4	1	12.9	6.8			0.117
63/22		56	16	1.1	29	47	1	18.4	9.3	13000	15000	0.176
63/22-ZZ		56	16	1.1	29	47	1	18.4	9.3			0.176
63/22-2RS		56	16	1.1	29	47	1	18.4	9.3			0.176
61805	25	37	7	0.3	27	35	0.3	4.3	2.95	18000	22000	0.021
61805-ZZ		37	7	0.3	27	35	0.3	4.3	2.95	15000		0.021
61805-2RS		37	7	0.3	27	35	0.3	4.3	2.95	10000		0.021
61905		42	9	0.3	27	40	0.3	7.1	4.6	16000	19000	0.042
61905-ZZ		42	9	0.3	27	40	0.3	7.1	4.6	14000		0.042
61905-2RS		42	9	0.3	27	40	0.3	7.1	4.6	10000		0.042
16005		47	8	0.3	27	45	0.3	8.4	5.1	16000	19000	0.056



Bearing number	Dimensions (mm)				Mounting dimensions (mm)			Basic load ratings (KN)		Limiting speed (r/min)		Mass (kg)
	d	D	B	r min	da min	Da max	ra max	Cr	Cor	Grease	Oil	
6005	25	47	12	0.6	28.2	43.8	0.6	10.1	5.8	15000	18000	0.077
6005-ZZ		47	12	0.6	28.2	43.8	0.6	10.1	5.8	13000		0.077
6005-2RS		47	12	0.6	28.2	43.8	0.6	10.1	5.8	9500		0.077
6205		52	15	1.0	30.6	46.1	1	14	7.8	14000	17000	0.125
6205-ZZ		52	15	1.0	30.6	46.1	1	14	7.8	12000		0.125
6205-2RS		52	15	1.0	30.6	46.1	1	14	7.8	9000		0.125
62205-2RS		52	18	1.0	30.6	46.1	1	14	7.8	9000		0.150
6305		62	17	1.1	32	55	1	22.4	11.5	11000	14000	0.232
6305-ZZ		62	17	1.1	32	55	1	22.4	11.5	9000		0.232
6305-2RS		62	17	1.1	32	55	1	22.4	11.5	7500		0.232
62305-2RS		62	24	1.1	32	55	1	22.5	11.6	7500		0.320
6405		80	21	1.5	34	71	1.5	35.8	19.3	9000	11000	0.53
60/28	28	52	12	0.6	32	46	0.6	12.5	7.4	14000	16000	0.098
60/28-ZZ		52	12	0.6	32	46	0.6	12.5	7.4			0.098
60/28-2RS		52	12	0.6	32	46	0.6	12.5	7.4			0.098
62/28		58	16	1.0	33.6	52.4	1	16.6	9.5	12000	14000	0.171
62/28-ZZ		58	16	1.0	33.6	52.4	1	16.6	9.5			0.171
62/28-2RS		58	16	1.0	33.6	52.4	1	16.6	9.5			0.171
63/28		68	18	1.1	35	61	1	24.9	13.8	11000	13000	0.284
63/28-ZZ		68	18	1.1	35	61	1	24.9	13.8			0.284
63/28-2RS		68	18	1.1	35	61	1	24.9	13.8			0.284
61806	30	42	7	0.3	32	40	0.3	4.7	3.65	15000	18000	0.024
61806-ZZ		42	7	0.3	32	40	0.3	4.7	3.65	13000		0.024
61806-2RS		42	7	0.3	32	40	0.3	4.7	3.65	9000		0.024
61906		47	9	0.3	32	45	0.3	7.3	4.6	14000	17000	0.048
61906-ZZ		47	9	0.3	32	45	0.3	7.3	4.6	12000		0.048
61906-2RS		47	9	0.3	32	45	0.3	7.3	4.6	8500		0.048
16006		55	9	0.3	32	53	0.3	11.2	7.4	13000	16000	0.084
6006		55	13	1.0	34.6	50.4	1	13.2	8.2	13000	16000	0.115
6006-ZZ		55	13	1.0	34.6	50.4	1	13.2	8.2	11000		0.115
6006-2RS		55	13	1.0	34.6	50.4	1	13.2	8.2	8000		0.115
6206		62	16	1.0	35.6	56.4	1	19.4	11.2	11000	14000	0.192
6206-ZZ		62	16	1.0	35.6	56.4	1	19.4	11.2	9000		0.192
6206-2RS		62	16	1.0	35.6	56.4	1	19.4	11.2	7500		0.192
62206-2RS		62	20	1.0	35.6	56.4	1	19.5	11.2	7500		0.240

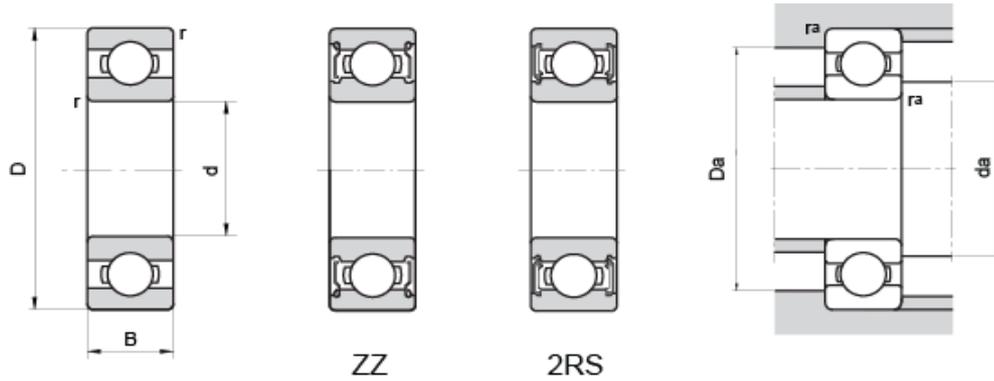


Bearing number	Dimensions (mm)				Mounting dimensions (mm)			Basic load ratings (KN)		Limiting speed (r/min)		Mass (kg)
	d	D	B	r min	da min	Da max	ra max	Cr	Cor	Grease	Oil	
6306	30	72	19	1.1	37	65	1	28.1	15.8	9500	12000	0.348
6306-2RS		72	19	1.1	37	65	1	28.1	15.8	6300		0.348
6306-ZZ		72	19	1.1	37	65	1	28.1	15.8	8000		0.348
62306-2RS		72	27	1.1	37	65	1	28.1	16	6300		0.480
6406		90	23	1.5	41	79	1.5	43.6	23.6	8500	10000	0.74
60/32	32	58	13	1.0	37	53	1	15.1	9.2	12000	15000	0.129
60/32-ZZ		58	13	1.0	37	53	1	15.1	9.2			0.129
60/32-2RS		58	13	1.0	37	53	1	15.1	9.2			0.129
62/32		65	17	1.0	37	60	1	20.7	11.6	11000	12000	0.226
62/32-ZZ	65	17	1.0	37	60	1	20.7	11.6	0.226			
62/32-2RS	65	17	1.0	37	60	1	20.7	11.6	0.226			
63/32		75	20	1.1	38.5	68.5	1	29.8	16.9	9500	11000	0.382
63/32-ZZ	75	20	1.1	38.5	68.5	1	29.8	16.9	0.382			
63/32-2RS	75	20	1.1	38.5	68.5	1	29.8	16.9	0.382			
61807	35	47	7	0.3	37	45	0.3	4.75	3.9	13000	16000	0.027
61807-ZZ		47	7	0.3	37	45	0.3	4.75	3.9	11000		0.027
61807-2RS		47	7	0.3	37	45	0.3	4.75	3.9	7500		0.027
61907		55	10	0.6	38.2	51.0	0.6	9.6	6.2	12000	15000	0.074
61907-ZZ	55	10	0.6	38.2	51.8	0.6	9.6	6.2	10000	0.074		
61907-2RS	55	10	0.6	38.2	51.8	0.6	9.6	6.2	7500	0.074		
16007		62	9	0.3	37	60	0.3	12.4	8.2	11000	14000	0.107
6007		62	14	1.0	39.6	57.4	1	15.9	10.2	11000	14000	0.151
6007-ZZ	62	14	1.0	39.6	57.4	1	15.9	10.2	9400	0.151		
6007-2RS	62	14	1.0	39.6	57.4	1	15.9	10.2	7000	0.151		
6207		72	17	1.1	42	65	1	25.6	15.2	9500	12000	0.288
6207-ZZ	72	17	1.1	42	65	1	25.6	15.2	8000	0.288		
6207-2RS	72	17	1.1	42	65	1	25.6	15.2	6300	0.288		
62207-2RS		72	23	1.1	42	65	1	25.5	15.3	6300		0.370
6307		80	21	1.5	44	71	1.5	33.4	19.2	8500	10000	0.458
6307-ZZ	80	21	1.5	44	71	1.5	33.4	19.2	7200	0.458		
6307-2RS	80	21	1.5	44	71	1.5	33.4	19.2	5600	0.458		
62307-2RS		80	31	1.5	44	71	1.5	33.2	19	5600		0.660
6407		100	25	1.5	46	89	1.5	55.3	31	7000	8500	0.95



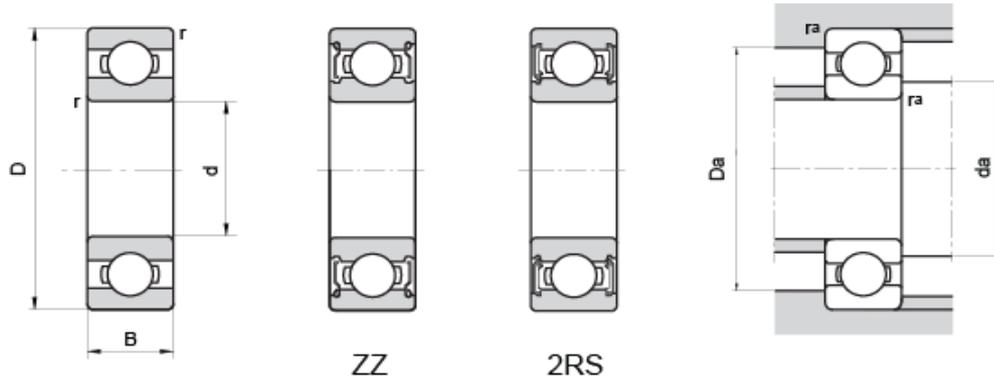
Bearing number	Dimensions (mm)				Mounting dimensions (mm)			Basic load ratings (KN)		Limiting speed (r/min)		Mass (kg)
	d	D	B	r min	da min	Da max	ra max	Cr	Cor	Grease	Oil	
61808	40	52	7	0.3	42	50	0.3	4.9	4.35	12000	14000	0.031
61808-ZZ		52	7	0.3	42	50	0.3	4.9	4.35	10000		0.031
61808-2RS		52	7	0.3	42	50	0.3	4.9	4.35	6700		0.031
61908	62	12	0.6	44	58	0.6	12.2	8.9	11000	13000	0.110	
61908-ZZ		12	0.6	44	58	0.6	12.2	8.9	9400		0.110	
61908-2RS		12	0.6	44	58	0.6	12.2	8.9	6300		0.110	
16008	68	9	0.3	42	66	0.3	13.2	9.2	10000	13000	0.126	
6008		15	1.0	44.6	63.4	1	16.8	11.5	10000	13000	0.188	
6008-ZZ		15	1.0	44.6	63.4	1	16.8	11.5	8500		0.188	
6008-2RS	15	1.0	44.6	63.4	1	16.8	11.5	6300		0.188		
6208	80	18	1.1	47	73	1	32.6	19.8	8500	10000	0.366	
6208-ZZ		18	1.1	47	73	1	32.6	19.8	7200		0.366	
6208-2RS		18	1.1	47	73	1	32.6	19.8	5600		0.366	
62208-2RS	80	23	1.1	47	73	1	30.7	19	5600		0.440	
6308	90	23	1.5	49	81	1.5	40.7	24	7500	9000	0.632	
6308-ZZ		23	1.5	49	81	1.5	40.7	24	6400		0.632	
6308-2RS		23	1.5	49	81	1.5	40.7	24	5000		0.632	
62308-2RS	90	33	1.5	49	81	1.5	41	24	5000		0.890	
6408	110	27	2.0	53	97	2	63.7	36.5	6700	8000	1.25	
61809	45	58	7	0.3	47	56	0.3	5.3	5.25	11000	13000	0.038
61809-ZZ		58	7	0.3	47	56	0.3	5.3	5.25	9400		0.038
61809-2RS		58	7	0.3	47	56	0.3	5.3	5.25	6000		0.038
61909	68	12	0.6	49	64	0.6	14.1	10.9	9800	12000	0.128	
61909-ZZ		12	0.6	49	64	0.6	14.1	10.9	8100		0.128	
61909-2RS		12	0.6	49	64	0.6	14.1	10.9	5600		0.128	
16009	75	10	0.6	48.2	71.8	0.6	14.9	11.4	9000	11000	0.168	
6009		16	1.0	50.8	69.2	1	21	15.2	9000	11000	0.231	
6009-ZZ		16	1.0	50.8	69.2	1	21	15.2	7700		0.231	
6009-2RS	16	1.0	50.8	69.2	1	21	15.2	5600		0.231		
6209	85	19	1.1	52	78	1	32.7	20.4	8000	9500	0.405	
6209-ZZ		19	1.1	52	78	1	32.7	20.4	6800		0.405	
6209-2RS		19	1.1	52	78	1	32.7	20.4	5300		0.405	
62209-2RS	85	23	1.1	52	78	1	33.2	21.6	5300		0.480	
6309	100	25	1.5	54	91	1.5	52.8	31.8	6700	8000	0.848	
6309-ZZ		25	1.5	54	91	1.5	52.8	31.8	5700		0.848	

Single row deep groove ball bearings

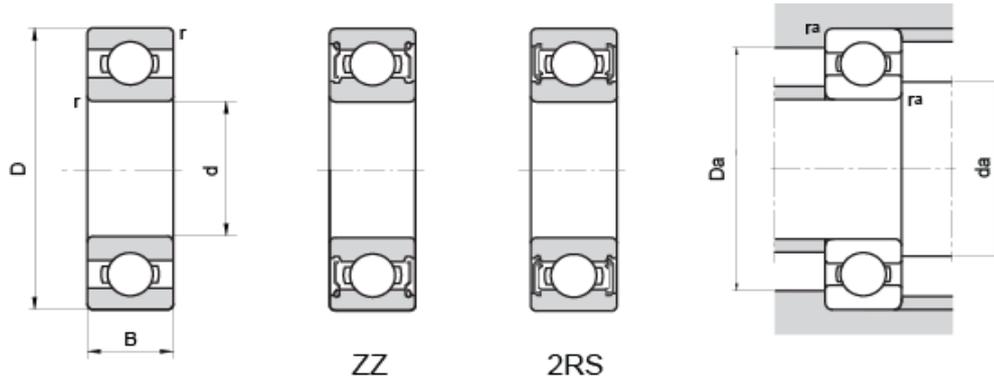


Bearing number	Dimensions (mm)				Mounting dimensions (mm)			Basic load ratings (KN)		Limiting speed (r/min)		Mass (kg)
	d	D	B	r min	da min	Da max	ra max	Cr	Cor	Grease	Oil	
6309-2RS	45	100	25	1.5	54	91	1.5	52.8	31.8	4500		0.848
62309-2RS		100	36	1.5	54	91	1.5	52.7	31.5	4500		1.150
6409		120	29	2.0	58	107	2	76.1	45	6000	7000	1.550
61810	50	65	7	0.3	52	63	0.3	6.4	6.2	9500	11000	0.050
61810-ZZ		65	7	0.3	52	63	0.3	6.4	6.2	8000		0.050
61810-2RS		65	7	0.3	52	63	0.3	6.4	6.2	5300		0.050
61910		72	12	0.6	54	68	0.6	15.6	12.2	8900	11000	0.132
61910-ZZ		72	12	0.6	54	68	0.6	15.6	12.2	7700		0.132
61910-2RS		72	12	0.6	54	68	0.6	15.6	12.2	5300		0.132
16010		80	10	0.6	53.2	76.8	0.6	16	11.6	8500	10000	0.180
6010		80	16	1.0	54.6	75.4	1	20.8	15.4	8500	10000	0.261
6010-ZZ		80	16	1.0	54.6	75.4	1	20.8	15.4	7200		0.261
6010-2RS		80	16	1.0	54.6	75.4	1	20.8	15.4	5300		0.261
6210		90	20	1.1	57	83	1	35	23.1	7500	9000	0.453
6210-ZZ		90	20	1.1	57	83	1	35	23.1	6400		0.453
6210-2RS		90	20	1.1	57	83	1	35	23.1	4800		0.453
62210-2RS		90	23	1.1	57	83	1	35.1	23.2	4800		0.520
6310		110	27	2.0	59	101	2	61.8	37.9	6000	7000	1.100
6310-ZZ		110	27	2.0	59	101	2	61.8	37.9	5100		1.100
6310-2RS		110	27	2.0	59	101	2	61.8	37.9	4000		1.100
62310-2RS		110	40	2.0	59	101	2	61.8	38	4000		1.550
6410		130	31	2.1	64	116	2	87.1	52	5300	6300	1.9
61811	55	72	9	0.3	57	70	0.3	8.8	8.5	8500	10000	0.081
61811-ZZ		72	9	0.3	57	70	0.3	8.8	8.5	7200		0.081
61811-2RS		72	9	0.3	57	70	0.3	8.8	8.5	4800		0.081
61911		80	13	1.0	60	75	1	16	13.3	8200	9600	0.180
61911-ZZ		80	13	1.0	60	75	1	16	13.3	6800		0.180
61911-2RS		80	13	1.0	60	75	1	16	13.3	4500		0.180
16011		90	11	0.6	58.2	86.8	0.6	19.3	16.3	7500	9000	0.263
6011		90	18	1.1	61	84	1	30.8	22.4	7500	9000	0.377
6011-ZZ		90	18	1.1	61	84	1	30.8	22.4	6400		0.377
6011-2RS		90	18	1.1	61	84	1	30.8	22.4	4500		0.377
6211		100	21	1.5	64	91	1.5	43.3	29.2	6700	8000	0.607
6211-ZZ		100	21	1.5	64	91	1.5	43.3	29.2	5700		0.607
6211-2RS		100	21	1.5	64	91	1.5	43.3	29.2	4300		0.607

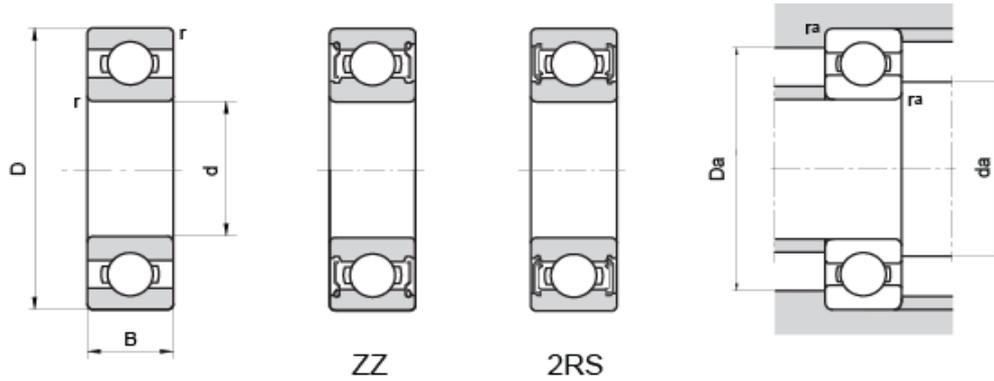
Single row deep groove ball bearings



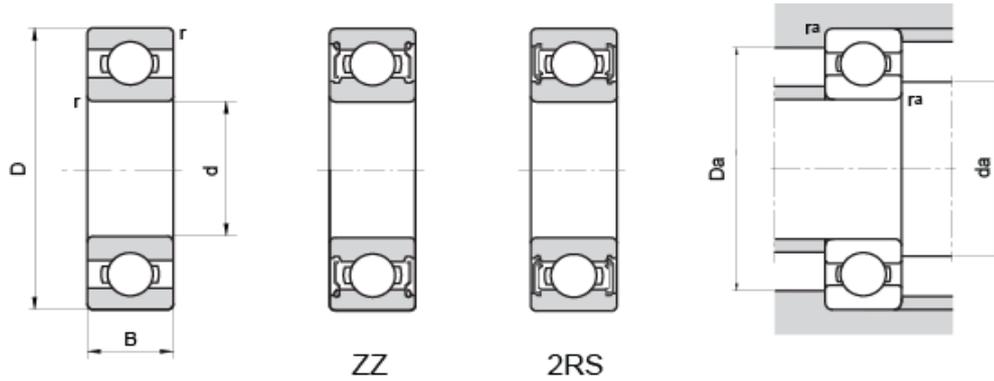
Bearing number	Dimensions (mm)				Mounting dimensions (mm)			Basic load ratings (KN)		Limiting speed (r/min)		Mass (kg)
	d	D	B	r min	da min	Da max	ra max	Cr	Cor	Grease	Oil	
62211-2RS	55	100	25	1.5	64	91	1.5	43.6	29	4300		0.700
6311		120	29	2.0	66	109	2	71.6	44.8	5300	6300	1.390
6311-ZZ		120	29	2.0	66	109	2	71.6	44.8	4500		1.390
6311-2RS		120	29	2.0	66	109	2	71.6	44.8	3600		1.390
62311-2RS		120	43	2.0	66	109	2	71.5	45	3600		1.950
6411		140	33	2.1	69	126	2	99.5	62	5000	6000	2.3
61812	60	78	10	0.3	62	76	0.3	11.5	10.9	8000	9500	0.103
61812-ZZ		78	10	0.3	62	76	0.3	11.5	10.9	6800		0.103
61812-2RS		78	10	0.3	62	76	0.3	11.5	10.9	4500		0.103
61912		85	13	1.0	65	80	1	19.4	16.3	7600	8900	0.193
61912-ZZ		85	13	1.0	65	80	1	19.4	16.3	6400		0.193
61912-2RS		85	13	1.0	65	80	1	19.4	16.3	4300		0.193
16012		95	11	0.6	63.2	91.8	0.6	20	17.5	7000	8500	0.279
6012		95	18	1.1	66	89	1	31.7	24.2	7000	8500	0.410
6012-ZZ		95	18	1.1	66	89	1	31.7	24.2	6000		0.410
6012-2RS		95	18	1.1	66	89	1	31.7	24.2	4300		0.410
6212		110	22	1.5	69	101	1.5	47.7	32.9	6000	7000	0.783
6212-ZZ		110	22	1.5	69	101	1.5	47.7	32.9	5100		0.783
6212-2RS		110	22	1.5	69	101	1.5	47.7	32.9	4000		0.783
62212-2RS		110	28	1.5	69	101	1.5	52.7	36	4000		0.970
6312		130	31	2.1	72	118	2	81.8	51.8	5000	6000	1.720
6312-ZZ		130	31	2.1	72	118	2	81.8	51.8	4300		1.720
6312-2RS		130	31	2.1	72	118	2	81.8	51.8	3400		1.720
62312-2RS		130	46	2.1	72	118	2	81.9	52	3400		2.500
6412		150	35	2.1	74	136	2	108	69.5	4800	5600	2.75
61813	65	85	10	0.6	69	81	0.6	11.9	12.1	7500	8500	0.128
61813-ZZ		85	10	0.6	69	81	0.6	11.9	12.1	6400		0.128
61813-2RS		85	10	0.6	69	81	0.6	11.9	12.1	4000		0.128
61913		90	13	1.0	70	85	1	17.4	16.1	7000	8200	0.206
61913-ZZ		90	13	1.0	70	85	1	17.4	16.1	6000		0.206
61913-2RS		90	13	1.0	70	85	1	17.4	16.1	4000		0.206
16013		100	11	0.6	68.2	96.8	0.6	21.2	17.3	6300	7500	0.298
6013		100	18	1.1	71	94	1	32.1	24.9	6300	7500	0.436
6013-ZZ		100	18	1.1	71	94	1	32.1	24.9	5400		0.436
6013-2RS		100	18	1.1	71	94	1	32.1	24.9	4000		0.436
6213		120	23	1.5	74	111	1.5	57.2	40	5300	6300	0.982



Bearing number	Dimensions (mm)				Mounting dimensions (mm)			Basic load ratings (KN)		Limiting speed (r/min)		Mass (kg)
	d	D	B	r min	da min	Da max	ra max	Cr	Cor	Grease	Oil	
6213-ZZ	65	120	23	1.5	74	111	1.5	57.2	40	4500		0.982
6213-2RS		120	23	1.5	74	111	1.5	57.2	40	3600		0.982
62213-2RS		120	31	1.5	74	111	1.5	55.9	40.5	3600		1.250
6313		140	33	2.1	77	128	2	97.5	60	4800	5600	2.1
6313-ZZ		140	33	2.1	77	128	2	97.5	60	4100		2.1
6313-2RS		140	33	2.1	77	128	2	97.5	60	3200		2.1
62313-2RS		140	48	2.1	77	128	2	92.3	60	3200		3
6413		160	37	2.1	79	146	2	119	78	4500	5300	3.3
61814	70	90	10	0.6	74	86	0.6	12.1	12.7	6700	8000	0.134
61814-ZZ		90	10	0.6	74	86	0.6	12.1	12.7	5700		0.134
61814-2RS		90	10	0.6	74	86	0.6	12.1	12.7	3800		0.134
61914		100	16	1.0	74.6	95.4	1	23.7	21.2	6500	7700	0.334
61914-ZZ		100	16	1.0	74.6	95.4	1	23.7	21.2	5400		0.334
61914-2RS		100	16	1.0	74.6	95.4	1	23.7	21.2	3600		0.334
16014		110	13	0.6	73.2	106	0.6	28	22	6000	7000	0.434
6014		110	20	1.1	76	104	1	38.6	30.4	6000	7000	0.604
6014-ZZ		110	20	1.1	76	104	1	38.6	30.4	5100		0.604
6014-2RS		110	20	1.1	76	104	1	38.6	30.4	3600		0.604
6214		125	24	1.5	79	116	1.5	62.2	44	5000	6000	1.080
6214-ZZ		125	24	1.5	79	116	1.5	62.2	44	4300		1.080
6214-2RS		125	24	1.5	79	116	1.5	62.2	44	3400		1.080
62214-2RS		125	31	1.5	79	116	1.5	60.5	45	3400		1.300
6314		150	35	2.1	82	138	2	111	68	4500	5300	2.5
6314-ZZ		150	35	2.1	82	138	2	111	68	3800		2.5
6314-2RS		150	35	2.1	82	138	2	111	68	3000		2.5
62314-2RS		150	51	2.1	82	138	2	104	68	3000		3.55
6414	180	42	3.0	86	164	2.5	143	104	3800	4500	4.85	
61815	75	95	10	0.6	79	91	0.6	12.5	13.9	6300	7500	0.149
61815-ZZ		95	10	0.6	79	91	0.6	12.5	13.9	5400		0.149
61815-2RS		95	10	0.6	79	91	0.6	12.5	13.9	4000		0.149
61915		105	16	1.0	80	100	1	24.4	22.6	6100	7200	0.353
61915-ZZ		105	16	1.0	80	100	1	24.4	22.6	5100		0.353
61915-2RS		105	16	1.0	80	100	1	24.4	22.6	3600		0.353
16015		115	13	0.6	78.2	111	0.6	28.5	23.2	5600	6700	0.456
6015		115	20	1.1	81	109	1	40.2	33.2	5600	6700	0.634



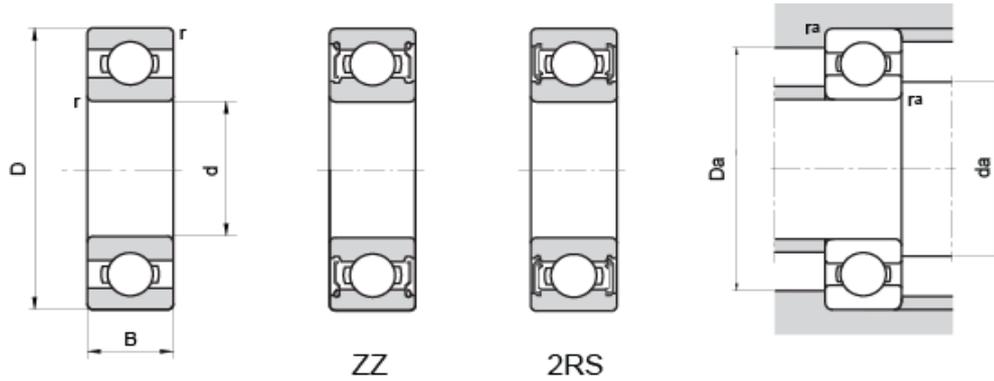
Bearing number	Dimensions (mm)				Mounting dimensions (mm)			Basic load ratings (KN)		Limiting speed (r/min)		Mass (kg)
	d	D	B	r min	da min	Da max	ra max	Cr	Cor	Grease	Oil	
6015-ZZ	75	115	20	1.1	81	109	1	40.2	33.2	4800		0.634
6015-2RS		115	20	1.1	81	109	1	40.2	33.2	3400		0.634
6215	130	130	25	1.5	84	121	1.5	66.1	49.5	4800	5600	1.210
6215-ZZ		130	25	1.5	84	121	1.5	66.1	49.5	4100		1.210
6215-2RS		130	25	1.5	84	121	1.5	66.1	49.5	3200		1.210
6315	160	160	37	2.1	87	148	2	119	76.5	4300	5000	3
6315-2RS		160	37	2.1	87	148	2	119	76.5	2800		3
6315-ZZ		160	37	2.1	87	148	2	119	76.5	3700		3
6415	190	45	3.0	91	174	2.5	153	114	3600	4300		6.8
61816	80	100	10	0.6	84	96	0.6	12.7	14.5	6000	7100	0.151
61816-ZZ		100	10	0.6	84	96	0.6	12.7	14.5	5100		0.151
61816-2RS		100	10	0.6	84	96	0.6	12.7	14.5	3600		0.151
61916	110	110	16	1.0	85	105	1	25.0	24.0	5600	6700	0.391
61916-ZZ		110	16	1.0	85	105	1	25.0	24.0	4800		0.391
61916-2RS		110	16	1.0	85	105	1	25.0	24.0	3200		0.391
16016	125	14	0.6	83.2	121	0.6	35.1	31.5	5300	6300		0.6
6016	125	125	22	1.1	86	119	1	49.4	40	5300	6300	0.85
6016-ZZ		125	22	1.1	86	119	1	49.4	40	4500		0.85
6016-2RS		125	22	1.1	86	119	1	49.4	40	3200		0.85
6216	140	140	26	2.0	91	129	2	72.8	55	4500	5300	1.4
6216-ZZ		140	26	2.0	91	129	2	72.8	55	3800		1.4
6216-2RS		140	26	2.0	91	129	2	72.8	55	3000		1.4
6316	170	170	39	2.1	92	158	2	130	86.5	3800	4500	3.6
6316-ZZ		170	39	2.1	92	158	2	130	86.5	3200		3.6
6316-2RS		170	39	2.1	92	158	2	130	86.5	2600		3.6
6416	200	48	3.0	96	184	2.5	163	125	3400	4000		8
61817	85	110	13	1.0	90	105	1	18.7	20.0	5600	6700	0.263
61817-ZZ		110	13	1.0	90	105	1	18.7	20.0	4800		0.263
61817-2RS		110	13	1.0	90	105	1	18.7	20.0	3400		0.263
61917	120	120	18	1.1	91.5	114	1	32.0	29.6	5300	6300	0.55
61917-ZZ		120	18	1.1	91.5	113.5	1	32.0	29.6	4500		0.55
61917-2RS		120	18	1.1	91.5	113.5	1	32.0	29.6	3100		0.55
16017	130	14	0.6	88.2	126	0.6	35.8	33.5	5000	6000		0.63
6017	130	22	1.1	92	123	1	52	43	5000	6000		0.89



Bearing number	Dimensions (mm)				Mounting dimensions (mm)			Basic load ratings (KN)		Limiting speed (r/min)		Mass (kg)
	d	D	B	r min	da min	Da max	ra max	Cr	Cor	Grease	Oil	
6017-ZZ	85	130	22	1.1	92	123	1	52	43	4300		0.89
6017-2RS		130	22	1.1	92	123	1	52	43	3000		0.89
6217		150	28	2.0	94	141	2	87.1	64	4300	5000	1.8
6217-ZZ		150	28	2.0	94	141	2	87.1	64	3700		1.8
6217-2RS		150	28	2.0	94	141	2	87.1	64	2800		1.8
6317		180	41	3.0	99	166	2.5	140	96.5	3600	4300	4.25
6317-ZZ		180	41	3.0	99	166	2.5	140	96.5	3100		4.25
6317-2RS		180	41	3.0	99	166	2.5	140	96.5	2400		4.25
61818	90	115	13	1.0	95	110	1	19.0	21.0	5300	6300	0.276
61818-ZZ		115	13	1.0	95	110	1	19.0	21.0	4500		0.276
61818-2RS		115	13	1.0	95	110	1	19.0	21.0	3200		0.276
61918		125	18	1.1	96.5	118.5	1	33.0	31.5	5000	6000	0.585
61918-ZZ		125	18	1.1	96.5	118.5	1	33.0	31.5	4300		0.585
61918-2RS		125	18	1.1	96.5	118.5	1	33.0	31.5	2800		0.585
16018		140	16	1.0	94.6	135	1	43.6	39	4800	5600	0.85
6018		140	24	1.5	97	133	1.5	60.5	50	4800	5600	1.15
6018-ZZ		140	24	1.5	97	133	1.5	60.5	50	4100		1.15
6018-2RS		140	24	1.5	97	133	1.5	60.5	50	2800		1.15
6218		160	30	2.0	101	149	2	101	73.5	3800	4500	2.15
6218-ZZ		160	30	2.0	101	149	2	101	73.5	3200		2.15
6218-2RS		160	30	2.0	101	149	2	101	73.5	2600		2.15
6318		190	43	3.0	104	176	2.5	151	108	3400	4000	4.9
6318-ZZ		190	43	3.0	104	176	2.5	151	108	2900		4.9
6318-2RS		190	43	3.0	104	176	2.5	151	108	2400		4.9
61819	95	120	13	1.0	100	115	1	19.3	22.0	5000	6000	0.297
61819-ZZ		120	13	1.0	100	115	1	19.3	22.0	4300		0.297
61819-2RS		120	13	1.0	100	115	1	19.3	22.0	2800		0.297
61919		130	18	1.1	101.5	123.5	1	33.5	33.5	4800	5600	0.601
61919-ZZ		130	18	1.1	101.5	123.5	1	33.5	33.5	4100		0.601
61919-2RS		130	18	1.1	101.5	123.5	1	33.5	33.5	2600		0.601
16019		145	16	1.0	99.6	140	1	44.8	41.5	4500	5300	0.89
6019		145	24	1.5	102	138	1.5	63.7	54	4500	5300	1.2
6019-ZZ		145	24	1.5	102	138	1.5	63.7	54	3800		1.2
6019-2RS		145	24	1.5	102	138	1.5	63.7	54	2800		1.2
6219		170	32	2.1	106	159	2	114	81.5	3600	4300	2.6

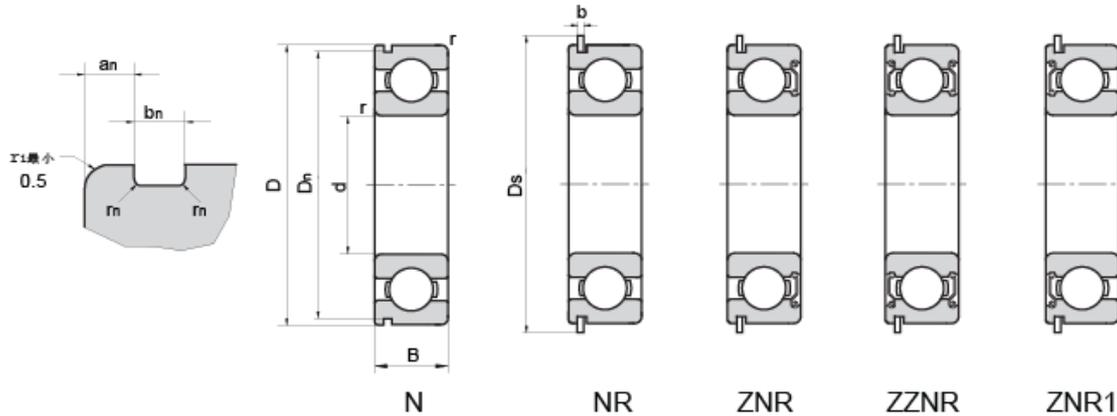


Single row deep groove ball bearings



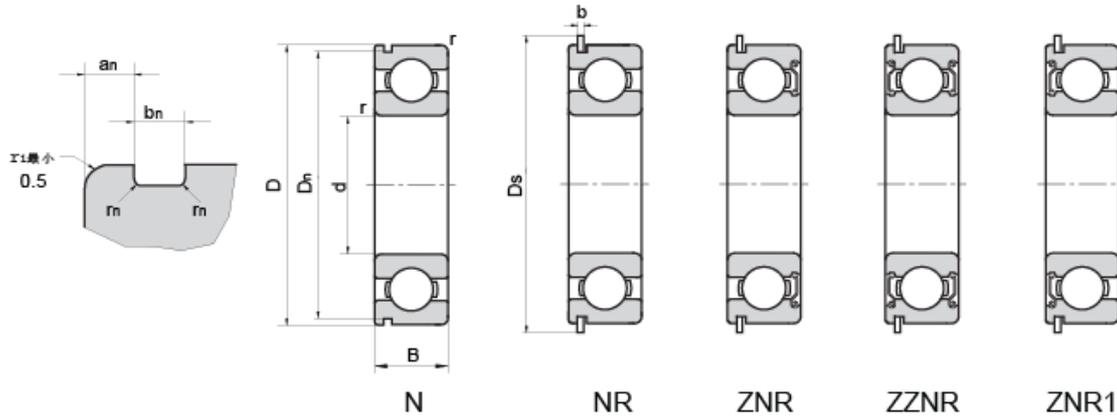
Bearing number	Dimensions (mm)				Mounting dimensions (mm)			Basic load ratings (KN)		Limiting speed (r/min)		Mass (kg)
	d	D	B	r min	da min	Da max	ra max	Cr	Cor	Grease	Oil	
6219-ZZ	95	170	32	2.1	106	159	2	114	81.5	3100		2.6
6219-2RS		170	32	2.1	106	159	2	114	81.5	2400		2.6
6319	200	200	45	3.0	109	186	2.5	159	118	3200	3800	5.65
6319-ZZ		200	45	3.0	109	186	2.5	159	118	2700		5.65
61820	100	125	13	1.0	105	120	1	19.6	23.0	4800	5600	0.310
61820-ZZ		125	13	1.0	105	120	1	19.6	23.0	4100		0.310
61820-2RS		125	13	1.0	105	120	1	19.6	23.0	2800		0.310
61920	140	140	20	1.1	106.5	133.5	1	43.0	42.0	4500	5300	0.828
61920-ZZ		140	20	1.1	106.5	133.5	1	43.0	42.0	3800		0.828
61920-2RS		140	20	1.1	106.5	133.5	1	43.0	42.0	2600		0.828
16020	150	150	16	1.0	105	145	1	46.2	44	4300	5000	0.91
6020		150	24	1.5	107	143	1.5	63.7	54	4300	5000	1.25
6020-ZZ		150	24	1.5	107	143	1.5	63.7	54	3700		1.25
6020-2RS	150	24	1.5	107	143	1.5	63.7	54	2600		1.25	
6220	180	180	34	2.1	111	169	2	127	93	3400	4000	3.15
6220-ZZ		180	34	2.1	111	169	2	127	93	2900		3.15
6220-2RS		180	34	2.1	111	169	2	127	93	2400		3.15
6320	215	215	47	3	114	201	2.5	174	140	3000	3600	7
6320-ZZ		215	47	3	114	201	2.5	174	140	2600		7

Single row deep groove ball bearings with snap groove and ring



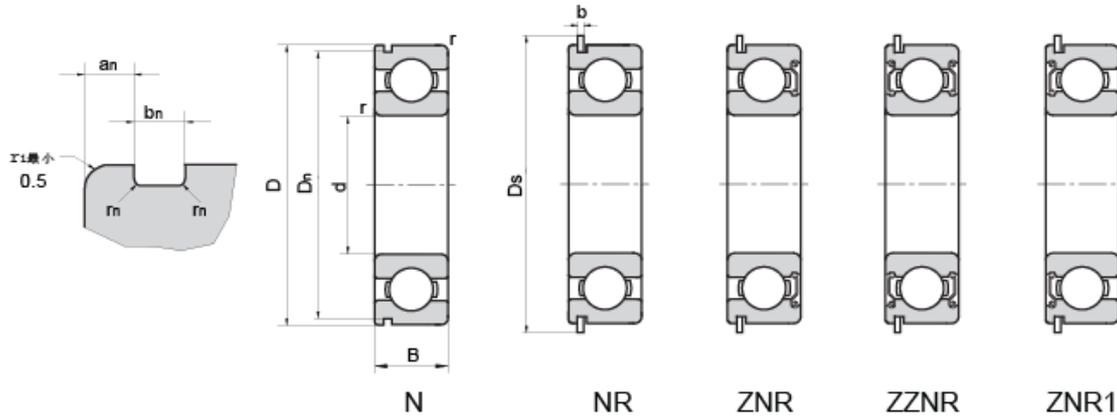
Bearing number		Dimensions (mm)				Snap ring groove dimensions (mm)						Basic load ratings (KN)		Limiting speed (r/min)		Mass (kg)
		d	D	B	r min	Ds	b	Dn	an	bn	rn max	Cr	Cor	Grease	Oil	
61900 N	61900 NR	10	22	6	0.3	24.8	0.7	20.8	1.05	0.8	0.2	2.7	1.27	32000	38000	0.009
6000 N	6000 NR		26	8	0.3	28.7	0.84	24.5	1.35	0.87	0.2	4.55	1.97	30000	36000	0.018
6200 N	6200 NR		30	9	0.6	34.7	1.12	28.17	2.06	1.35	0.4	5.1	2.39	24000	30000	0.031
6300 N	6300 NR		35	11	0.6	39.7	1.12	33.17	2.06	1.35	0.4	8.1	3.45	22000	26000	0.051
61901 N	61901 NR	12	24	6	0.3	26.8	0.7	22.8	1.05	0.8	0.2	2.89	1.46	30000	36000	0.010
6001 N	6001 NR		28	8	0.3	30.7	0.84	26.5	1.35	0.87	0.2	5.1	2.37	28000	32000	0.022
6201 N	6201 NR		32	10	0.6	36.7	1.12	30.15	2.06	1.35	0.4	6.8	3.05	22000	28000	0.037
6301 N	6301 NR		37	12	1	41.3	1.12	34.77	2.06	1.35	0.4	9.7	4.2	20000	24000	0.060
61902 N	61902 NR	15	28	7	0.3	30.8	0.85	26.7	1.3	0.95	0.25	4.35	2.26	26000	30000	0.015
6002 N	6002 NR		32	9	0.3	36.7	1.12	30.15	2.06	1.35	0.4	5.6	2.83	24000	28000	0.031
6202 N	6202 NR		35	11	0.6	39.7	1.12	33.17	2.06	1.35	0.4	7.65	3.75	20000	24000	0.045
6302 N	6302 NR		42	13	1	46.3	1.12	39.75	2.06	1.35	0.4	11.4	5.45	17000	20000	0.083
61903 N	61903 NR	17	30	7	0.3	32.8	0.85	28.7	1.3	0.95	0.25	4.6	2.25	24000	28000	0.017
6003 N	6003 NR		35	10	0.3	39.7	1.12	33.17	2.06	1.35	0.4	6	3.25	22000	26000	0.041
6203 N	6203 NR		40	12	0.6	44.6	1.12	38.1	2.06	1.35	0.4	9.55	4.8	17000	20000	0.067
6303 N	6303 NR		47	14	1	52.7	1.12	44.6	2.46	1.35	0.4	13.6	6.65	15000	18000	0.113
61804 N	61804 NR	20	32	7	0.3	34.8	0.85	30.7	1.3	0.95	0.25	4.0	2.47	22000	26000	0.017
61904 N	61904 NR		37	9	0.3	39.8	0.85	35.7	1.7	0.95	0.25	6.4	3.7	19000	22000	0.037
6004 N	6004 NR		42	12	0.6	46.3	1.12	39.75	2.06	1.35	0.4	9.4	5	17000	20000	0.065
6204 N	6204 NR		47	14	1	52.7	1.12	44.6	2.46	1.35	0.4	12.8	6.6	15000	18000	0.105
6304 N	6304 NR		52	15	1.1	57.9	1.12	49.73	2.46	1.35	0.4	15.9	7.8	13000	16000	0.148
61805 N	61805 NR	25	37	7	0.3	39.8	0.85	35.7	1.3	0.95	0.25	4.3	2.95	18000	22000	0.021
61905 N	61905 NR		42	9	0.3	44.8	0.85	40.7	1.7	0.95	0.25	7.1	4.6	16000	19000	0.042
6005 N	6005 NR		47	12	0.6	52.7	1.12	44.6	2.06	1.35	0.4	10.1	5.8	15000	18000	0.077
6205 N	6205 NR		52	15	1	57.9	1.12	49.73	2.46	1.35	0.4	14	7.8	12000	15000	0.125
6305 N	6305 NR		62	17	1.1	67.7	1.7	59.61	3.28	1.9	0.6	22.4	11.5	11000	14000	0.232
61806 N	61806 NR	30	42	7	0.3	44.8	0.85	40.7	1.3	0.95	0.25	4.7	3.65	15000	18000	0.024
61906 N	61906 NR		47	9	0.3	49.8	0.85	45.7	1.7	0.95	0.25	7.25	5.0	14000	17000	0.052
6006 N	6006 NR		55	13	1	60.7	1.12	52.6	2.08	1.35	0.4	13.2	8.2	12000	15000	0.115
6206 N	6206 NR		62	16	1	67.7	1.7	59.61	3.28	1.9	0.6	19.4	11.2	10000	13000	0.192
6306 N	6306 NR		72	19	1.1	78.6	1.7	68.81	3.28	1.9	0.6	28.1	15.8	9000	11000	0.348

Single row deep groove ball bearings with snap groove and ring



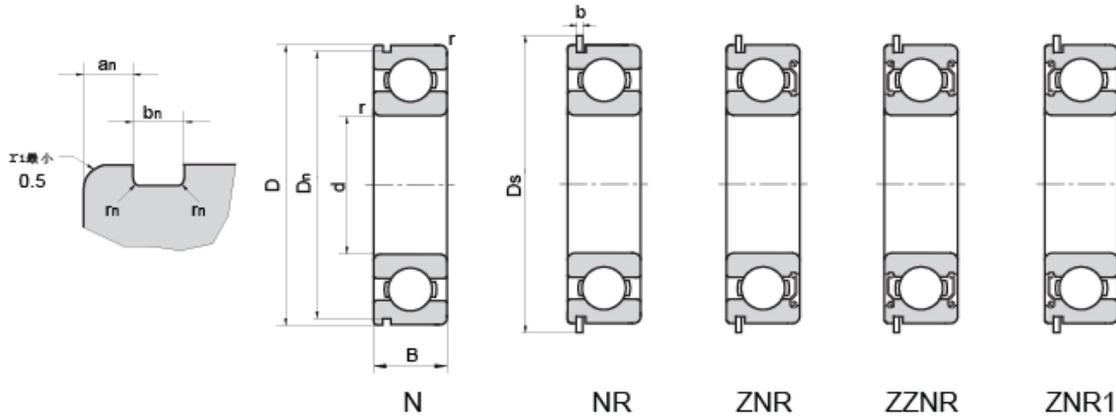
Bearing number		Dimensions (mm)				Snap ring groove dimensions (mm)						Basic load ratings (KN)		Limiting speed (r/min)		Mass (kg)
		d	D	B	r min	Ds	b	Dn	an	bn	rn max	Cr	Cor	Grease	Oil	
61807 N	61807 NR	35	47	7	0.3	49.8	0.85	45.7	1.3	0.95	0.25	4.9	4.1	14000	16000	0.027
61907 N	61907 NR		55	10	0.6	57.8	0.85	53.7	1.7	0.95	0.25	10.6	7.25	12000	15000	0.075
6007 N	6007 NR		62	14	1	67.7	1.7	59.61	2.08	1.9	0.6	15.9	10.2	10000	13000	0.151
6207 N	6207 NR		72	17	1.1	78.6	1.7	68.81	3.28	1.9	0.6	25.6	15.2	9000	11000	0.288
6307 N	6307 NR		80	21	1.5	86.6	1.7	76.81	3.28	1.9	0.6	33.4	19.2	8500	10000	0.458
6407 N	6407 NR		100	25	1.5	106.5	2.46	96.8	3.28	2.7	1.5	55.3	31	7000	8500	0.95
61808 N	61808 NR	40	52	7	0.3	54.8	0.85	50.7	1.3	0.95	0.25	6.35	5.55	12000	14000	0.031
61908 N	61908 NR		62	12	0.6	64.8	0.85	60.7	1.7	0.95	0.25	13.7	10.0	11000	13000	0.112
6008 N	6008 NR		68	15	1	74.6	1.7	64.82	2.49	1.9	0.6	16.8	11.5	9500	12000	0.188
6208 N	6208 NR		80	18	1.1	86.6	1.7	76.81	3.28	1.9	0.6	32.6	19.8	8500	10000	0.366
6308 N	6308 NR		90	23	1.5	96.5	2.46	86.79	3.28	2.7	0.6	40.7	24	7500	9000	0.632
6408 N	6408 NR		110	27	2	116.6	2.46	106.8	3.28	2.7	0.6	63.7	36.5	6700	8000	1.25
61809 N	61809 NR	45	58	7	0.3	60.8	0.85	56.7	1.3	0.95	0.25	6.6	6.15	11000	13000	0.038
61909 N	61909 NR		68	12	0.6	70.8	0.85	66.7	1.7	0.95	0.25	14.1	10.9	9500	12000	0.126
6009 N	6009 NR		75	16	1	81.6	1.7	71.83	2.49	1.9	0.6	21	15.2	9000	11000	0.231
6209 N	6209 NR		85	19	1.1	91.6	1.7	81.81	3.28	1.9	0.6	32.7	20.4	7500	9000	0.405
6309 N	6309 NR		100	25	1.5	106.5	2.46	96.8	3.28	2.7	0.6	52.8	31.8	6700	8000	0.848
6409 N	6409 NR		120	29	2	129.7	2.82	115.2	4.06	3.1	0.6	76.1	45	6000	7000	1.55
61810 N	61810 NR	50	65	7	0.3	67.8	0.85	63.7	1.3	0.95	0.25	6.4	6.2	9500	11000	0.050
61910 N	61910 NR		72	12	0.6	74.8	0.85	70.7	1.7	0.95	0.25	14.5	11.7	9000	11000	0.135
6010 N	6010 NR		80	16	1	86.6	1.7	76.81	2.49	1.9	0.6	20.8	15.4	8500	10000	0.261
6210 N	6210 NR		90	20	1.1	96.5	2.46	86.79	3.28	2.7	0.6	35	23.1	7000	8500	0.453
6310 N	6310 NR		110	27	2	116.6	2.46	106.8	3.28	2.7	0.6	61.8	37.9	6300	7500	1.100
6410 N	6410 NR		130	31	2.1	139.7	2.82	125.2	4.06	3.1	0.6	87.1	52	5300	6300	1.9
61811 N	61811 NR	55	72	9	0.3	74.8	0.85	70.7	1.7	0.95	0.25	8.8	8.5	8500	10000	0.081
61911 N	61911 NR		80	13	1.0	84.4	1.12	77.9	2.1	1.3	0.4	16.0	13.3	8000	9500	0.189
6011 N	6011 NR		90	18	1.1	96.5	2.46	86.79	2.87	2.7	0.6	30.8	22.4	7500	9000	0.377
6211 N	6211 NR		100	21	1.5	106.5	2.46	96.8	3.28	2.7	0.6	43.3	29.2	6300	7500	0.607
6311 N	6311 NR		120	29	2	129.7	2.82	115.2	4.06	3.1	0.6	71.6	44.8	5600	6700	1.390
6411 N	6411 NR		140	33	2.1	149.7	2.82	135.2	4.9	3.1	0.6	99.5	62	5000	6000	2.3
61812 N	61812 NR	60	78	10	0.3	82.7	1.12	76.2	1.7	1.3	0.4	11.5	10.9	8000	9500	0.103
61912 N	61912 NR		85	13	1.0	89.4	1.12	82.9	2.1	1.3	0.4	19.4	16.3	7500	9000	0.192

Single row deep groove ball bearings with snap groove and ring



Bearing number		Dimensions (mm)				Snap ring groove dimensions (mm)						Basic load ratings (KN)		Limiting speed (r/min)		Mass (kg)
		d	D	B	r min	Ds	b	Dn	an	bn	r _n max	Cr	Cor	Grease	Oil	
6012 N	6012 NR	60	95	18	1.1	101.6	2.46	91.82	2.87	2.7	0.6	31.7	24.2	6700	8000	0.410
6212 N	6212 NR		110	22	1.5	116.6	2.46	106.8	3.28	2.7	0.6	47.7	32.9	6000	7000	0.783
6312 N	6312 NR		130	31	2.1	139.7	2.82	125.2	4.06	3.1	0.6	81.8	51.8	5000	6000	1.720
6412 N	6412 NR		150	35	2.1	159.7	2.82	145.2	4.9	3.1	0.6	108	69.5	4800	5600	2.75
61813 N	61813 NR	65	85	10	0.6	89.4	1.12	82.9	1.7	1.3	0.4	11.9	12.1	7500	8500	0.128
61913 N	61913 NR		90	13	1.0	94.4	1.12	87.9	2.1	1.3	0.4	17.4	16.1	7100	8500	0.218
6013 N	6013 NR		100	18	1.1	106.5	2.46	96.8	2.87	2.7	0.6	32.1	24.9	6300	7500	0.436
6213 N	6213 NR		120	23	1.5	129.7	2.82	115.2	4.06	3.1	0.6	57.2	40	5300	6300	0.982
6313 N	6313 NR		140	33	2.1	149.7	2.82	135.2	4.9	3.1	0.6	97.5	60	4800	5600	2.1
6413 N	6413 NR		160	37	2.1	169.7	2.82	155.2	4.9	3.1	0.6	119	78	4500	5300	3.3
61814 N	61814 NR	70	90	10	0.6	94.4	1.12	87.9	1.7	1.3	0.4	12.1	12.7	6700	8000	0.134
61914 N	61914 NR		100	16	1.0	104.4	1.12	97.9	2.5	1.3	0.4	23.7	21.2	6300	7500	0.349
6014 N	6014 NR		110	20	1.1	116.6	2.46	106.8	2.87	2.7	0.6	38.6	30.4	6000	7000	0.604
6214 N	6214 NR		125	24	1.5	134.7	2.82	120.2	4.06	3.1	0.6	62.2	44	5000	6000	1.080
6314 N	6314 NR		150	35	2.1	159.7	2.82	145.2	4.9	3.1	0.6	111	68	4500	5300	2.5
61815 N	61815 NR	75	95	10	0.6	99.4	1.12	92.9	1.7	1.3	0.4	12.5	13.9	6300	7500	0.149
61915 N	61915 NR		105	16	1.0	110.7	1.12	102.6	2.5	1.3	0.4	24.4	22.6	6000	7100	0.364
6015 N	6015 NR		115	20	1.1	121.6	2.46	111.8	2.87	2.7	0.6	40.2	33.2	5600	6700	0.634
6215 N	6215 NR		130	25	1.5	139.7	2.82	125.2	4.06	3.1	0.6	66.1	49.5	4800	5600	1.210
6315 N	6315 NR		160	37	2.1	169.7	2.82	155.2	4.9	3.1	0.6	119	76.5	4300	5000	3
61816 N	61816 NR	80	100	10	0.6	104.4	1.12	97.9	1.7	1.3	0.4	12.7	14.5	6000	7100	0.151
61916 N	61916 NR		110	16	1.0	115.7	1.12	107.6	2.5	1.3	0.4	25.0	24.0	5600	6700	0.391
6016 N	6016 NR		125	22	1.1	134.7	2.82	120.2	2.87	3.1	0.6	49.4	40	5300	6300	0.85
6216 N	6216 NR		140	26	2	149.7	2.82	135.2	4.9	3.1	0.6	72.8	55	4500	5300	1.4
61817 N	61817 NR	85	110	13	1.0	115.7	1.12	107.6	2.1	1.3	0.4	18.7	20.0	5600	6700	0.263
61917 N	61917 NR		120	18	1.1	125.7	1.12	117.6	3.3	1.3	0.4	32.0	29.6	5300	6300	0.55
6017 N	6017 NR		130	22	1.1	139.7	2.82	125.2	2.87	3.1	0.6	52	43	5000	6000	0.89
6217 N	6217 NR		150	28	2	159.7	2.82	145.2	4.9	3.1	0.6	87.1	64	4300	5000	1.8
61818 N	61818 NR	90	115	13	1.0	120.7	1.12	112.6	2.1	1.3	0.4	19.0	21.0	5300	6300	0.276
61918 N	61918 NR		125	18	1.1	130.7	1.12	122.6	3.3	1.3	0.4	33.0	31.5	5000	6000	0.585
6018 N	6018 NR		140	24	1.5	149.7	2.82	135.2	3.71	3.1	0.6	60.5	50	4800	5600	1.15
6218 N	6218 NR		160	30	2	169.7	2.82	155.2	4.9	3.1	0.6	101	73.5	3800	4500	2.15

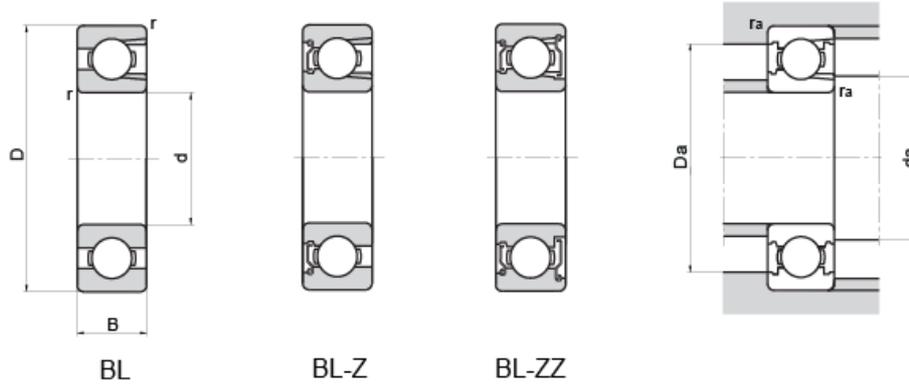
Single row deep groove ball bearings with snap groove and ring



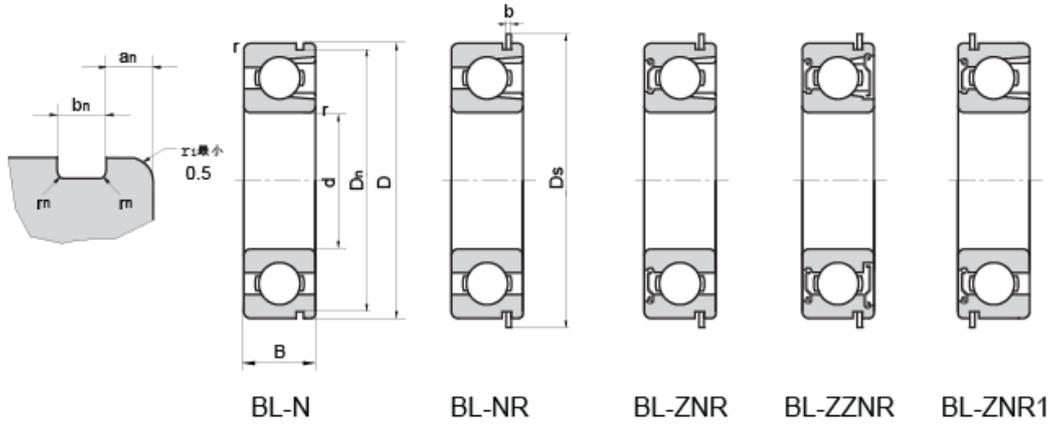
Bearing number		Dimensions (mm)				Snap ring groove dimensions (mm)						Basic load ratings (KN)		Limiting speed (r/min)		Mass (kg)
		d	D	B	r min	Ds	b	Dn	an	bn	rn max	Cr	Cor	Grease	Oil	
61819 N	61819 NR	95	120	13	1.0	125.7	1.12	117.6	2.1	1.3	0.4	19.3	22.0	5000	6000	0.297
61919 N	61919 NR		130	18	1.1	135.7	1.12	127.6	3.3	1.3	0.4	33.5	33.5	4800	5600	0.601
6219 N	6219 NR		170	32	2.1	182.9	3.1	163.7	5.69	3.5	0.6	114	81.5	3600	4300	2.6
61820 N	61820 NR	100	125	13	1.0	130.7	1.12	122.6	2.1	1.3	0.4	19.6	23.0	4800	5600	0.310
61920 N	61920 NR		140	20	1.1	145.7	1.7	137.6	3.3	1.9	0.6	43.0	42.0	4500	5300	0.828
6020 N	6020 NR		150	24	1.5	159.7	2.82	145.2	3.71	3.1	0.6	63.7	54	4300	5000	1.25
6220 N	6220 NR		180	34	2.1	192.9	3.1	173.7	5.69	3.5	0.6	127	93	3400	4000	3.15



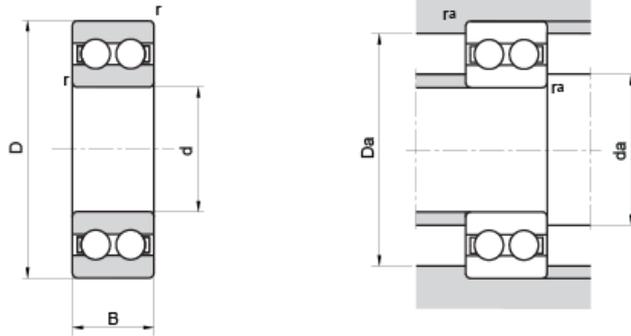
Single row deep groove ball bearings with filling slots



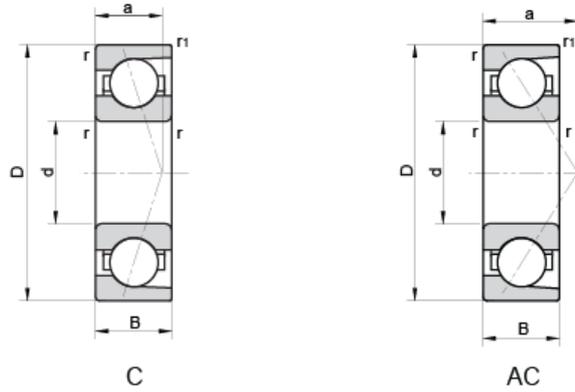
Bearing number			Dimensions (mm)				Mounting dimensions (mm)			Basic load ratings (KN)		Limiting speed (r/min)		Mass (kg)
			d	D	B	r min	da min	Da max	ra max	Cr	Cor	Grease	Oil	
BL305	BL305-Z	BL305-ZZ	25	62	17	1.1	31.5	55.5	1	22.9	15.6	8000	12000	0.24
BL206	BL206-Z	BL206-ZZ	30	62	16	1	35	57	1	22.9	17.3	7500	11000	0.21
BL306	BL306-Z	BL306-ZZ		72	19	1.1	36.5	65.5	1	29.2	20.8	6700	9500	0.37
BL207	BL207-Z	BL207-ZZ	35	72	17	1.1	41.5	65.5	1	29.7	22.8	6700	9500	0.31
BL307	BL307-Z	BL307-ZZ		80	21	1.5	43	72	1.5	39.1	28.5	6000	8500	0.48
BL208	BL208-Z	BL208-ZZ	40	80	18	1.1	46.5	73.5	1	33.6	26.5	6000	8500	0.39
BL308	BL308-Z	BL308-ZZ		90	23	1.5	48	82	1.5	46.8	36	5300	7500	0.64
BL209	BL209-Z	BL209-ZZ	45	85	19	1.1	51.5	78.5	1	39.6	32.5	5300	7500	0.44
BL309	BL309-Z	BL309-ZZ		100	25	1.5	53	92	1.5	59.4	46.5	5000	7000	0.88
BL210	BL210-Z	BL210-ZZ	50	90	20	1.1	56.5	83.5	1	39.1	34.5	5000	7000	0.5
BL310	BL310-Z	BL310-ZZ		110	27	2	59	101	2	64.4	52	4500	6300	1.15
BL211	BL211-Z	BL211-ZZ	55	100	21	1.5	63	92	1.5	48.4	44	4500	6300	0.66
BL311	BL311-Z	BL311-ZZ		120	29	2	64	111	2	79.2	67	4000	5600	1.5
BL212	BL212-Z	BL212-ZZ	60	110	22	1.5	68	102	1.5	56.1	50	4300	6000	0.85
BL312	BL312-Z	BL312-ZZ		130	31	2.1	71	119	2	91.3	78	3800	5300	1.85
BL213	BL213-Z	BL213-ZZ	65	120	23	1.5	73	112	1.5	60.5	58.5	3800	5300	1.05
BL313	BL313-Z	BL313-ZZ		140	33	2.1	76	129	2	102	90	3400	4800	2.3
BL214	BL214-Z	BL214-ZZ	70	125	24	1.5	78	117	1.5	66	65.5	3600	5000	1.15
BL314	BL314-Z	BL314-ZZ		150	35	2.1	81	139	2	114	102	3200	4500	2.75
BL215	BL215-Z	BL215-ZZ	75	130	25	1.5	83	122	1.5	72.1	72	3400	4800	1.25
BL315	BL315-Z	BL315-ZZ		160	37	2.1	86	149	2	125	116	3000	4300	3.25
BL216	BL216-Z	BL216-ZZ	80	140	26	2	89	131	2	88	85	3200	4500	1.55
BL316	BL316-Z	BL316-ZZ		170	39	2.1	91	159	2	138	129	2800	4000	3.95
BL217	BL217-Z	BL217-ZZ	85	150	28	2	94	141	2	96.8	100	3000	4300	1.95
BL317	BL317-Z	BL317-ZZ		180	41	3	98	167	2.5	147	146	2600	3800	4.6
BL218	BL218-Z	BL218-ZZ	90	160	30	2	99	151	2	112	114	2800	4000	2.35
BL318	BL318-Z	BL318-ZZ		190	43	3	103	177	2.5	157	160	2200	3400	5.4
BL219	BL219-Z	BL219-ZZ	95	170	32	2.1	106	159	2	121	122	2600	3800	2.7
BL220	BL220-Z	BL220-ZZ	100	180	34	2.1	111	169	2	134	140	2200	3400	3.45



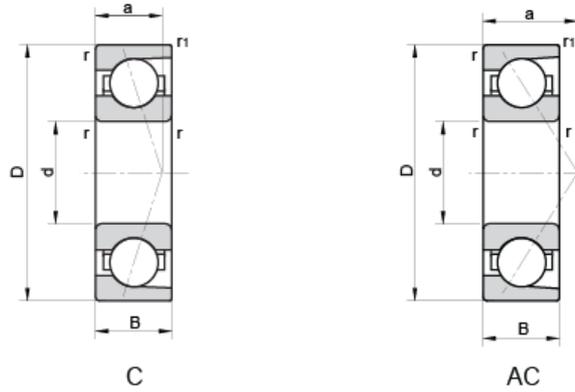
Bearing number		Dimensions (mm)				Snap ring groove dimensions (mm)						Basic load ratings (KN)		Limiting speed (r/min)		Mass (kg)
		d	D	B	r min	Ds	b	Dn	an	bn	rn max	Cr	Cor	Grease	Oil	
BL305 N	BL305 NR	25	62	17	1.1	67.7	1.7	59.61	3.28	1.9	0.6	23	16	8000	12000	0.24
BL206 N	BL206 NR	30	62	16	1	67.7	1.7	59.61	3.28	1.9	0.6	22.9	17.3	7500	11000	0.21
BL306 N	BL306 NR		72	19	1.1	78.6	1.7	68.81	3.28	1.9	0.6	29.2	20.8	6700	9500	0.37
BL207 N	BL207 NR	35	72	17	1.1	78.6	1.7	68.81	3.28	1.9	0.6	29.7	22.8	6700	9500	0.31
BL307 N	BL307 NR		80	21	1.5	86.6	1.7	76.81	3.28	1.9	0.6	39.1	28.5	6000	8500	0.48
BL208 N	BL208 NR	40	80	18	1.1	86.6	1.7	76.81	3.28	1.9	0.6	33.6	26.5	6000	8500	0.39
BL308 N	BL308 NR		90	23	1.5	96.5	2.46	86.79	3.28	2.7	0.6	46.8	36	5300	7500	0.64
BL209 N	BL209 NR	45	85	19	1.1	91.6	1.7	81.81	3.28	1.9	0.6	39.6	32.5	5300	7500	0.44
BL309 N	BL309 NR		100	25	1.5	106.5	2.46	96.8	3.28	2.7	0.6	59.4	46.5	5000	7000	0.88
BL210 N	BL210 NR	50	90	20	1.1	96.5	2.46	85.79	3.28	2.7	0.6	39.1	34.5	5000	7000	0.5
BL310 N	BL310 NR		110	27	2	116.6	2.46	106.81	3.28	2.7	0.6	64.4	52	4500	6300	1.15
BL211 N	BL211 NR	55	100	21	1.5	106.5	2.46	96.8	3.28	2.7	0.6	48.4	44	4500	6300	0.66
BL311 N	BL311 NR		120	29	2	129.7	2.82	115.21	4.06	3.1	0.6	79.2	67	4000	5600	1.5
BL212 N	BL212 NR	60	110	22	1.5	116.6	2.46	106.81	3.28	2.7	0.6	56.1	50	4300	6000	0.85
BL312 N	BL312 NR		130	31	2.1	139.7	2.82	125.22	4.06	3.1	0.6	91.3	78	3800	5300	1.85
BL213 N	BL213 NR	65	120	23	1.5	129.7	2.82	115.21	4.06	3.1	0.6	60.5	58.5	3800	5300	1.05
BL313 N	BL313 NR		140	33	2.1	149.7	2.82	135.23	4.9	3.1	0.6	102	90	3400	4800	2.3
BL214 N	BL214 NR	70	125	24	1.5	134.7	2.82	120.22	4.06	3.1	0.6	66	65.5	3600	5000	1.15
BL314 N	BL314 NR		150	35	2.1	159.7	2.82	145.24	4.9	3.1	0.6	114	102	3200	4500	2.75
BL215 N	BL215 NR	75	130	25	1.5	139.7	2.82	125.22	4.06	3.1	0.6	72.1	72	3400	4800	1.25
BL216 N	BL216 NR	80	140	26	2	149.7	2.82	135.23	4.9	3.1	0.6	88	85	3200	4500	1.55
BL217 N	BL217 NR	85	150	28	2	159.7	2.82	145.24	4.9	3.1	0.6	96.8	100	3000	4300	1.95
BL218 N	BL218 NR	90	160	30	2	169.7	2.82	155.22	4.9	3.1	0.6	112	114	2800	4000	2.35
BL219 N	BL219 NR	95	170	32	2.1	182.9	3.1	163.65	5.69	3.5	0.6	121	122	2600	3800	2.7



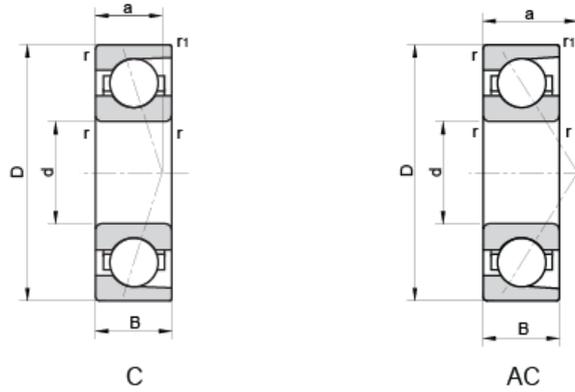
Bearing number	Dimensions (mm)				Mounting dimensions (mm)			Basic load ratings (KN)		Limiting speed (r/min)		Mass (kg)
	d	D	B	r min	da min	Da max	ra max	Cr	Cor	Grease	Oil	
4202 4302	15	35 42	14 17	0.6 1.0	19 20	31 37	0.6 1	11.9 14.8	7.5 9.5	14000 12000	17000 15000	0.059 0.12
4203 4303	17	40 47	16 19	0.6 1.0	21 22	36 42	0.6 1	14.8 19.5	9.5 13.2	12000 10000	15000 13000	0.09 0.16
4204 4304	20	47 52	18 21	1.0 1.1	25 26.5	42 45.5	1 1	17.8 23.4	12.5 16.0	10000 9500	13000 12000	0.14 0.21
4205 4305	25	52 62	18 24	1.0 1.1	30 31.5	47 55.5	1 1	19.0 31.9	14.6 22.4	9000 8500	11000 10000	0.16 0.34
4206 4306	30	62 72	20 27	1.0 1.1	35 36.5	57 65.5	1 1	26.0 41.0	20.8 30.0	8000 7000	9500 8500	0.26 0.50
4207 4307	35	72 80	23 31	1.1 1.5	41.5 43	65.5 72	1 1.5	35.1 50.7	28.5 38.0	6700 6300	8000 7500	0.40 0.69
4208 4308	40	80 90	23 33	1.1 1.5	46.5 48	73.5 82	1 1.5	37.1 55.9	32.5 45.0	6000 5600	7000 6700	0.50 0.95
4209 4309	45	85 100	23 36	1.1 1.5	51.5 53	78.5 92	1 1.5	39.0 68.9	36.0 56.0	5600 5000	6700 6000	0.54 1.25
4210 4310	50	90 110	23 40	1.1 2.0	56.5 59	83.5 101	1 2	41.0 81.9	40.0 69.5	5000 4500	6000 5300	0.58 1.70
4211 4311	55	100 120	25 43	1.5 2.0	63 64	92 111	1.5 2	44.9 97.5	44.0 83	4800 4300	5600 5000	0.80 2.15
4212 4312	60	110 130	28 46	1.5 2.1	68 71	102 119	1.5 2	57.2 112.0	55.0 98.0	4500 3800	5300 4500	1.10 2.65
4213 4313	65	120 140	31 48	1.5 2.1	73 76	112 129	1.5 2	67.6 121.0	67.0 106.0	4000 3600	4800 4300	1.45 3.25
4214 4314	70	125 150	31 51	1.5 2.1	78 81	117 139	1.5 2	70.2 138.0	73.5 125.0	3600 3200	4300 3800	1.50 3.95
4215 4315	75	130 160	31 55	1.5 2.1	83 86	122 149	1.5 2	72.8 156.0	80.0 143.0	3400 3000	4000 3600	1.60 4.80
4216	80	140	33	2.0	89	131	2	80.6	90.0	3200	3800	2.00
4217	85	150	36	2.0	94	141	2	93.6	102.0	3000	3600	2.55
4218	90	160	40	2.0	99	151	2	112.0	122.0	2800	3400	3.20
4220	100	180	46	2.1	111	169	2	140.0	156.0	2400	3000	4.70



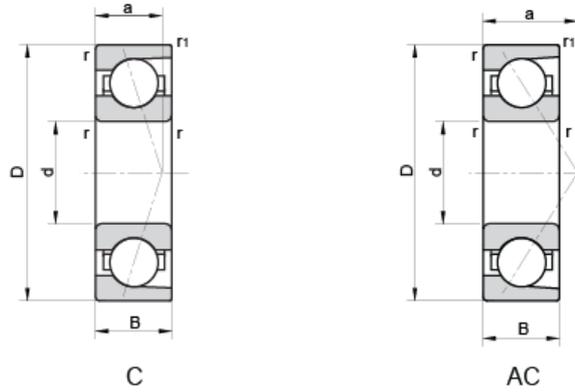
Bearing number	Dimensions (mm)						Basic load ratings (KN)		Limiting speed (r/min)		Mass (kg)
	d	D	B	r min	r ₁ min	a	Cr	Cor	Grease	Oil	
71900C	10	22	6	0.3	0.15	5	3.9	1.8	70000	110000	0.01
71900AC		22	6	0.3	0.15	7	3.75	1.73	63000	95000	0.01
7000C		26	8	0.3	0.3	6	5.3	2.5	60000	90000	0.02
7000AC		26	8	0.3	0.3	8	5.1	2.4	56000	85000	0.02
7200C		30	9	0.6	0.6	7	6.95	3.35	56000	85000	0.03
7200AC		30	9	0.6	0.6	9	6.8	3.25	50000	75000	0.03
71901C	12	24	6	0.3	0.15	5	4.5	2.28	60000	90000	0.01
71901AC		24	6	0.3	0.15	7	4.3	2.2	56000	85000	0.01
7001C		28	8	0.3	0.3	7	5.85	2.9	56000	85000	0.02
7001AC		28	8	0.3	0.3	9	5.6	2.8	50000	75000	0.02
7201C		32	10	0.6	0.6	8	8	3.9	50000	75000	0.04
7201AC		32	10	0.6	0.6	10	7.65	3.75	45000	67000	0.04
71902C	15	28	7	0.3	0.15	6	5	2.9	50000	75000	0.02
71902AC		28	7	0.3	0.15	9	4.8	2.75	48000	70000	0.02
7002C		32	9	0.3	0.3	8	6.2	3.4	48000	70000	0.03
7002AC		32	9	0.3	0.3	10	6	3.25	43000	63000	0.03
7202C		35	11	0.6	0.6	9	9.65	5	45000	67000	0.04
7202AC		35	11	0.6	0.6	11	9.3	4.8	40000	60000	0.04
71903C	17	30	7	0.3	0.15	7	5.3	3.15	48000	70000	0.02
71903AC		30	7	0.3	0.15	9	5	3	43000	63000	0.02
7003C		35	10	0.3	0.3	8	8.65	4.9	43000	63000	0.04
7003AC		35	10	0.3	0.3	11	8.3	4.75	38000	56000	0.04
7203C		40	12	0.6	0.6	10	10.8	5.85	38000	56000	0.06
7203AC		40	12	0.6	0.6	13	10.4	5.6	36000	53000	0.06
71904C	20	37	9	0.3	0.15	8	9.15	5.5	38000	56000	0.03
71904AC		37	9	0.3	0.15	11	8.8	5.3	36000	53000	0.03
7004C		42	12	0.6	0.6	10	10.4	6	36000	53000	0.07
7004AC		42	12	0.6	0.6	13	10	5.7	32000	48000	0.07
7204C		47	14	1	1	12	14.6	8.15	32000	48000	0.1
7204AC		47	14	1	1	15	14	7.8	30000	45000	0.1
71905C	25	42	9	0.3	0.15	9	10	6.7	32000	48000	0.04
71905AC		42	9	0.3	0.15	12	9.5	6.4	30000	45000	0.04
7005C		47	12	0.6	0.6	11	14.6	9.15	30000	45000	0.08
7005AC		47	12	0.6	0.6	14	13.7	8.65	28000	43000	0.08
7205C		52	15	1	1	13	15.6	9.3	28000	43000	0.12
7205AC		52	15	1	1	16	15	9	26000	40000	0.12



Bearing number	Dimensions (mm)						Basic load ratings (KN)		Limiting speed (r/min)		Mass (kg)
	d	D	B	r min	r ₁ min	a	Cr	Cor	Grease	Oil	
71906C	30	47	9	0.3	0.15	10	10.8	7.8	28000	43000	0.05
71906AC		47	9	0.3	0.15	13	10.2	7.35	26000	40000	0.05
7006C		55	13	1	1	12	15	10.2	26000	40000	0.11
7006AC		55	13	1	1	17	14.3	9.8	24000	38000	0.11
7206C		62	16	1	1	14	23.2	14.6	24000	38000	0.19
7206AC		62	16	1	1	19	22	14	22000	36000	0.19
71907C	35	55	10	0.6	0.3	11	14.3	10.8	24000	38000	0.07
71907AC		55	10	0.6	0.3	16	13.4	10.4	22000	36000	0.07
7007C		62	14	1	1	13	19	13.7	22000	36000	0.15
7007AC		62	14	1	1	18	18.3	12.9	20000	34000	0.15
7207C		72	17	1.1	1.1	16	30.5	20	20000	34000	0.28
7207AC		72	17	1.1	1.1	21	29	19	19000	32000	0.28
71908C	40	62	12	0.6	0.3	13	17.6	13.7	22000	36000	0.11
71908AC		62	12	0.6	0.3	18	16.6	13.2	20000	34000	0.11
7008C		68	15	1	1	15	20.4	16	20000	34000	0.19
7008AC		68	15	1	1	20	19.6	15	19000	32000	0.19
7208C		80	18	1.1	1.1	17	32	22.4	18000	30000	0.37
7208AC		80	18	1.1	1.1	23	30.5	21.2	17000	28000	0.37
71909C	45	68	12	0.6	0.3	14	18.6	15.6	19000	32000	0.13
71909AC		68	12	0.6	0.3	19	17.6	15	18000	30000	0.13
7009C		75	16	1	1	16	27.5	21.2	18000	30000	0.23
7009AC		75	16	1	1	22	26.5	20	17000	28000	0.23
7209C		85	19	1.1	1.1	18	40.5	29	17000	28000	0.41
7209AC		85	19	1.1	1.1	25	39	27.5	15000	24000	0.41
71910C	50	72	12	0.6	0.3	14	19	16.6	18000	30000	0.13
71910AC		72	12	0.6	0.3	20	18	15.6	16000	26000	0.13
7010C		80	16	1	1	17	28.5	22.8	17000	28000	0.25
7010AC		80	16	1	1	23	27	21.6	15000	24000	0.25
7210C		90	20	1.1	1.1	19	43	31.5	16000	26000	0.46
7210AC		90	20	1.1	1.1	26	40.5	30.5	14000	22000	0.46
71911C	55	80	13	1	0.3	16	22.8	20.4	16000	26000	0.18
71911AC		80	13	1	0.3	22	21.6	19.3	15000	24000	0.18
7011C		90	18	1.1	1.1	19	38	31	15000	24000	0.37
7011AC		90	18	1.1	1.1	26	36	29	14000	22000	0.37
7211C		100	21	1.5	1.5	21	53	40	14000	22000	0.61
7211AC		100	21	1.5	1.5	29	50	38	13000	20000	0.61



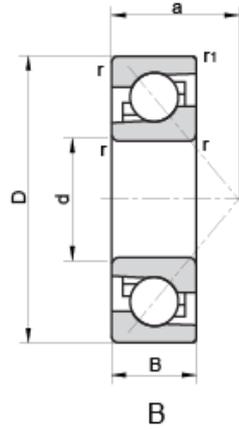
Bearing number	Dimensions (mm)						Basic load ratings (KN)		Limiting speed (r/min)		Mass (kg)
	d	D	B	r min	r ₁ min	a	Cr	Cor	Grease	Oil	
71912C	60	85	13	1	0.3	16	24	22.8	15000	24000	0.19
71912AC		85	13	1	0.3	23	22.8	21.6	14000	22000	0.19
7012C		95	18	1.1	1.1	19	39	33.5	14000	22000	0.4
7012AC		95	18	1.1	1.1	27	36.5	31.5	13000	20000	0.4
7212C		110	22	1.5	1.5	22	55	44	13000	20000	0.8
7212AC		110	22	1.5	1.5	31	52	42.5	12000	19000	0.8
71913C	65	90	13	1	0.3	17	24.5	24	14000	22000	0.2
71913AC		90	13	1	0.3	25	22.8	22.4	13000	20000	0.2
7013C		100	18	1.1	1.1	20	40	35.5	13000	20000	0.42
7013AC		100	18	1.1	1.1	28	38	33.5	13000	19000	0.42
7213C		120	23	1.5	1.5	24	67	54	12000	19000	1.02
7213AC		120	23	1.5	1.5	33	64	52	11000	18000	1.02
71914C	70	100	16	1	0.3	19	33.5	32.5	13000	20000	0.33
71914AC		100	16	1	0.3	28	31.5	31	12000	19000	0.33
7014C		110	20	1.1	1.1	22	50	43	12000	19000	0.59
7014AC		110	20	1.1	1.1	31	46.5	41.5	11000	18000	0.59
7214C		125	24	1.5	1.5	25	69.5	58.5	11000	18000	1.12
7214AC		125	24	1.5	1.5	35	65.5	56	10000	17000	1.12
71915C	75	105	16	1	0.3	20	34	34.5	12000	19000	0.35
71915AC		105	16	1	0.3	29	32	32.5	11000	18000	0.35
7015C		115	20	1.1	1.1	23	51	46.5	12000	19000	0.62
7015AC		115	20	1.1	1.1	32	48	44	11000	18000	0.62
7215C		130	25	1.5	1.5	26	72	63	11000	18000	1.21
7215AC		130	25	1.5	1.5	36	68	60	9500	16000	1.21
71916C	80	110	16	1	0.3	21	34.5	36	12000	19000	0.37
71916AC		110	16	1	0.3	30	32.5	34	11000	18000	0.37
7016C		125	22	1.1	1.1	25	63	58.5	11000	18000	0.84
7016AC		125	22	1.1	1.1	35	60	55	9500	16000	0.84
7216C		140	26	3	2	28	93	78	10000	17000	1.47
7216AC		140	26	3	2	39	88	73.5	9000	15000	1.47
71917C	85	120	18	1.1	0.6	23	45	46.5	11000	18000	0.53
71917AC		120	18	1.1	0.6	33	42.5	44	9500	16000	0.53
7017C		130	22	1.1	1.1	25	65.5	62	10000	17000	0.89
7017AC		130	22	1.1	1.1	36	62	58.5	9000	15000	0.89
7217C		150	28	2	2	30	96.5	85	9000	15000	1.85
7217AC		150	28	2	2	42	91.5	80	8000	13000	1.85



Bearing number	Dimensions (mm)						Basic load ratings (KN)		Limiting speed (r/min)		Mass (kg)
	d	D	B	r min	r ₁ min	a	Cr	Cor	Grease	Oil	
71918C	90	125	18	1.1	0.6	23	45.5	49	10000	17000	0.55
71918AC		125	18	1.1	0.6	34	43	46.5	9000	15000	0.55
7018C		140	24	1.5	1.5	27	76.5	72	9500	16000	1.15
7018AC		140	24	1.5	1.5	39	72	68	8500	14000	1.15
7218C		160	30	2	2	32	122	104	8500	14000	2.26
7218AC		160	30	2	2	44	116	100	7500	12000	2.26
71919C	95	130	18	1.1	0.6	24	46.5	51	9500	16000	0.58
71919AC		130	18	1.1	0.6	35	44	48	8500	14000	0.58
7019C		145	24	1.5	1.5	28	78	76.5	9000	15000	1.2
7019AC		145	24	1.5	1.5	40	75	72	8000	13000	1.2
7219C		170	32	2.1	2.1	34	127	114	8000	13000	2.78
7219AC		170	32	2.1	2.1	47	122	108	7000	11000	2.78
71920C	100	140	20	1.1	0.6	26	58.5	64	9000	15000	0.79
71920AC		140	20	1.1	0.6	38	55	60	8000	13000	0.79
7020C		150	24	1.5	1.5	29	81.5	81.5	8500	14000	1.26
7020AC		150	24	1.5	1.5	41	76.5	76.5	7500	12000	1.26
7220C		180	34	2.1	2.1	36	156	137	7500	12000	3.32
7220AC		180	34	2.1	2.1	50	150	129	6700	10000	3.32



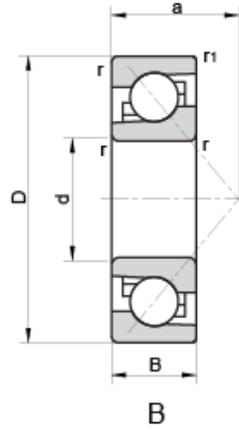
Single row angular contact ball bearings



Bearing number	Dimensions (mm)						Basic load ratings (KN)		Limiting speed (r/min)		Mass (kg)
	d	D	B	r min	r ₁ min	a	Cr	Cor	Grease	Oil	
7200B	10	30	9	0.6	0.3	13	5	2.5	32000	26000	0.028
7201B	12	32	10	0.6	0.3	14	6.95	3.4	28000	26000	0.036
7301B		37	12	1	0.6	16	10.6	5	24000	19000	0.059
7202B	15	35	11	0.6	0.3	16	8	4.3	24000	22000	0.045
7302B		42	13	1	0.6	18	12.9	6.55	20000	17000	0.09
7203B	17	40	12	0.6	0.6	18	10	5.5	20000	20000	0.07
7303B		47	14	1	0.6	20	16	8.3	18000	15000	0.113
7204B	20	47	14	1	0.6	21	13.4	7.65	18000	18000	0.103
7304B		52	15	1.1	0.6	23	19	10.4	17000	13000	0.147
7205B	25	52	15	1	0.6	24	14.6	9.3	16000	16000	0.127
7305B		62	17	1.1	0.6	27	26	15	14000	11000	0.221
7206B	30	62	16	1	0.6	27	20.4	13.4	13000	13000	0.207
7306B		72	19	1.1	0.6	31	32.5	20	11000	10000	0.342
7207B	35	72	17	1.1	0.6	31	27	18.3	11000	12000	0.295
7307B		80	21	1.5	1	35	39	25	9500	9000	0.447
7208B	40	80	18	1.1	0.6	34	32	23.2	9500	10000	0.377
7308B		90	23	1.5	1	39	50	32.5	8500	8500	0.657
7209B	45	85	19	1.1	0.6	37	36	26.5	8500	9500	0.43
7309B		100	25	1.5	1	43	60	40	7500	7500	0.821
7210B	50	90	20	1.1	0.6	39	37.5	28.5	8000	9000	0.485
7310B		110	27	2	1	47	69.5	47.5	7000	7000	1.05
7211B	55	100	21	1.5	1	43	46.5	36	7000	8500	0.645
7311B		120	29	2	2	51	78	56	6300	6700	1.36
7212B	60	110	22	1.5	1	47	56	44	6300	7500	0.779
7312B		130	31	2.1	1.1	55	90	65.5	5600	6300	1.72
7213B	65	120	23	1.5	1	50.5	64	53	6000	7000	0.975
7313B		140	33	2.1	1.1	60	102	75	5300	6000	2.1



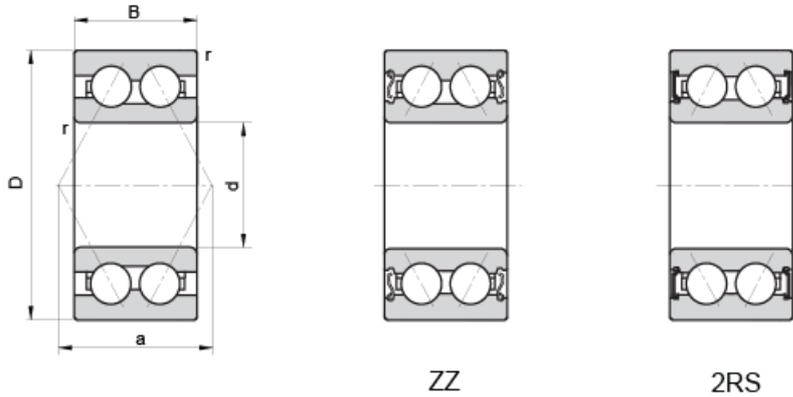
Single row angular contact ball bearings



Bearing number	Dimensions (mm)						Basic load ratings (KN)		Limiting speed (r/min)		Mass (kg)
	d	D	B	r min	r ₁ min	a	Cr	Cor	Grease	Oil	
7214B	70	125	24	1.5	1	53	69.5	58.5	5600	6700	1.07
7314B		150	35	2.1	1.1	64	114	86.5	5000	5600	2.53
7215B	75	130	25	1.5	1	56	68	58.5	5300	6700	1.19
7315B		160	37	2.1	1.1	68	127	100	4500	5300	3.18
7216B	80	140	26	2	1.5	59	80	69.5	5000	6000	1.42
7316B		170	39	2.1	1.1	72	140	114	4300	4800	3.75
7217B	85	150	28	2	1	63	90	80	4500	6000	1.89
7317B		180	41	3	1.1	76	150	127	4000	4500	4.27
7218B	90	160	30	2	1	67	106	93	4300	5600	2.22
7318B		190	43	3	1.1	80	160	140	3800	4300	5.72
7219B	95	170	32	2.1	1.1	72	116	100	4000	5300	2.66
7319B		200	45	3	1.1	84	173	153	3800	4000	5.99
7220B	100	180	34	2.1	1.1	76	129	114	3800	5000	3.18
7320B		215	47	3	1.1	90	193	180	3600	3600	7.14



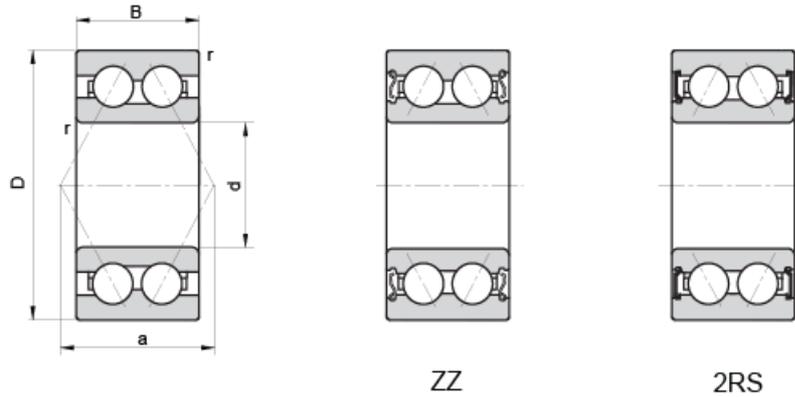
Double row angular contact ball bearings



Bearing number	Dimensions (mm)					Basic load ratings (KN)		Limiting speed (r/min)		Mass (kg)
	d	D	B	r min	a	Cr	Cor	Grease	Oil	
3200	10	30	14	0.6	18	7.41	4.3	16000	22000	0.051
3200-ZZ		30	14	0.6	18	7.41	4.3	16000		0.051
3200-2RS		30	14	0.6	18	7.41	4.3	12000		0.051
3201	12	32	15.9	0.6	20	10.1	5.6	15000	20000	0.058
3201-ZZ		32	15.9	0.6	20	10.1	5.6	15000		0.058
3201-2RS		32	15.9	0.6	20	10.1	5.6	11000		0.058
3202	15	35	15.9	0.6	22	11.2	6.8	12000	17000	0.066
3202-ZZ		35	15.9	0.6	22	11.2	6.8	12000		0.066
3202-2RS		35	15.9	0.6	22	11.2	6.8	8500		0.066
3302		42	19	1.0	26	15.1	9.15	10000	15000	0.13
3302-ZZ		42	19	1.0	26	15.1	9.15	10000		0.13
3302-2RS		42	19	1.0	26	15.1	9.15	7000		0.13
3203	17	40	17.5	0.6	25	14	8.65	10000	15000	0.10
3203-ZZ		40	17.5	0.6	25	14	8.65	10000		0.10
3203-2RS		40	17.5	0.6	25	14	8.65	7000		0.10
3303		47	22.2	1	29	21.2	12.5	9500	14000	0.18
3303-ZZ		47	22.2	1	29	21.2	12.5	9500		0.18
3303-2RS		47	22.2	1	29	21.2	12.5	6600		0.18
3204	20	47	20.6	1	30	18.6	12	9000	13000	0.16
3204-ZZ		47	20.6	1	30	18.6	12	9000		0.16
3204-2RS		47	20.6	1	30	18.6	12	6300		0.16
3304		52	22.2	1.1	32	22.1	14.3	8500	12000	0.22
3304-ZZ		52	22.2	1.1	32	22.1	14.3	8500		0.22
3304-2RS		52	22.2	1.1	32	22.1	14.3	6000		0.22
3205	25	52	20.6	1	33	20.3	14	8000	11000	0.18
3205-ZZ		52	20.6	1	33	20.3	14	8000		0.18
3205-2RS		52	20.6	1	33	20.3	14	5600		0.18
3305		62	25.4	1.1	38	31.2	20.8	7500	10000	0.35
3305-ZZ		62	25.4	1.1	38	31.2	20.8	7500		0.35
3305-2RS		62	25.4	1.1	38	31.2	20.8	5300		0.35
3206	30	62	23.8	1	38	28.1	20	7000	9500	0.29
3206-ZZ		62	23.8	1	38	28.1	20	7000		0.29
3206-2RS		62	23.8	1	38	28.1	20	5000		0.29
3306		72	30.2	1.1	44	41	28.5	6300		8500



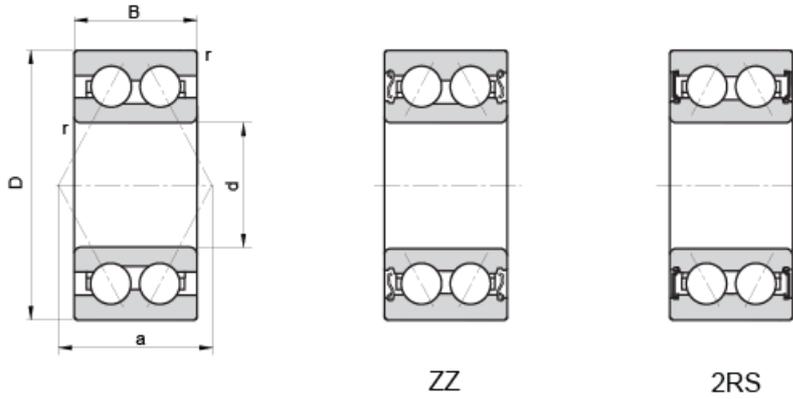
Double row angular contact ball bearings



Bearing number	Dimensions (mm)					Basic load ratings (KN)		Limiting speed (r/min)		Mass (kg)
	d	D	B	r min	a	Cr	Cor	Grease	Oil	
3306-ZZ	30	72	30.2	1.1	44	41	28.5	6300		0.53
3306-2RS		72	30.2	1.1	44	41	28.5	4500		0.53
3207	35	72	27	1.1	45	37.1	27.5	6000	8000	0.44
3207-ZZ		72	27	1.1	45	37.1	27.5	6000		0.44
3207-2RS		72	27	1.1	45	37.1	27.5	4200		0.44
3307	80	80	34.9	1.5	49	48.8	34	5600	7500	0.73
3307-ZZ		80	34.9	1.5	49	48.8	34	5600		0.73
3307-2RS		80	34.9	1.5	49	48.8	34	4000		0.73
3208	40	80	30.2	1.1	49	44.9	33.5	5600	7500	0.58
3208-ZZ		80	30.2	1.1	49	44.9	33.5	5600		0.58
3208-2RS		80	30.2	1.1	49	44.9	33.5	4000		0.58
3308	90	90	36.5	1.5	56	59.2	43	5000	6700	0.95
3308-ZZ		90	36.5	1.5	56	59.2	43	5000		0.95
3308-2RS		90	36.5	1.5	56	59.2	43	3500		0.95
3209	45	85	30.2	1.1	52	47.5	38	5000	6700	0.63
3209-ZZ		85	30.2	1.1	52	47.5	38	5000		0.63
3209-2RS		85	30.2	1.1	52	47.5	38	3500		0.63
3309	100	100	39.7	1.5	64	72.1	73.5	4500	6000	1.4
3309-ZZ		100	39.7	1.5	64	72.1	73.5	4500		1.4
3309-2RS		100	39.7	1.5	64	72.1	73.5	3200		1.4
3210	50	90	30.2	1.1	56	47.5	39	4800	6300	0.66
3210-ZZ		90	30.2	1.1	56	47.5	39	4800		0.66
3210-2RS		90	30.2	1.1	56	47.5	39	3400		0.66
3310	110	110	44.4	2	73	88	96.5	4000	5300	1.40
3310-ZZ		110	44.4	2	73	88	96.5	4000		1.40
3310-2RS		110	44.4	2	73	88	96.5	2800		1.40
3211-ZZ	55	100	33.3	1.5	64	57.2	67	4300		1.05
3211		100	33.3	1.5	64	57.2	67	4300	5600	1.05
3211-2RS		100	33.3	1.5	64	57.2	67	3000		1.05
3311	120	120	49.2	2	80	95.2	108	3800	5000	2.55
3311-ZZ		120	49.2	2	80	95.2	108	3800		2.55
3311-2RS		120	49.2	2	80	95.2	108	2700		2.55
3212	60	110	36.5	1.5	71	72.1	85	3800	5000	1.40
3212-ZZ		110	36.5	1.5	71	72.1	85	3800		1.40
3212-2RS		110	36.5	1.5	71	72.1	85	2700		1.40

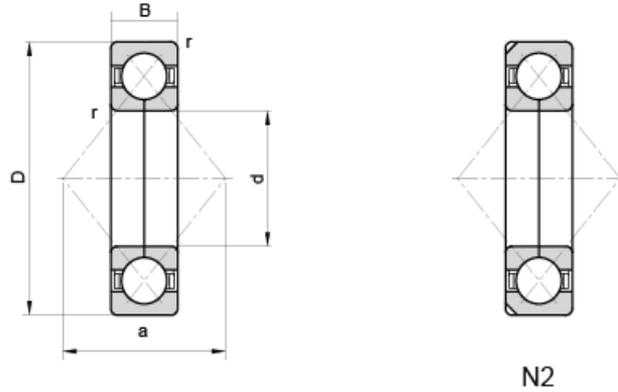


Double row angular contact ball bearings

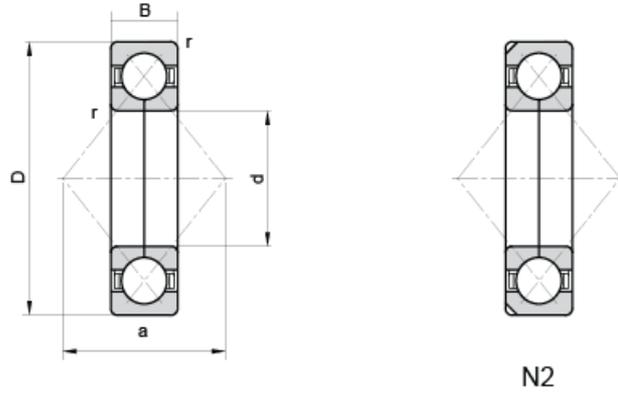


Bearing number	Dimensions (mm)					Basic load ratings (KN)		Limiting speed (r/min)		Mass (kg)
	d	D	B	r min	a	Cr	Cor	Grease	Oil	
3312	60	130	54	2.1	86	112	127	3400	4500	3.25
3312-ZZ		130	54	2.1	86	112	127	3400		3.25
3312-2RS		130	54	2.1	86	112	127	2400		3.25
3213	65	120	38.1	1.5	76	78.1	95	3600	4800	1.75
3213-ZZ		120	38.1	1.5	76	78.1	95	3600		1.75
3213-2RS		120	38.1	1.5	76	78.1	95	2500	4300	1.75
3313	140	58.7	2.1	84	128	150	3200		4.1	
3313-ZZ		58.7	2.1	84	128	150	3200		4.1	
3313-2RS		58.7	2.1	84	128	150	3200		4.1	
3214	70	125	39.7	1.5	81	76.5	98	3200	4300	1.9
3214-ZZ		125	39.7	1.5	81	76.5	98	3200		1.9
3214-2RS		125	39.7	1.5	81	76.5	98	2300	3800	1.9
3314	150	63.5	2.1	89	147	173	2800		5.05	
3314-ZZ		63.5	2.1	89	147	173	2800		5.05	
3314-2RS		63.5	2.1	89	147	173	2800		5.05	
3215	75	130	41.3	1.5	84	84.2	110	3200	4300	2.1
3215-ZZ		130	41.3	1.5	84	84.2	110	3200		2.1
3215-2RS		130	41.3	1.5	84	84.2	110	3200		2.1
3315	160	68.3	2.1	97	157	186	2600	3600	6.15	
3315-ZZ		68.3	2.1	97	157	186	2600		6.15	
3315-2RS		68.3	2.1	97	157	186	1800		6.15	
3216	80	140	44.4	2	82	101	134	2800	3800	2.65
3316		170	68.3	2.1	101	176	212	2400	3400	6.95
3217	85	150	49.2	2	88	110	146	2600	3600	3.40
3317		180	73	3	107	194	240	2200	3200	8.30
3218	90	160	52.4	2	94	128	173	2400	3400	4.15
3318		190	73	3	112	220	285	2000	3000	9.25
3219	95	170	55.6	2.1	101	147	204	2200	3200	5.00
3319		200	77.8	3	118	238	315	1900	2800	11.00
3220	100	180	60.3	2.1	107	157	220	2000	3000	6.10
3320		215	82.6	3	127	255	355	1800	2600	13.50

Four-point contact ball bearings

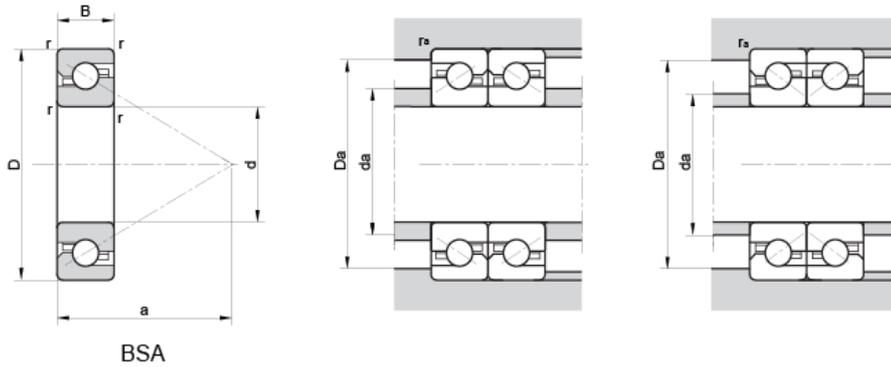


Bearing number	Dimensions (mm)					Basic load ratings (KN)		Limiting speed (r/min)		Mass (kg)
	d	D	B	r min	a	Cr	Cor	Grease	Oil	
QJ203 QJ303	17	40 47	12 14	0.6 1.0	20 22	15.9 23.4	10.6 15.0	14000 12000	19000 17000	0.082 0.14
QJ304	20	52	15	1.1	25	29.6	20.0	10000	15000	0.18
QJ205	25	52	15	1.0	27	25.1	20.0	9500	14000	0.16
QJ206 QJ306	30	62 72	16 19	1.0 1.1	32 36	35.1 49.4	28.5 39.0	8500 7500	12000 10000	0.24 0.42
QJ207 QJ307	35	72 80	17 21	1.1 1.5	37 40	46.2 59.2	39.0 46.5	7500 7000	10000 9500	0.35 0.57
QJ208 QJ308	40	80 90	18 23	1.1 1.5	42 46	52.7 71.5	45.0 58.5	6700 6300	9000 8500	0.45 0.78
QJ209 QJ309	45	85 100	19 25	1.1 1.5	46 51	58.5 93.6	51.0 76.5	6300 5600	8500 7500	0.52 1.05
QJ210 QJ310	50	90 110	20 27	1.1 2.0	49 56	61.8 111	56.0 91.5	5600 5000	7500 6700	0.59 1.35
QJ211 QJ311	55	100 120	21 29	1.5 2.0	54 61	79.3 127	76.5 108	5300 4500	7000 6000	0.77 1.75
QJ212 QJ312	60	110 130	22 31	1.5 2.1	60 67	92.3 146	86.5 125	4800 4300	6300 5600	0.99 2.15
QJ213 QJ313	65	120 140	23 33	1.5 2.1	65 72	104 165	104 146	4300 4000	5600 5300	1.20 2.70
QJ214 QJ314	70	125 150	24 35	1.5 2.1	68 77	114 186	114 166	4300 3600	5600 4800	1.30 3.15
QJ215 QJ315 N2	75	130 160	25 37	1.5 2.1	72 82	117 199	122 186	4000 3400	5300 4500	1.45 3.90
QJ216 QJ316 N2	80	140 170	26 39	2.0 2.1	77 88	138 216	146 208	3600 3200	4800 4300	1.85 4.60



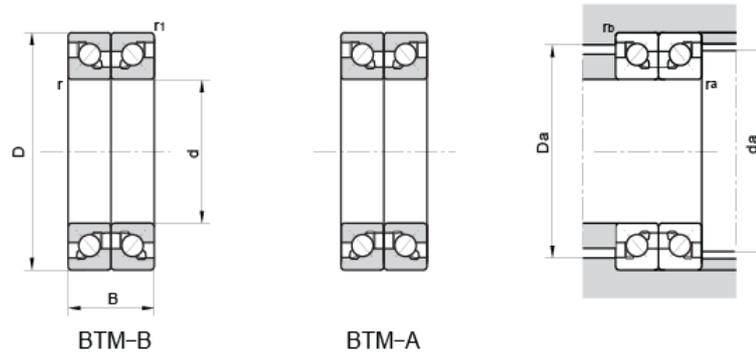
Bearing number	Dimensions (mm)					Basic load ratings (KN)		Limiting speed (r/min)		Mass (kg)
	d	D	B	r min	a	Cr	Cor	Grease	Oil	
QJ217	85	150	28	2.0	83	148	160	3400	4500	2.25
QJ317 N2		180	41	3.0	93	234	236	3000	4000	5.45
QJ218 N2	90	160	30	2.0	88	174	186	3200	4300	2.75
QJ318 N2		190	43	3.0	98	265	285	2800	3800	6.45
QJ219 N2	95	170	32	2.1	93	199	212	3000	4000	3.35
QJ319 N2		200	45	3.0	103	286	315	2600	3600	7.45
QJ220 N2	100	180	34	2.1	98	225	240	2800	3800	4.05
QJ320 N2		215	47	3.0	110	307	340	2400	3400	9.30

Single direction angular contact thrust ball bearings

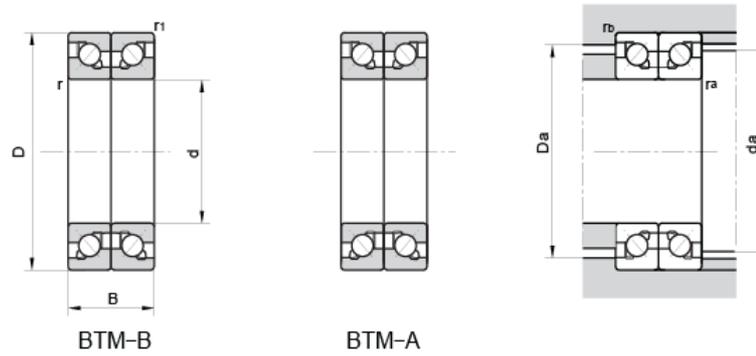


BSA

Bearing number	Dimensions (mm)					Mounting dimensions (mm)			Basic load ratings (KN)		Axial load limit (KN)	Limiting speed (r/min)		Mass (kg)
	d	D	B	r min	a	da min	Da max	ra max	Cr	Cor		Grease	Oil	
BSA 202	15	35	11	1	27	21	32	1	11	20	9	11000	15000	0.054
BSA 203	17	40	12	1	31	22	37	1	17	34	14	9600	13000	0.078
BSA 204	20	47	14	1	36	26	42	1	23	48	20	8200	11000	0.12
BSA 2047		47	15	1	37	26	42	1	23	48	20	8200	11000	0.13
BSA 205	25	52	15	1	41	31	47	1	24	53	21	7200	10000	0.15
BSA 305		62	17	1	49	33	56	1	33	77	31	6000	8600	0.27
BSA 2562		62	15	1	48	33	56	1	33	77	31	6000	8600	0.25
BSA 206	30	62	16	1	48	38	55	1	29	70	29	6000	8600	0.23
BSA 3062		62	15	1	47	38	55	1	29	70	29	6000	8600	0.22
BSA 306		72	19	2	54	39	65	1	47	110	44	5300	7600	0.23
BSA 3572	35	72	15	2	55	44	65	1	37	96	39	5000	7200	0.30
BSA 207		72	17	2	56	44	65	1	37	96	39	5000	7200	0.33
BSA 307		80	21	2	60	44	72	1	60	138	55	4800	7000	0.53
BSA 4072	40	72	15	2	55	49	65	1	37	96	38	5000	7200	0.27
BSA 308		90	23	2	71	49	82	1	65	166	67	4100	5800	0.72
BSA 4090		90	20	2	69	49	82	1	65	166	67	4100	5800	0.66
BSA 4575	45	75	15	2	60	54	69	1	34	98	40	4600	6600	0.27
BSA 45100		100	20	2	77	54	91	1	83	222	89	3800	5200	0.83
BSA 309		100	25	2	76	54	91	1	96	231	93	3800	5500	1.00
BSA 50100	50	100	20	2	76	60	91	1	83	222	89	3600	5200	0.77
BSA 310		110	27	2	83	60	99	1	113	275	110	3500	5000	0.98
BSA 55100	55	100	20	2	77	65	91	1	83	222	89	4800	5500	0.74
BSA 55120		120	20	2	89	70	109	1	86	259	105	3100	4400	1.15
BSA 311		120	29	2	91	65	109	1	130	322	129	3200	4500	1.65
BSA 60120	60	120	20	2	89	72	109	1	86	259	100	3100	4400	1.09
BSA 212		110	22	2	85	72	99	1	73	220	88	3200	4700	0.95
BSA 312		130	31	2	98	72	118	1	148	374	150	3000	4200	1.98
BSA 215	75	130	25	2	102	89	118	1	78	260	100	2700	3800	1.60
BSA 316	80	170	39	2	128	96	155	1	242	679	272	2200	3200	4.60



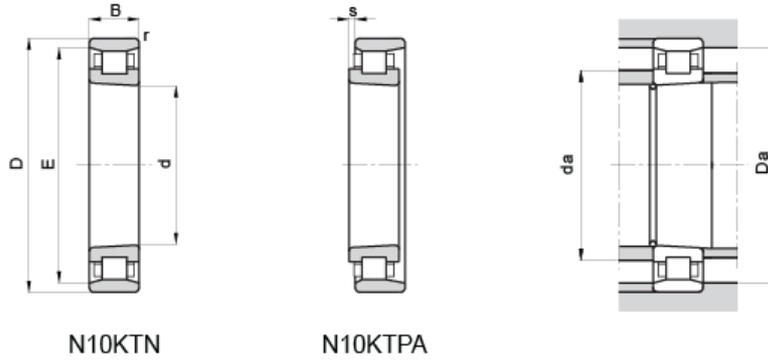
Bearing number	Dimensions (mm)					Mounting dimensions (mm)		Basic load ratings (KN)		Limiting speed (r/min)		Mass (kg)
	d	D	B	r min	r1 min	da min	Da max	Cr	Cor	Grease	Oil	
BTM 60 A	60	95	33	1.1	0.6	67	89	26.5	62	9300	11900	0.77
BTM 60 B		95	33	1.1	0.6	67	89	31	71	8300	10600	
BTM 60 A/HC		95	33	1.1	0.6	67	89	26.5	62	11100	14300	
BTM 60 B/HC		95	33	1.1	0.6	67	89	31	71	10000	12700	
BTM 65 A	65	100	33	1.1	0.6	75	94	27.5	68	8700	11200	0.82
BTM 65 B		100	33	1.1	0.6	75	94	32.5	76	7800	10000	
BTM 65 A/HC		100	33	1.1	0.6	75	94	27.5	68	10500	13500	
BTM 65 B/HC		100	33	1.1	0.6	75	94	32.5	76	9400	12000	
BTM 70 A	70	110	36	1.1	0.6	82	104	33.5	83	8000	10200	1.12
BTM 70 A/HC		110	36	1.1	0.6	82	104	33.5	83	9500	12300	
BTM 70 B		110	36	1.1	0.6	82	104	40	95	7200	9100	
BTM 70 B/HC		110	36	1.1	0.6	82	104	40	95	8600	10900	
BTM 80 A	80	125	40.5	1.1	0.6	93	118	41.5	104	7000	9000	1.59
BTM 80 B		125	40.5	1.1	0.6	93	118	49	120	6300	8000	
BTM 80 A/HC		125	40.5	1.1	0.6	93	118	41.5	104	8400	10800	
BTM 80 B/HC		125	40.5	1.1	0.6	93	118	49	120	7600	9600	
BTM 85 A	85	130	40.5	1.1	0.6	98	124	41.5	110	6700	8600	1.69
BTM 85 B		130	40.5	1.1	0.6	98	124	50	125	6000	7500	
BTM 85 A/HC		130	40.5	1.1	0.6	98	124	41.5	110	7200	10300	
BTM 85 B/HC		130	40.5	1.1	0.6	98	124	50	125	7200	9000	
BTM 90 A	90	140	45	1.5	0.6	104	132	49	125	6300	8000	2.22
BTM 90 B		140	45	1.5	0.6	104	132	57	143	5600	7000	
BTM 90 A/HC		140	45	1.5	0.6	104	132	49	125	7600	9600	
BTM 90 B/HC		140	45	1.5	0.6	104	132	57	143	6700	8400	
BTM 100 A	100	150	45	1.5	0.6	114	142	51	140	6000	7500	2.45
BTM 100 B		150	45	1.5	0.6	114	142	61	163	5300	6700	
BTM 100 A/HC		150	45	1.5	0.6	114	142	51	140	7200	9000	
BTM 100 B/HC		150	45	1.5	0.6	114	142	61	163	6400	8000	



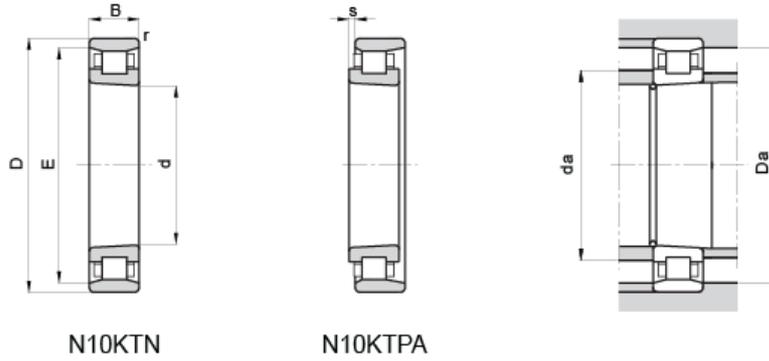
Bearing number	Dimensions (mm)					Mounting dimensions (mm)		Basic load ratings (KN)		Limiting speed (r/min)		Mass (kg)
	d	D	B	r min	r1 min	da min	Da max	Cr	Cor	Grease	Oil	
BTM 110 A	110	170	54	2	1	127	160	71	193	5100	6400	3.9
BTM 110 B		170	54	2	1	127	160	83	220	4600	5700	3.9
BTM 110 A/HC		170	54	2	1	127	160	71	193	6200	7700	3.64
BTM 110 B/HC		170	54	2	1	127	160	83	220	5500	6800	3.64
BTM 120 A	120	180	54	2	1	137	170	73.5	212	4800	6000	4.18
BTM 120 B		180	54	2	1	137	170	86.5	240	4300	5300	4.18
BTM 120 A/HC		180	54	2	1	137	170	73.5	212	5800	7200	3.90
BTM 120 B/HC		180	54	2	1	137	170	86.5	240	5200	6400	3.90
BTM 130 A	130	200	63	2	1	150	190	90	265	4500	5600	6.27
BTM 130 B		200	63	2	1	150	190	108	300	3800	4800	6.27
BTM 130 A/HC		200	63	2	1	150	190	90	265	5400	6700	5.87
BTM 130 B/HC		200	63	2	1	150	190	108	300	4600	5800	5.87



Precision single row cylindrical roller bearings



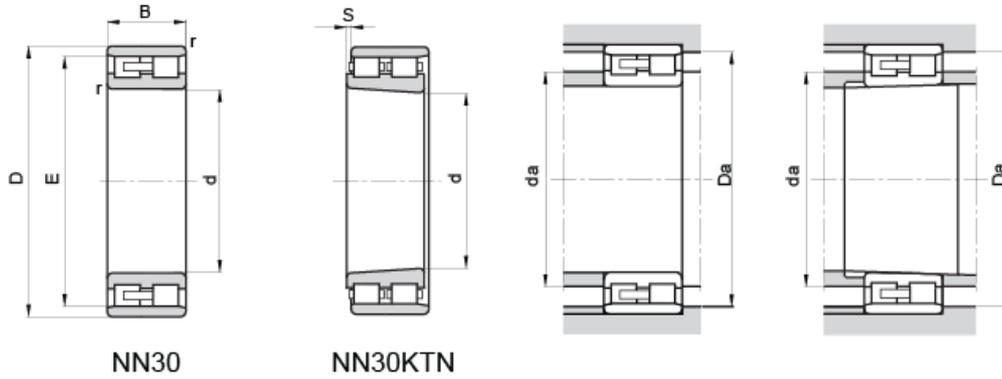
Bearing number	Dimensions (mm)						Mounting dimensions (mm)				Basic load ratings (KN)		Limiting speed (r/min)		Mass (kg)
	d	D	B	r min	E	s	da		Da		Cr	Cor	Grease	Oil	
							min	max	min	max					
N 1008 KTN N 1008 KTPA	40	68 68	15 15	1 1	61 61	3 3	45 45	59 59	62 62	63 63	25.1 24.2	28 26.5	15000 23700	17000 32800	0.19 0.19
N 1009 KTN N 1009 KTPA	45	75 75	16 16	1 1	67.5 67.5	3 3	50 50	65 65	69 69	70 70	29.2 28.1	32.5 31	13000 21300	15000 29600	0.24 0.24
N 1010 KTN N 1010 KTPA	50	80 80	16 16	1 1	72.5 72.5	3 3	55 55	70 70	74 74	75 75	30.8 29.7	36.5 34.5	12000 19600	14000 27300	0.26 0.26
N 1011 KTN N 1011 KTPA	55	90 90	18 18	1.1 1.1	81 81	3 3	61.5 61.5	79 79	82 82	83.5 83.5	40.2 39.1	48 46.5	11000 17600	13000 24500	0.39 0.39
N 1012 KTN N 1012 KTPA	60	95 95	18 18	1.1 1.1	86.1 86.1	3 3	66.5 66.5	84 84	87 87	88.5 88.5	42.9 41.3	53 51	10000 16400	12000 22800	0.41 0.41
N 1013 KTN N 1013 KTPA	65	100 100	18 18	1.1 1.1	91 91	3 3	71.5 71.5	89 89	92 92	93.5 93.5	44.6 44	58.5 56	9500 15500	11000 21500	0.44 0.44
N 1014 KTN N 1014 KTPA	70	110 110	20 20	1.1 1.1	100 100	3.5 3.5	76.5 76.5	98 98	101 101	103.5 103.5	57.2 55	75 72	9000 14100	10000 19600	0.62 0.62
N 1015 KTN N 1015 KTPA	75	115 115	20 20	1.1 1.1	105 105	3.5 3.5	81.5 81.5	102 102	106 106	108.5 108.5	56.1 55	75 72	8500 13300	9500 18600	0.65 0.65
N 1016 KTN N 1016 KTPA	80	125 125	22 22	1.1 1.1	113 113	3.5 3.5	86.5 86.5	110 110	114 114	118.5 118.5	69.3 67.1	93 90	8000 12400	9000 17300	0.89 0.89
N 1017 KTN N 1017 KTPA	85	130 130	22 22	1.1 1.1	118 118	3.5 3.5	91.5 91.5	115 115	119 119	123.5 123.5	73.7 70.4	102 98	7500 11800	8500 16500	0.9 0.9
N 1018 KTN N 1018 KTPA	90	140 140	24 24	1.5 1.5	127 127	4 4	98 98	124 124	129 129	132 132	79.2 76.5	108 104	7000 11000	8000 15300	1.2 1.2
N 1019 KTN N 1019 KTPA	95	145 145	24 24	1.5 1.5	132 132	4 4	103 103	129 129	134 134	137 137	84.2 80.9	116 112	6700 10500	7500 14700	1.25 1.25
N 1020 KTN N 1020 KTPA	100	150 150	24 24	1.5 1.5	137 137	4 4	108 108	134 134	139 139	142 142	88 85.8	125 120	6700 10600	7500 14700	1.31 1.31



Bearing number	Dimensions (mm)						Mounting dimensions (mm)				Basic load ratings (KN)		Limiting speed (r/min)		Mass (kg)
	d	D	B	r min	E	s	da		Da		Cr	Cor	Grease	Oil	
							min	max	min	max					
N 1021 KTN N 1021 KTPA	105	160 160	26 26	2 2	146 146	4 4	114 114	143 143	148 148	151 151	110 108	153 146	6300 9600	7000 13300	1.65 1.65
N 1022 KTN N 1022 KTPA	110	170 170	28 28	2 2	155 155	4 4	119 119	152 152	157 157	161 161	128 125	180 173	5600 9000	6300 12600	2.04 2.04
N 1024 KTN N 1024 KTPA	120	180 180	28 28	2 2	165 165	4 4	129 129	162 162	167 167	171 171	134 130	196 186	5300 8400	6000 11700	2.2 2.2



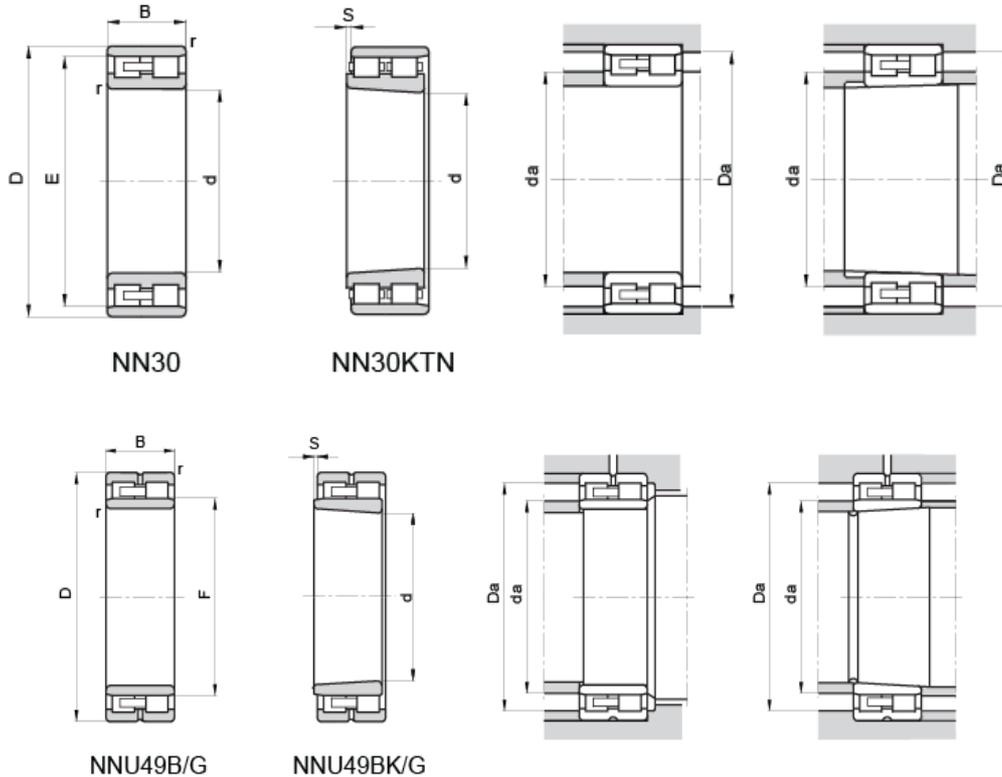
Precision double row cylindrical roller bearings



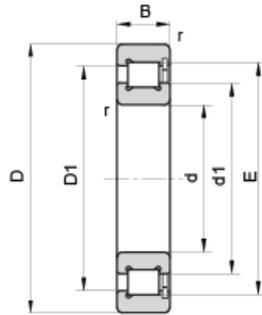
Bearing number	Dimensions (mm)						Mounting dimensions (mm)				Basic load ratings (KN)		Limiting speed (r/min)		Mass (kg)
	d	D	B	r min	E/F	s	da		Da		Cr	Cor	Grease	Oil	
							min	max	min	max					
NN 3005K	25	47	16	0.6	41.3	1.4	29		42	43	26	30	19000	22000	0.12
NN 3006 TN	30	55	19	1	48.5	1.8	35		49	50	30.8	37.5	16000	18000	0.19
NN 3006 KTN		55	19	1	48.5	1.8			49	50	30.8	37.5	16000	18000	
NN 3007 TN	35	62	20	1	55	1.8	40		56	57	39.1	50	14000	16000	0.25
NN 3007 KTN		62	20	1	55	1.8			40	56	57	39.1	50	14000	
NN 3008 TN	40	68	21	1	61	1.3	45		62	63	42.9	56	12000	14000	0.3
NN 3008 KTN		68	21	1	61	1.3			45	62	63	42.9	56	12000	
NN 3009 TN	45	75	23	1	67.5	2	50		69	70	50.1	65.5	11000	13000	0.38
NN 3009 KTN		75	23	1	67.5	2			50	69	70	50.1	65.5	11000	
NN 3010 TN	50	80	23	1	72.5	2	55		74	75	52.8	73.5	10000	12000	0.42
NN 3010 KTN		80	23	1	72.5	2			55	74	75	52.8	73.5	10000	
NN 3011 TN	55	90	26	1.1	81	2	61.5		82	83.5	69.3	96.5	9500	11000	0.62
NN 3011 KTN		90	26	1.1	81	2			61.5	82	83.5	69.3	96.5	9500	
NN 3012 TN	60	95	26	1.1	86.1	2	66.5		87	88.5	73.7	106	9000	10000	0.66
NN 3012 KTN		95	26	1.1	86.1	2			66.5	87	88.5	73.7	106	9000	
NN 3013 TN	65	100	26	1.1	91	2	71.5		92	93.5	76.5	116	8500	9500	0.71
NN 3013 KTN		100	26	1.1	91	2			71.5	92	93.5	76.5	116	8500	
NN 3014 TN	70	110	30	1.1	100	2.5	76.5		101	103.5	96.8	150	7500	8500	1
NN 3014 KTN		110	30	1.1	100	2.5			76.5	101	103.5	96.8	150	7500	
NN 3015 TN	75	115	30	1.1	105	2.5	81.5		106	108.5	96.8	150	7000	8000	1.1
NN 3015 KTN		115	30	1.1	105	2.5			81.5	106	108.5	96.8	150	7000	
NN 3016 TN	80	125	34	1.1	113	3	86.5		114	118.5	119	186	6700	7500	1.5
NN 3016 KTN		125	34	1.1	113	3			86.5	114	118.5	119	186	6700	
NN 3017 TN9	85	130	34	1.1	118	2.5	91.5		119	123.5	125	204	6300	7000	1.55
NN 3017 KTN9		130	34	1.1	118	2.5			91.5	119	123.5	125	204	6300	
NN 3018 TN9	90	140	37	1.5	127	2.8	98		129	132	138	216	6000	6700	1.95
NN 3018 KTN9		140	37	1.5	127	2.8			98	129	132	138	216	6000	



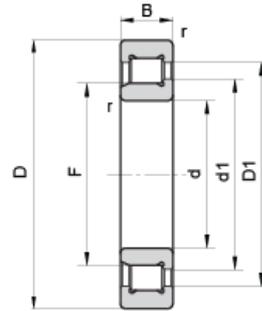
Precision double row cylindrical roller bearings



Bearing number	Dimensions (mm)						Mounting dimensions (mm)				Basic load ratings (KN)		Limiting speed (r/min)		Mass (kg)
	d	D	B	r min	E/F	s	da		Da		Cr	Cor	Grease	Oil	
							min	max	min	max					
NN 3019 TN9	95	145	37	1.5	132	2.8	103		134	137	142	232	5600	6300	2.05
NN 3019 KTN9		145	37	1.5	132	2.8	103		134	137	142	232	5600	6300	2.05
NNU 4920 B/G	100	140	40	1.1	113	1.1	106.5	111	115	133.5	128	255	5600	6300	1.9
NNU 4920 BK/G		140	40	1.1	113	1.1	106.5	111	115	133.5	128	255	5600	6300	1.8
NN 3020 TN9		150	37	1.5	137	2.8	108		139	142	151	250	5300	6000	2.1
NN 3020 KTN9		150	37	1.5	137	2.8	108		139	142	151	250	5300	6000	2.1
NNU 4921 B/G	105	145	40	1.1	118	1.7	111.5	116	121	138.5	130	260	5300	6000	2
NNU 4921 BK/G		145	40	1.1	118	1.7	111.5	116	121	138.5	130	260	5300	6000	1.9
NN 3021 TN9		160	41	2	146	1.8	115		148	150	190	305	5000	5600	2.7
NN 3021 KTN9		160	41	2	146	1.8	115		148	150	190	305	5000	5600	2.7
NNU 4922 B/G	110	150	40	1.1	123	1.7	116.5	121	126	143.5	132	270	5300	6000	2.05
NNU 4922 BK/G		150	40	1.1	123	1.7	116.5	121	126	143.5	132	270	5300	6000	1.95
NN 3022 TN9		170	45	2	155	3.8	120		157	160	220	360	4800	5300	3.4
NN 3022 KTN9		170	45	2	155	3.8	120		157	160	220	360	4800	5300	3.4
NNU 4924 B/G	120	165	45	1.1	134.5	1.7	126.5	133	137	158.5	176	340	4800	5300	2.8
NNU 4924 BK/G		165	45	1.1	134.5	1.7	126.5	133	137	158.5	176	340	4800	5300	2.65
NN 3024 TN9		180	46	2	165	3.8	130		167	170	229	390	4500	5000	3.7
NN 3024 KTN9		180	46	2	165	3.8	130		167	170	229	390	4500	5000	3.7
NNU 4926 B/G	130	180	50	1.5	146	2.2	138	144	149	172.5	187	390	4300	4800	3.85
NNU 4926 BK/G		180	50	1.5	146	2.2	138	144	149	172.5	187	390	4300	4800	3.65
NN 3026 TN9		200	52	2.1	182	3.8	140		183	190	286	475	4000	4500	5.55
NN 3026 KTN9		200	52	2.1	182	3.8	140		183	190	286	475	4000	4500	5.55

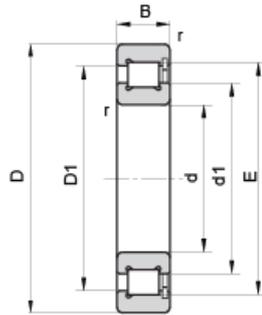


NCF V

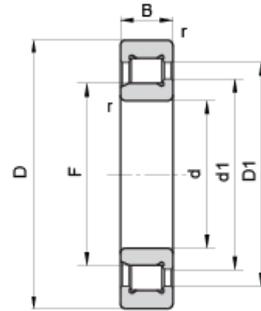


NJ V

Bearing number	Dimensions (mm)				Mounting Mounting (mm)				Basic load ratings (KN)		Limiting speed (r/min)	Mass (kg)
	d	D	B	r min	F	d1	D1	E	Cr	Cor		
NCF 3004 V NCF 2204 V	20	42 47	16 18	0.6 1		28.8 30.3	32.8 36.9	36.8 41.7	30.5 45.5	26.5 37.5	10500 9700	0.11 0.16
NCF 3005 V NCF 2205 V NJ 2305 V	25	47 52 62	16 18 24	0.6 1 1.1		34.6 35.3 36.7	38.5 41.9 47.5	42.5 46.5	35 51 73	32.5 45 60	9000 8400 7400	0.12 0.18 0.37
NCF 3006 V NCF 2206 V NJ 2306 V	30	55 62 72	19 20 27	1 1 1.1		40 42 43.5	45.4 50.6 56	49.6 55.1	45 70 100	43 65 88	7600 7000 6400	0.2 0.3 0.56
NCF 3007 V NCF 2207 V NJ 2307 V	35	62 72 80	20 23 31	1 1.1 1.5		44.9 47 50.7	51.3 59.3 65.8	55.5 63.9	55 88 126	55 79 112	6700 6100 5600	0.26 0.44 0.74
NCF 3008 V NCF 2208 V NJ 2308 V	40	68 80 90	21 23 33	1 1.1 1.5		50.5 54 57.5	57.1 66.3 75.2	61.7 70.9	66 97 170	68 93 156	6000 5400 5000	0.31 0.55 1.01
NCF 3009 V NCF 2209 V NJ 2309 V	45	75 85 100	23 23 36	1 1.1 1.5		55.3 57.5 62.5	62.2 69.8 80.3	66.8 74.4	70 101 181	76 99 169	5400 5000 4450	0.4 0.59 1.37
NCF 3010 V NCF 2210 V NJ 2310 V	50	80 90 110	23 23 40	1 1.1 2		59.1 64.4 68.3	67.7 76.7 89.7	72.3 81.4	88 109 232	96 113 219	5000 4650 4050	0.43 0.64 1.81
NCF 3011 V NCF 2211 V NJ 2310 V	55	90 100 120	26 25 43	1.1 1.5 2		68.5 70 75.5	78.8 84.1 99.3	83.5 88.8	120 140 270	136 150 255	4450 4200 3700	0.64 0.87 2.28
NCF 2912 V NCF 3012 V NCF 2212 V NJ 2312 V	60	85 95 110 130	16 26 28 46	1 1.1 1.5 2.1		69 71.7 76.8 82	74.4 82.1 93.9 105.8	78.5 86.7 99.1	63 123 169 285	78 145 180 280	4450 4200 3800 3400	0.29 0.69 1.18 2.88
NCF 2913 V NCF 3013 V NCF 2213 V NJ 2313 V	65	90 100 120 140	16 26 31 48	1 1.1 1.5 2.1		75.7 78.1 82.3 90	81 88.4 100.7 116.5	85.2 93 106.2	67 130 198 350	86 159 214 355	4200 3950 3500 3150	0.31 0.73 1.57 3.52

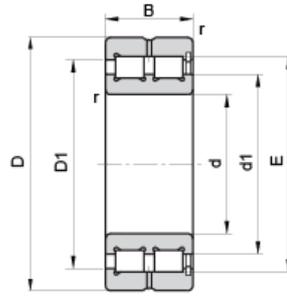


NCF V



NJ V

Bearing number	Dimensions (mm)				Mounting Mounting (mm)				Basic load ratings (KN)		Limiting speed (r/min)	Mass (kg)
	d	D	B	r min	F	d1	D1	E	Cr	Cor		
NCF 2914 V	70	100	19	1		81.2	87.8	92.3	88	114	3800	0.49
NCF 3014 V		110	30	1.1		81.5	95.6	100.2	153	176		
NCF 2214 V		125	31	1.5		87	105.2	111.4	184	227		
NJ 2314 V		150	51	2.1	84.1	93.5	121.6		385	390		
NCF 2915 V	75	100	19	1		86.3	92.8	97.4	91	121	3600	0.52
NCF 3015 V		115	30	1.1		89	103.2	107.9	162	194		
NCF 2215 V		130	31	1.5		91.8	110	116.2	190	241		
NJ 2315 V		160	55	2.1	91.2	101.6	131.5		460	465		
NCF 2916 V	80	110	19	1		91.4	98	102.5	94	129	3400	0.55
NCF 3016 V		125	34	1.1		95	111.7	117.4	173	225		
NCF 2216 V		140	33	2		98.6	119.3	126.3	226	285		
NJ 2316 V		170	58	2.1	98.2	109.5	142.1		540	560		
NCF 2917 V	85	120	22	1.1		96.4	105	109.6	118	162	3150	0.81
NCF 3017 V		130	34	1.1		99.4	116.1	121.9	178	237		
NCF 2217 V		150	36	2		104.4	126.3	133.7	255	325		
NJ 2317 V		180	60	3	107	118.2	150.9		570	620		
NCF 2918 V	90	125	22	1.1		102	110.7	115.7	122	172	3000	0.84
NCF 3018 V		140	37	1.5		106.1	124.5	130.6	208	280		
NCF 2218 V		160	40	2		110.2	133.3	141.1	290	370		
NJ 2318 V		190	64	3	105.3	117.5	152.5		620	660		
NCF 2919 V	95	130	22	1.1		106.7	117	122.2	132	179	2900	0.86
NCF 2219 V		170	43	2.1		122	147.3	155.9	340	435		
NJ 2319 V		200	67	3	114.6	126.6	161.9		650	720		
NCF 2920 V	100	140	24	1.1		113.4	125.7	130.9	152	206	2700	1.14
NCF 3020 V		150	37	1.5		115.7	134	140.2	219	310		
NCF 2220 V		180	46	2.1		127.5	154.3	163.3	395	520		
NJ 2320 V		215	73	3	119.3	132.7	172.8		790	860		
NCF 2922 V	110	150	24	1.1		124	136.2	141.5	155	220	2490	1.23
NCF 3022 V		170	45	2		127.3	149.3	156.7	285	395		
NCF 2222 V		200	53	2.1		137	168	177.6	455	590		
NCF 2924 V	120	165	27	1.1		134.8	149	154.3	199	295	2270	1.73
NCF 3024 V		180	46	2		138.8	160.7	168.1	300	435		
NCF 2224 V		215	58	2.1		150.7	183	192.9	540	730		

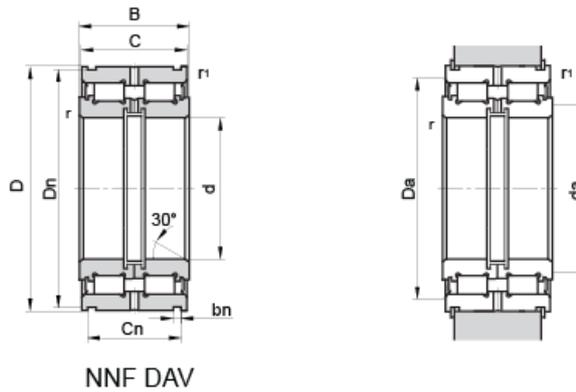


NNCF V

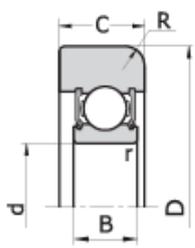
Bearing number	Dimensions (mm)				Mounting dimensions (mm)			Basic load ratings (KN)		Limiting speed (r/min)	Mass (kg)
	d	D	B	r min	d1	D1	E	Cr	Cor		
NNCF 5004 V	20	42	30	0.6	28.4	33.3	36.8	53	53	10500	0.20
NNCF 5005 V	25	47	30	0.6	34.5	39	42.5	60	65	9000	0.23
NNCF 5006 V	30	55	34	1	40	45.3	49.6	78	84	7600	0.35
NNCF 5007 V	35	62	36	1	44.9	51.2	55.5	94	109	6700	0.46
NNCF 5008 V	40	68	38	1	50.5	57.2	61.7	113	136	6000	0.56
NNCF 5009 V	45	75	40	1	55.3	62.6	66.8	120	151	5400	0.71
NNCF 5010 V	50	80	40	1	59.1	67.6	72.3	151	191	5000	0.76
NNCF 5011 V	55	90	46	1.1	68.5	78.7	83.5	206	275	4450	1.16
NNCF 4912 V NNCF 5012 V	60	85 95	25 46	1 1.1	70.3 71.7	73.5 81.9	86.7	71 212	125 290	4450 4200	0.49 1.24
NNCF 5013 V	65	100	46	1.1	78.1	88.3	93.1	223	320	3550	1.32
NNCF 4914 V NNCF 5014 V	70	100 110	30 54	1 1.1	82.5 81.5	87.4 95.7	102.3	108 265	189 355	3800 3600	0.78 1.85
NNCF 5015 V	75	115	54	1.1	89	102.9	107.9	275	390	3400	1.93
NNCF 4916 V NNCF 5016 V	80	110 125	30 60	1 1.1	91.4 95	96.2 111.7	117.4	115 295	211 450	3400 3150	0.88 2.59
NNCF 5017 V	85	130	60	1.1	99	116.1	121.9	305	475	3000	2.72
NNCF 4918 V NNCF 5018 V	90	125 140	35 67	1.1 1.5	103.9 106.1	110.7 124.5	130.6	155 355	295 560	3000 2800	1.35 3.62
NNCF 4920 V NNCF 5020 V	100	140 150	40 67	1.1 1.5	116.4 115.7	125 134	140.2	196 375	380 620	2700 2600	1.95 3.94
NNCF 4922 V NNCF 5022 V	110	150 170	40 80	1.1 2	125 127.3	133.6 149.3	156.7	204 490	410 790	2490 2310	2.15 6.32
NNCF 4924 V NNCF 5024 V	120	165 180	45 80	1.1 2	138.6 138.8	148.6 160.7	168.1	228 520	455 870	2270 2160	2.95 6.77
NNCF 4926 V NNCF 5026 V	130 130	180 200	50 95	1.5 2	148.4 148.6	160 175.5	184.4	265 740	530 1230	2090 1960	3.95 10.20



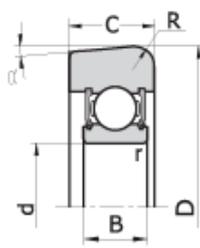
Double row full complement cylindrical roller bearings



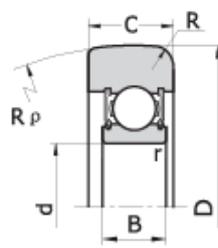
Bearing number	Dimensions (mm)									Mounting dimensions (mm)		Basic load ratings (KN)		Limiting speed (r/min)	Mass (kg)
	d	D	B	C	r min	r1 min	Cn	Dn	bn	da min	Da max	Cr	Cor		
NNF 5004 DAV	20	42	30	29	0.5	0.3	24.7	40.2	1.8	24	34	40.5	49	4000	0.20
NNF 5005 DAV	25	47	30	29	0.5	0.3	24.7	45.2	1.8	29	39	44.5	58	3600	0.24
NNF 5006 DAV	30	55	34	33	0.5	0.3	28.2	53	2.1	34	44	50	67	3000	0.37
NNF 5007 DAV	35	62	36	35	0.5	0.3	30.2	60	2.1	39	50	63	88	2600	0.48
NNF 5008 DAV	40	68	38	37	0.8	0.6	32.2	65.8	2.7	44	55	76	103	2400	0.56
NNF 5009 DAV	45	75	40	39	0.8	0.6	34.2	72.8	2.7	49	61	92	130	2200	0.70
NNF 5010 DAV	50	80	40	39	0.8	0.6	34.2	77.8	2.7	54	66	97	142	2000	0.76
NNF 5011 DAV	55	90	46	45	1	0.6	40.2	87.4	3.2	59.6	73	115	175	1800	1.18
NNF 5012 DAV	60	95	46	45	1	0.6	40.2	92.4	3.2	65	79	120	189	1700	1.26
NNF 5013 DAV	65	100	46	45	1	0.6	40.2	97.4	3.2	70	84	125	203	1600	1.33
NNF 5014 DAV	70	110	54	53	1	0.6	48.2	107.1	4.2	75	91	168	265	1400	1.87
NNF 5015 DAV	75	115	54	53	1	0.6	48.2	112.1	4.2	80	97	194	300	1400	1.96
NNF 5016 DAV	80	125	60	59	1.5	0.6	54.2	122.1	4.2	86	105	203	325	1300	2.71
NNF 5017 DAV	85	130	60	59	1.5	0.6	54.2	127.1	4.2	91	112	211	350	1200	2.83
NNF 5018 DAV	90	140	67	66	1.5	0.6	59.2	137	4.2	96	118	305	510	1100	3.71
NNF 5019 DAV	95	145	67	66	1.5	0.6	59.2	142	4.2	101	122	315	530	1100	3.88
NNF 5020 DAV	100	150	67	66	1.5	0.6	59.2	147	4.2	106	128	330	550	1000	3.95
NNF 5022 DAV	110	170	80	79	1.5	0.6	70.2	167	4.2	117	143	395	680	900	6.57
NNF 5024 DAV	120	180	80	79	1.5	0.6	71.2	176	4.2	127	153	410	740	900	7.04



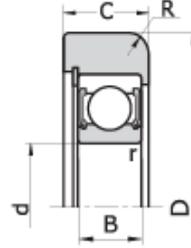
类型 A



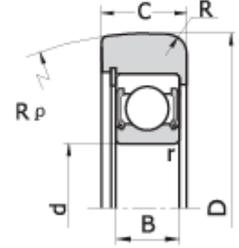
类型 B



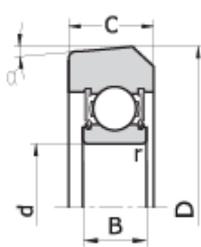
类型 C



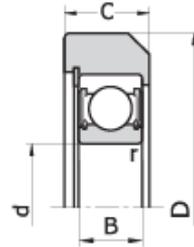
类型 D



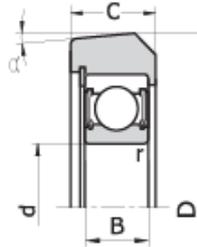
类型 E



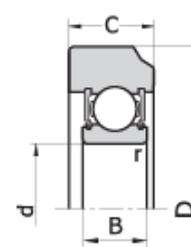
类型 F



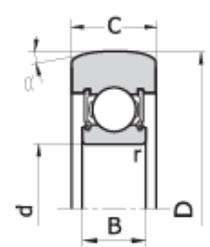
类型 G



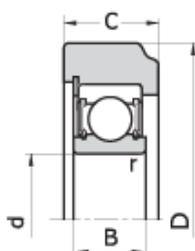
类型 H



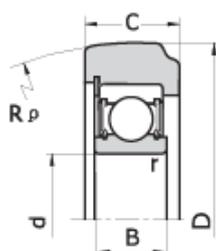
类型 J



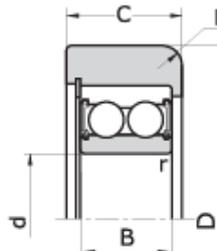
类型 K



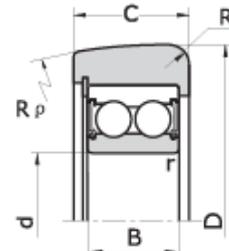
类型 L



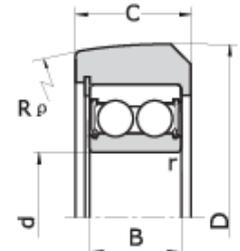
类型 M



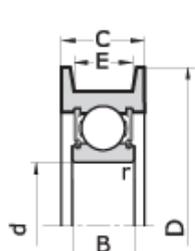
类型 N



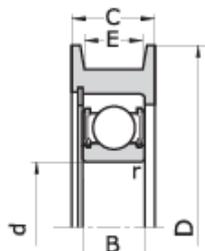
类型 P



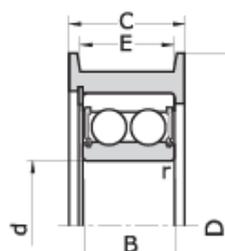
类型 Q



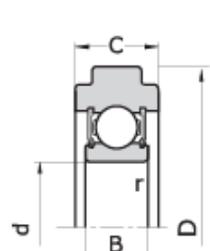
类型 R



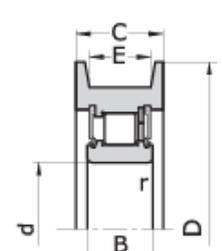
类型 S



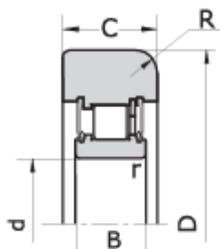
类型 T



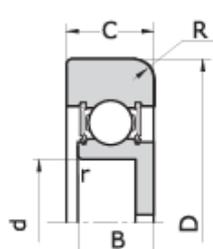
类型 V



类型 W



类型 X



类型 Y



Mast guide bearings

Bearing number	Style	Dimensions												Basic load ratings (KN)	
		d		D		C		B		R		r min		Cr	Cor
		(mm)	(in)	(mm)	(in)	(mm)	(in)	(mm)	(in)	(mm)	(in)	(mm)	(in)		
MG305-1	A	25	0.9843	76.2	3	25.4	1	17.0	0.6693	7.6	0.3	1.0	0.04	20.51	11.12
MG305-2	B		0.9843	76.2	3	25.4	1	17.0	0.6693	6.4	0.25	1.0	0.04	20.51	11.12
MG206-1	F	30	1.1811	82.2	3.235	25.4	1	19.6	0.7712			1.0	0.04	19.49	11.26
MG206-2	C			70.0	2.755	22.0	0.865	22.0	0.865	6.0	0.235	1.0	0.04	19.49	11.26
MG206-3	A			76.2	3	27.0	1.062	16.0	0.6299	1.6	0.0625	1.0	0.04	19.49	11.26
MG206-4	A			76.2	3	28.6	1.125	16.0	0.6299	1.6	0.0625	1.0	0.04	19.49	11.26
MG206-5	E			79.5	3.13	28.6	1.125	16.6	0.653	6.4	0.25	1.0	0.04	27.36	18.86
MG206-6	E			86.4	3.4	28.6	1.125	16.6	0.653	6.4	0.25	1.0	0.04	27.36	18.86
MG206-7	H			81.3	3.2	25.4	1	19.6	0.7712			1.0	0.04	27.36	18.86
MG207-1	D	35	1.378	81.9	3.223	27.1	1.067	17.1	0.6743	3.2	0.125	1.0	0.04	38.93	26.78
MG207-2	K			88.4	3.48	31.9	1.255	17.0	0.6693	1.6	0.0625	1.0	0.04	25.67	15.30
MG207-3	M			91.2	3.592	31.9	1.255	21.0	0.8268			1.0	0.04	38.93	26.78
MG207-4	A			94.6	3.725	25.3	0.996	17.0	0.6693	7.9	0.312	1.0	0.04	25.67	15.30
MG207-5	L			101.4	3.991	31.9	1.255	21.0	0.8268			1.0	0.04	38.93	26.78
MG207-6	E			111.2	4.378	30.1	1.185	20.0	0.7874	7.9	0.31	1.0	0.04	38.93	26.78
MG207-7	E			91.9	3.617	31.1	1.225	20.0	0.7874	7.9	0.31	1.0	0.04	38.93	26.78
MG307-1	A	35	1.378	101.6	4	28.6	1.125	21.0	0.8268	9.5	0.375	1.5	0.06	33.33	19.13
MG307-2	K			101.1	3.98	28.6	1.125	21.0	0.8268	3.2	0.125	1.5	0.06	33.33	19.13
MG307-3	J			101.3	3.99	28.6	1.125	21.0	0.8268			1.5	0.06	33.33	19.13
MG307-4	A			101.3	3.99	28.6	1.125	21.0	0.8268	9.5	0.375	1.5	0.06	33.33	19.13
MG307-5	C			101.3	3.99	28.6	1.125	21.0	0.8268	7.0	0.276	1.5	0.06	33.33	19.13
MG307-6	C			101.4	3.993	28.6	1.125	21.0	0.8268	6.1	0.24	1.5	0.06	33.33	19.13
MG307-7	G			114.0	4.49	31.9	1.255	21.0	0.8268	6.4	0.25	1.5	0.06	52.64	34.53
MG307-8	G			114.0	4.49	31.9	1.255	21.0	0.8268	3.2	0.125	1.5	0.06	52.64	34.53
MG307-9	D			101.6	4	28.6	1.125	21.0	0.8268	9.5	0.375	1.5	0.06	52.64	34.53
MG307-10	K			81.9	3.223	31.9	1.255	20.0	0.7874	7.9	0.31	1.5	0.06	33.33	19.13
MG208-1	F	40	1.5748	125.5	4.942	25.4	1	18.0	0.7087			1.0	0.04	29.14	17.88
MG208-2	D			95.0	3.74	28.8	1.135	21.0	0.828	7.9	0.312	1.0	0.04	40.98	28.91
MG308-1	A			113.9	4.485	28.6	1.125	23.0	0.9055	9.5	0.375	1.5	0.06	40.8	24.03
MG308-2	C			108.7	4.2785	31.0	1.22	23.0	0.9055	6.0	0.236	1.5	0.06	40.8	24.03
MG308-3	F			101.6	4	28.6	1.125	23.0	0.9055	6.4	0.25	1.5	0.06	40.8	24.03
MG308-4	E			111.0	4.37	32.2	1.269	21.6	0.85	7.9	0.31	1.5	0.06	56.37	39.00
MG308-13	Y			109.5	4.311	32.0	1.2598	28.0	1.1024	8.0	0.315	1.5	0.06	56.37	39.00
MG5208-1	Q			126.7	4.99	43.1	1.698	30.3	1.1925			1.0	0.04	62.12	55.53
MG5208-2	P			126.7	4.99	42.9	1.688	30.1	1.185	7.9	0.31	2.0	0.08	62.12	55.53
MG209-1	K	45	1.7717	101.0	3.975	28.5	1.121	19.0	0.748	3.2	0.125	2.0	0.08	31.28	20.33
MG309-1	A			127.1	5.003	28.6	1.125	25.0	0.9843	7.9	0.3125	1.5	0.06	52.95	31.95
MG309-2	C			127.1	5.0025	28.6	1.125	25.0	0.9843	7.9	0.3125	1.5	0.06	52.95	31.95
MG309-3	F			125.5	4.942	38.5	1.515	25.0	0.9843			1.5	0.06	52.95	31.95
MG309-4	K			120.7	4.75	31.8	1.25	25.0	0.9843	3.2	0.125	1.0	0.04	52.95	31.95
MG310-1	D	50	1.9685	126.9	4.995	30.2	1.19	25.2	0.994	7.9	0.312	1.5	0.06	59.4	46.72
MG5210-1	P			163.8	6.45	42.9	1.69	30.1	1.185	2.5	0.1	1.0	0.04	69.55	69.73
MG311-1	A	55	2.1654	151.9	5.98	38.1	1.5	29.0	1.1417	11.1	0.437	1.0	0.04	71.55	44.58
MG5211-1	P			159.3	6.27	47.9	1.885	38.6	1.518	1.5	0.06	1.5	0.06	84.06	83.97



Mast guide bearings

Bearing number	Style	Dimensions												Basic load ratings (KN)	
		d		D		C		B		R		r min			
		(mm)	(in)	(mm)	(in)	(mm)	(in)	(mm)	(in)	(mm)	(in)	(mm)	(in)	Cr	Cor
MG5211-2	N	55	2.1654	151.9	5.98	47.9	1.885	35.1	1.381	1.5	0.06	1.5	0.06	84.06	83.97
MG5311-1	N			163.6	6.44	49.2	1.9375	52.5	2.067	11.1	0.437	3.0	0.118	138.26	129.40
MG5212-1	P	60	2.3622	189.5	7.46	54.1	2.13	36.5	1.4375	6.4	0.25	1.5	0.06	102.79	104.44
MG5213-1	P	65	2.5591	188.3	7.412	52.3	2.06	46.8	1.843	1.5	0.06	1.5	0.06	123.22	127.00
MGR206-1	X	30	1.1811	75.7	2.98	24.0	0.9449	20.8	0.8189	4.0	0.158	1.0	0.04	70	65.00

Bearing number	Style	Dimensions												Basic load ratings (KN)	
		d		D		C		B		E		r min			
		(mm)	(in)	(mm)	(in)	(mm)	(in)	(mm)	(in)	(mm)	(in)	(mm)	(in)	Cr	Cor
CG205-01	R	25	0.9843	63.5	2.5	23.1	0.91	15.9	0.625	18.3	0.72	2.0	0.08	14.01	7.80
CG5206-1	T	30	1.1811	108.0	4.25	38.6	1.52	23.8	0.937	31.8	1.25	1.0	0.04	41.83	35.42
CG207-1	V	35	1.3780	80.6	3.172	17.0	0.6693	17.0	0.6693	11.7	0.459	1.0	0.04	25.67	15.30
CG307-1	S			111.1	4.375	38.1	1.5	21.0	0.8268	27.9	1.1	1.5	0.06	38.93	26.78
CG307-2	R			119.0	4.685	38.1	1.5	46.4	1.8268	28.4	1.12	1.5	0.06	33.33	19.13
CG5207-1	T			94.0	3.7	34.8	1.37	30.2	1.1875	28.2	1.11	0.5	0.02	42.23	42.58
CG308-1	R	40	1.5748	118.0	4.646	32.0	1.26	23.0	0.9055	26.0	1.024	1.5	0.06	40.8	24.03
CG5208-1	T			143.0	5.63	34.8	1.37	30.2	1.1875	28.2	1.11	1.0	0.04	62.12	55.53
CG5208-2	T			120.9	4.76	34.8	1.37	30.2	1.1875	25.7	1.01	1.0	0.04	62.12	55.53
CG309-1	S	45	1.7717	130.3	5.13	39.4	1.55	25.0	0.9843	29.7	1.17	1.5	0.06	52.82	31.68
CG5309-1	T			121.0	4.763	55.3	2.177	51.3	2.019	44.3	1.744	1.0	0.04	81.43	60.16
CG5210-1	T	50	1.9685	127.3	5.01	35.8	1.41	30.5	1.2025	28.2	1.11	1.5	0.06	80.63	94.91
CGR208	W	40	1.5748	100.0	3.937	36.0	1.417	26.0	1.023	25.0	0.9843	1.5	0.06	58.4	66.00