



Contents

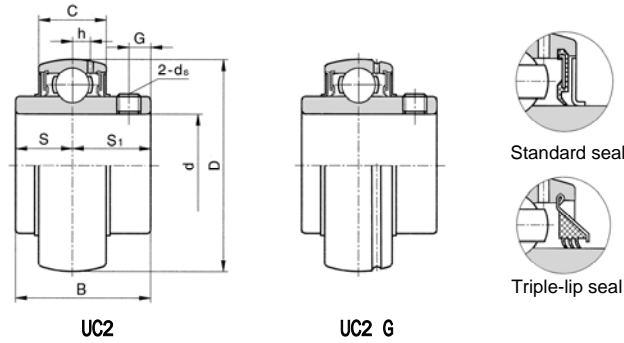
Bearings inserts with setscrews	1
UC2	
UCX	
UC3	
SB1	
SB2	
SB2H	
SER2	
Bearings inserts with eccentric collar	13
NA2	
SA1	
SA2H	
SA2F	
Bearings inserts with adapter sleeves	20
UK2	
Bearings inserts with T-locking collar	22
SD2	
ND2	
UR2	
Bearings inserts	28
SC1 SC2 SC3	
Pillow block units	30
UCP2	
UCPX	
UCP3	
NAP2	
UKP2+H23	
SAP2	
SBP2H	
SAPL2	
UCLP2	
ALP2	
BLP2	
UCPA2	
UCPH2	



Four bolts flange units	55
UCF2	
UCFX	
UCF3	
UKF2+H23	
SAF2	
NANF2	
Two bolts flange units	67
UCFL2	
UCFLX	
UCFL3	
UKF2+H23	
SAFL2	
NANFL2	
SAFD2	
SBFD2	
SAPFTD2	
SBPFTD2	
Three bolts malleable flange units	82
SATRD2	
SBTRD2	
Take-up units	84
UCT2	
UCTX	
UCT3	
SATRS2	
SBTRS2	
Four bolts flange cartridge units	92
UCFC2	
UCFCX	
Cartridge units	
UCC2	
UCCX	
UCC3	
Other type units	100
UCFA2	
UCFB2	
UCHA2	
BE2 PE2	



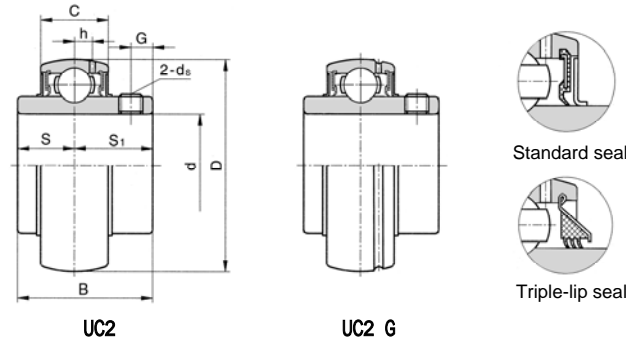
Pressed housing units	107
SAPPL2	
SAPP2	
SBPP2	
SAPF2	
SBPF2	
SAPFT2	
SBPFT2	
SAPFL2	
SBPFL2	
PCSLT1	
Rubber housing units	117
SAR2	
SBA2	
RC2	
RCS2	
RCSM2	
RCSMS2	
Spherical roller bearing units	123
SRP	
SRPE	
SRF	
SRFS	
SRFC	
SRT	
Spherical roller bearings with wide inner ring	129
SR22	



Bearing number	Shaft size		Dimensions (mm)								Basic load ratings (KN)		Mass (kg) (lbs)
	d		Dimensions (inch)								Cr	Cor	
	(in.)	(mm)	D	B	C	S	S1	G	h	ds			
UCW201 201-8	1/2	12	40 1.5748	26 1.0236	15 0.5906	10 0.3937	16 0.6299	4 0.1575	3.4 0.1339	M5 × 0.8 10-32UNF	9.5	4.7	0.16 0.35
UCW202 202-10	5/8	15	40 1.5748	26 1.0236	15 0.5906	10 0.3937	16 0.6299	4 0.1575	3.4 0.1339	M5 × 0.8 10-32UNF	9.5	4.7	0.13 0.29
UCW203 203-11	11/16	17	40 1.5748	26 1.0236	15 0.5906	10 0.3937	16 0.6299	4 0.1575	3.4 0.1339	M5 × 0.8 10-32UNF	9.5	4.7	0.1 0.22
UC201 201-8	1/2	12	47 1.8504	31 1.2205	16 0.6299	12.7 0.5	18.3 0.7205	5 0.1969	4 0.1575	M6 × 0.75 1/4-28UNF	9.5	6.6	0.21 0.46
UC202 202-10	5/8	15	47 1.8504	31 1.2205	16 0.6299	12.7 0.5	18.3 0.7205	5 0.1969	4 0.1575	M6 × 0.75 1/4-28UNF	12.8	6.6	0.19 0.42
UC203 203-11	11/16	17	47 1.8504	31 1.2205	16 0.6299	12.7 0.5	18.3 0.7205	5 0.1969	4 0.1575	M6 × 0.75 1/4-28UNF	12.8	6.6	0.18 0.4
UC204 204-12	3/4	20	47 1.8504	31 1.2205	16 0.6299	12.7 0.5	18.3 0.7205	5 0.1969	4 0.1575	M6 × 0.75 1/4-28UNF	12.8	6.6	0.16 0.35
UC205 205-14 205-15 205-16	7/8 15/16 1	25	52 2.0472	31.4 1.2362	17 0.6693	14.3 0.563	19.8 0.7795	5.5 0.2165	4.2 0.1654	M6 × 0.75 1/4-28UNF M6 × 0.75 M6 × 0.75	14	7.8	0.21 0.46
UC206 206-17 206-18 206-19 206-20	1 1/16 1 1/8 1 3/16 1 1/4	30	62 2.4409	38.1 1.5	19 0.748	15.9 0.626	22.2 0.874	6 0.2362	4.8 0.189	M6 × 0.75 1/4-28UNF	19.4	11.2	0.32 0.7
UC207 207-20 207-21 207-22 207-23	1 1/4 1 5/16 1 3/8 1 7/16	35	72 2.8346	42.9 1.689	20 0.7874	17.5 0.689	25.4 1	6.5 0.2559	5.4 0.2126	M8 × 1 5/16-24UNF	25.6	15.2	0.47 1.04
UC208 208-24 208-25	1 1/2 1 9/16	40	80 3.1496	49.2 1.937	21 0.8268	19 0.748	30.2 1.189	8 0.315	5.9 0.2323	M8 × 1 5/16-24UNF M8 × 1	32.6	19.8	0.64 1.41
UC209 209-26	1 5/8	45	85 3.3465	49.2 1.937	22 0.8661	19 0.748	30.2 1.189	8 0.315	6.1 0.2402	M8 × 1 5/16-24UNF	32.7	20.4	0.68 1.5



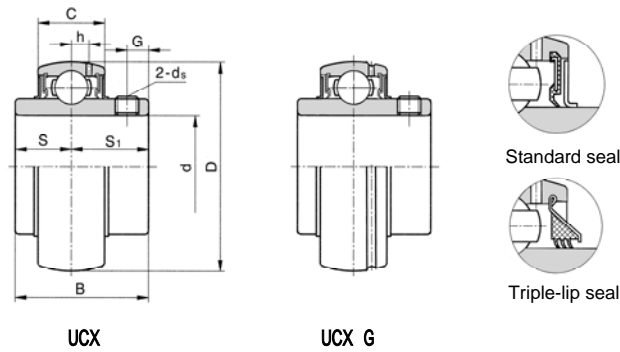
Bearings inserts with setscrews



Bearing number	Shaft size		Dimensions (mm)								Basic load ratings (KN)		Mass (kg) (lbs)
	d		Dimensions (inch)								Cr	Cor	
	(in.)	(mm)	D	B	C	S	S1	G	h	ds			
209-27 209-28	1 11/16 1 3/4		3.3465	1.937	0.8661	0.748	1.189	0.315	0.2402	5/16-24UNF			1.5
UC210 210-30 210-31 210-32	1 7/8 1 15/16 2	50	90 3.5433	51.6 2.0315	24 0.9449	19 0.748	32.6 1.2835	9 0.3543	6.5 0.2559	M10 x 1.25 3/8-24UNF	35	23.1	0.81 1.78
UC211 211-32 211-34 211-35	2 2 1/8 2 3/16	55	100 3.937	55.6 2.189	25 0.9843	22.2 0.874	33.4 1.315	9 0.3543	7.1 0.2795	M10 x 1.25 3/8-24UNF M10x1.25 M10x1.25	43.3	29.2	1.12 2.47
UC212 212-36 212-37 212-38 212-39	2 1/4 2 5/16 2 3/8 2 7/16	60	110 4.3307	65.1 2.563	27 1.063	25.4 1	39.7 1.563	10.5 0.4134	7.6 0.2992	M10 x 1.25 3/8-24UNF M10x1.25 M10x1.25 M10x1.25	47.7	32.9	1.53 3.37
UC213 213-40	2 1/2	65	120 4.7244	65.1 2.563	28 1.1024	25.4 1	39.7 1.563	12 0.4724	8.5 0.3346	M10 x 1.25 3/8-24UNF	57.2	40	1.86 4.1
UC214 214-43 214-44	2 11/16 2 3/4	70	125 4.9213	74.6 2.937	30 1.1811	30.2 1.189	44.4 1.748	12 0.4724	8.9 0.3504	M12 x 1.5 1/2-20UNF	62.2	44	2.05 4.52
UC215 215-46 215-47 215-48	2 7/8 2 15/16 3	75	130 5.1181	77.8 3.063	32 1.2598	33.3 1.311	44.5 1.752	12 0.4724	9 0.3543	M12 x 1.5 1/2-20UNF M12x1.5 M12x1.5	66.1	49.5	2.21 4.87
UC216		80	140 5.5118	82.6 3.252	33 1.2992	33.3 1.311	49.3 1.9409	14 0.5512	9 0.3543	M12 x 1.5 1/2-20UNF	72.5	53	2.79 6.14
UC217 217-52	3 1/4	85	150 5.9055	85.7 3.374	35 1.378	34.1 1.3425	51.6 2.0315	14 0.5512	10 0.3937	M12 x 1.5 1/2-20UNF	83.5	64	3.38 7.44
UC218 218-56	3 1/2	90	160 6.2992	96 3.7795	37 1.4567	39.7 1.563	56.3 2.2165	15 0.5906	10.5 0.4134	M12 x 1.5 1/2-20UNF	96	71.5	4.45 9.8
UC220 220-64	4	95	180 7.0866	108 4.252	40 1.5748	42 1.6535	66 2.5984	16 0.6299	12.1 0.4764	M16 x 1.5 5/8-18UNF	127	93	6.58 14.47



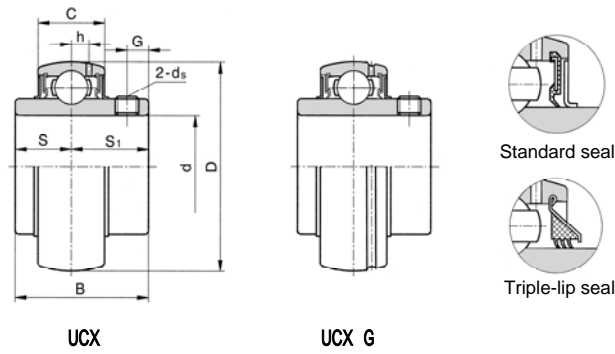
Bearings inserts with setscrews



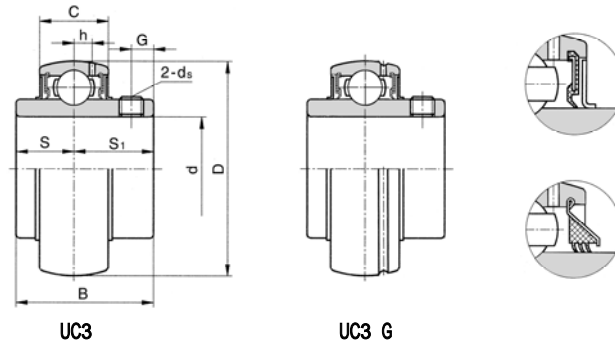
Bearing number	Shaft size		Dimensions (mm)								Basic load ratings (KN)		Mass (kg) (lbs)
	d		Dimensions (inch)								Cr	Cor	
	(in.)	(mm)	D	B	C	S	S1	G	h	ds			
UCX05 X05-16	1	25	62 2.4409	38.1 1.5	19 0.748	15.9 0.626	22.2 0.874	6 0.2362	4.8 0.189	M6 × 0.75 1/4-28UNF	19.4	11.2	0.39 0.86
UCX06 X06-19 X06-20	1 3/16 1 1/4	30	72 2.8346	42.9 1.689	20 0.7874	17.5 0.689	25.4 1	6.5 0.2559	5.4 0.2126	M8 × 1 5/16-24UNF M8×1	25.6	15.2	0.58 1.28
UCX07 X07-22 X07-23	1 3/8 1 7/16	35	80 3.1496	49.2 1.937	21 0.8268	19 0.748	30.2 1.189	8 0.315	5.9 0.2323	M8 × 1 5/16-24UNF M8×1	32.6	19.8	0.75 1.65
UCX08 X08-24	1 1/2	40	85 3.3465	49.2 1.937	22 0.8661	19 0.748	30.2 1.189	8 0.315	6.1 0.2402	M8 × 1 5/16-24UNF	32.7	20.4	0.83 1.83
UCX09 X09-27 X09-28	1 11/16 1 3/4	45	90 3.5433	51.6 2.0315	24 0.9449	19 0.748	32.6 1.2835	9 0.3543	6.5 0.2559	M10 × 1.25 3/8-24UNF	35	23.1	0.95 2.09
UCX10 X10-31 X10-32	1 15/16 2	50	100 3.937	55.6 2.189	25 0.9843	22.2 0.874	33.4 1.315	9 0.3543	7.1 0.2795	M10 × 1.25 3/8-24UNF	43.3	29.2	1.29 2.84
UCX11 X11-35 X11-36	2 3/16 2 1/4	55	110 4.3307	65.1 2.563	27 1.063	25.4 1	39.7 1.563	10.5 0.4134	7.6 0.2992	M10 × 1.25 3/8-24UNF	47.7	32.9	1.8 3.96
UCX12 X12-38 X12-39	2 3/8 2 7/16	60	120 4.7244	65.1 2.563	28 1.1024	25.4 1	39.7 1.563	12 0.4724	8.5 0.3346	M12 × 1.5 1/2-20UNF	57.2	40	2.05 4.52
UCX13 X13-40	2 1/2	65	125 4.9213	74.6 2.937	30 1.1811	30.2 1.189	44.4 1.748	12 0.4724	8.9 0.3504	M12 × 1.5 1/2-20UNF	62.2	44	2.52 5.6
UCX14 X14-44	2 3/4	70	130 5.1181	77.8 3.063	32 1.2598	33.3 1.311	44.5 1.752	12 0.4724	9 0.3543	M12 × 1.5 1/2-20UNF	66.1	49.5	2.74 6.03
UCX15 X15-48	3	75	140 5.5118	82.6 3.252	33 1.2992	33.3 1.311	49.3 1.9409	14 0.5512	9 0.3543	M12 × 1.5 1/2-20UNF	72.5	53	3.41 7.51



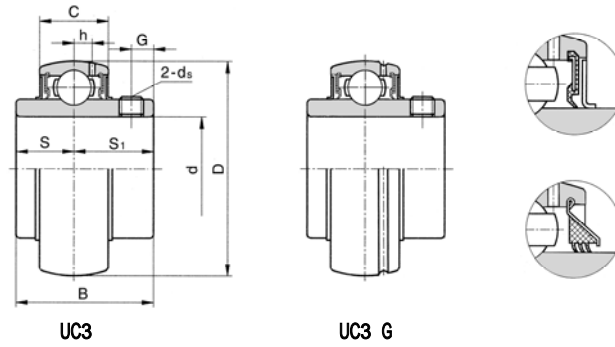
Bearings inserts with setscrews



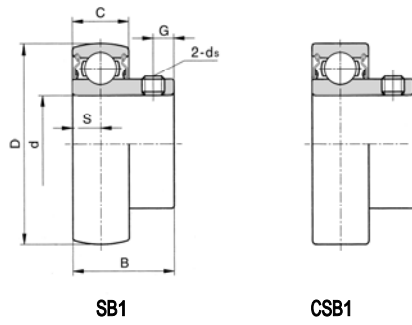
Bearing number	Shaft size		Dimensions (mm)								Basic load ratings (KN)		Mass (kg) (lbs)
	d		Dimensions (inch)								Cr	Cor	
	(in.)	(mm)	D	B	C	S	S ₁	G	h	ds			
UCX16		80	150 5.9055	85.7 3.374	35 1.378	34.1 1.3425	51.6 2.0315	14 0.5512	10 0.3937	M12 × 1.5 1/2-20UNF	83.5	64	3.87 8.52
UCX17 X17-52	3 1/4	85	160 6.2992	96 3.7795	37 1.4567	39.7 1.563	56.3 2.2165	15 0.5906	10.5 0.4134	M12 × 1.5 1/2-20UNF	96	71.5	5.03 11.08
UCX18 X18-56	3 1/2	90	170 6.6929	104 4.0945	40 1.5748	42.9 1.689	61.1 2.4055	16 0.6299	12 0.4724	M14 × 1.5 1/2-20UNF	110.3	82.5	5.99 13.19
UCX20 X20-64	4	100	190 7.4803	117.5 4.626	43 1.6929	49.2 1.937	68.3 2.689	18 0.7087	13.5 0.5315	M16 × 1.5 5/8-18UNF	133.2	104.8	8.57 18.88



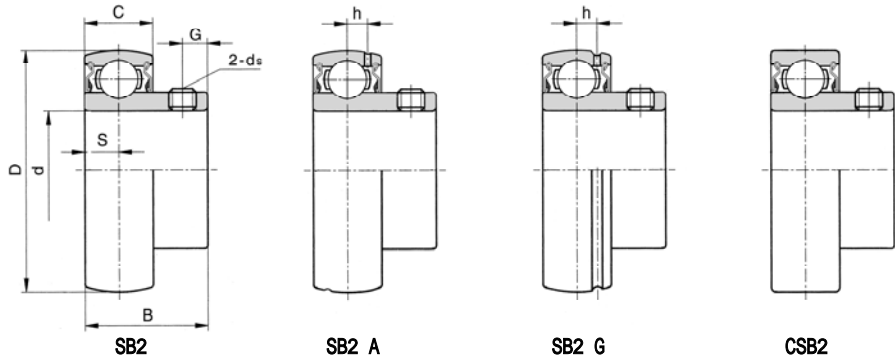
Bearing number	Shaft size		Dimensions (mm)								Basic load ratings (KN)		Mass (kg) (lbs)
	d		Dimensions (inch)								Cr	Cor	
	(in.)	(mm)	D	B	C	S	S1	G	h	ds			
UC305		25	62	38	22	15	23	6	6.2	M6×0.75	22.4	11.5	0.45
305-14	7/8												
305-15	15/16		2.4409	1.4961	0.8661	0.5906	0.9055	0.2362	0.2441	1/4-28UNF			0.99
305-16	1												
UC306		30	72	43	24	17	26	6	6.5	M6×0.75	28.1	15.8	0.56
306-17	1 1/16												
306-18	1 1/8		2.8346	1.6929	0.9449	0.6693	1.0236	0.2362	0.2559	1/4-28UNF			1.23
306-19	1 3/16												
306-20	1 1/4												
UC307		35	80	48	26	19	29	6	7.2	M8×1	33.4	19.2	0.71
307-20	1 1/4												
307-21	1 5/16		3.1496	1.8898	1.0236	0.748	1.1417	0.2362	0.2835	5/16-24UNF			1.56
307-22	1 3/8												
307-23	1 7/16												
UC308		40	90	52	28	19	33	10	8.5	M10 × 1.25	40.7	24	1
308-24	1 1/2		3.5433	2.0472	1.1024	0.748	1.2992	0.3937	0.3346	3/8-24UNF			2.2
308-25	1 9/16												
UC309		45	100	57	30	22	35	10	9	M10 × 1.25	52.8	31.8	1.33
309-26	1 5/8												
309-27	1 11/16		3.937	2.2441	1.1811	0.8661	1.378	0.3937	0.3543	3/8-24UNF			2.93
309-28	1 3/4												
UC310		50	110	61	32	22	39	12	9.9	M12×1.5	61.8	37.9	1.69
310-30	1 7/8												
310-31	1 15/16		4.3307	2.4016	1.2598	0.8661	1.5354	0.4724	0.3898	1/2-20UNF			3.72
310-32	2												
UC311		55	120	66	34	25	41	12	10.6	M12×1.5	71.6	44.8	1.9
311-32	2												
311-34	2 1/8		4.7244	2.5984	1.3386	0.9843	1.6142	0.4724	0.4173	1/2-20UNF			4.18
311-35	2 3/16												
UC312		60	130	71	36	26	45	12	11.3	M12×1.5	81.8	51.8	2.6
312-36	2 1/4												
312-37	2 5/16		5.1181	2.7953	1.4173	1.0236	1.7717	0.4724	0.4449	1/2-20UNF			5.73
312-38	2 3/8												
312-39	2 7/16												



Bearing number	Shaft size		Dimensions (mm)								Basic load ratings (KN)		Mass (kg) (lbs)
	d		Dimensions (inch)								Cr	Cor	
	(in.)	(mm)	D	B	C	S	S1	G	h	ds			
UC313		65	140	75	38	30	45	12	12.1	M12×1.5	97.5	60	3.16
313-40	2 1/2		5.5118	2.9528	1.4961	1.1811	1.7717	0.4724	0.4764	1/2-20UNF			6.95
313-41	2 9/16												
UC314		70	150	78	40	33	45	12	12.8	M12×1.5	111	68	3.9
314-42	2 5/8		5.9055	3.0709	1.5748	1.2992	1.7717	0.4724	0.5039	1/2-20UNF			8.58
314-43	2 11/16												
314-44	2 3/4												
UC315		75	160	82	42	32	50	14	13.5	M14×1.5	119	76.5	4.7
315-45	2 13/16		6.2992	3.2283	1.6535	1.2598	1.9685	0.5512	0.5315	9/16-18UNF			10.34
315-46	2 7/8												
315-47	2 15/16												
315-48	3												
UC316		80	170	86	44	34	52	14	14.5	M14×1.5	130	86.5	5.6
316-49	3 1/16		6.6929	3.3858	1.7323	1.3386	2.0472	0.5512	0.5709	9/16-18UNF			12.32
316-50	3 1/8												
316-51	3 3/16												
UC317		85	180	96	46	40	56	16	15.5	M16×1.5	140	96.5	6.9
317-52	3 1/4		7.0866	3.7795	1.811	1.5748	2.2047	0.6299	0.6102	5/8-18UNF			15.18
317-53	3 5/16												
317-55	3 7/16												
UC318		90	190	96	48	40	56	16	16.5	M16×1.5	151	108	7.87
318-55	3 7/16		7.4803	3.7795	1.8898	1.5748	2.2047	0.6299	0.6496	5/8-18UNF			17.314
318-56	3 1/2												
UC319		95	200	103	50	41	62	16	18	M16×1.5	159	118	8.91
319-58	3 5/8		7.874	4.0551	1.9685	1.6142	2.4409	0.6299	0.7087	5/8-18UNF			19.6
319-59	3 11/16												
319-60	3 3/4												
UC320		100	215	108	54	42	66	18	19	M18×1.5	174	140	11.2
320-61	3 13/16		8.4646	4.252	2.216	1.6535	2.5984	0.7087	0.748	5/8-18UNF			24.64
320-62	3 7/8												
320-63	3 15/16												
320-64	4												



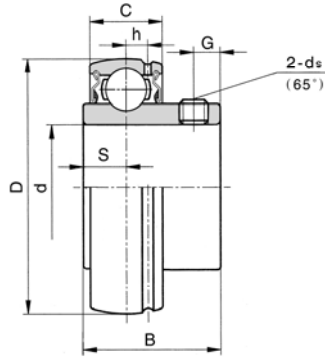
Bearing number	Shaft size	Dimensions (mm)						Basic load ratings (KN)		Mass (kg)
	d	D	B	C	S	G	ds			
	(mm)									
SB103	17	35	17.5	10	5	3.5	M4×0.7	6	2.8	0.05
SB104	20	42	21	12	6	4	M5×0.8	9.4	5	0.08
SB105	25	47	22.5	12	6	4.5	M5×0.8	10.1	5.8	0.1
SB106	30	55	24.5	13	6.5	5.5	M5×0.8	13.2	8.2	0.15



Bearing number	Shaft size		Dimensions (mm)							Basic load ratings (KN)		Mass (kg) (lbs)
	d		Dimensions (inch)							Cr	Cor	
	(in.)	(mm)	D	B	C	S	h	G	ds			
SB201 201-8	1/2	12	40 1.5748	22 0.8661	12 0.4724	6 0.2362	3.4 0.1339	4 0.1575	M5 × 0.8 10-32UNF	9.5	4.7	0.1 0.22
SB202 202-10	5/8	15	40 1.5748	22 0.8661	12 0.4724	6 0.2362	3.4 0.1339	4 0.1575	M5 × 0.8 10-32UNF	9.5	4.7	0.09 0.2
SB203 203-11	11/16	17	40 1.5748	22 0.8661	12 0.4724	6 0.2362	3.4 0.1339	4 0.1575	M5 × 0.8 10-32UNF	9.5	4.7	0.08 0.18
SB204 204-12	3/4	20	47 1.8504	25 0.9843	14 0.5512	7 0.2756	4 0.1575	5 0.1969	M6 × 0.75 1/4-28UNF	12.8	6.6	0.13 0.27
SB205 205-14 205-15 205-16	7/8 15/16 1	25	52 2.0472	27 1.0630	15 0.5906	7.5 0.2953	4.2 0.1654	5.5 0.2165	M6 × 0.75 1/4-28UNF	14	7.8	0.17 0.37
SB206 206-17 206-18 206-19 206-20	1 1/16 1 1/8 1 3/16 1 1/4	30	62 2.4409	30 1.1811	16 0.6299	8 0.3150	4.8 0.1890	6 0.2362	M6 × 0.75 1/4-28UNF	19.4	11.2	0.26 0.57
SB207 207-20 207-21 207-22 207-23	1 1/4 1 5/16 1 3/8 1 7/16	35	72 2.8346	32 1.2598	17 0.6693	8.5 0.3346	5.4 0.2126	6.5 0.2559	M8 × 1 5/16-24UNF	25.6	15.2	0.38 0.84
SB208 208-24 208-25	1 1/2 1 9/16	40	80 3.1496	34 1.3386	18 0.7087	9 0.3543	5.9 0.2323	8 0.3150	M8 × 1 5/16-24UNF	32.6	19.8	0.5 1.1



Bearings inserts with setscrews

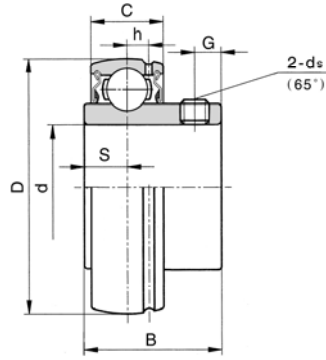


SB2 H

Bearing number	Shaft size		Dimensions (mm)							Basic load ratings (KN)		Mass (kg) (lbs)
	d		(inch)							Cr	Cor	
	(in.)	(mm)	D	B	C	S	h	G	ds			
SB201H 201-8H	1/2	12	40 1.5748	25.4 1	13 0.5118	9 0.3543	3.4 0.1339	4 0.1575	M5 × 0.8 10-32UNF	9.5	4.7	0.11 0.24
SB202H 202-10H	5/8	15	40 1.5748	25.4 1	13 0.5118	9 0.3543	3.4 0.1339	4 0.1575	M5 × 0.8 10-32UNF	9.5	4.7	0.1 0.22
SB203H 203-11H	11/16	17	40 1.5748	25.4 1.0000	13 0.5118	9 0.3543	3.4 0.1339	4 0.1575	M5 × 0.8 10-32UNF	9.5	4.7	0.09 0.2
SB204H 204-12H	3/4	20	47 1.8504	29.2 1.1496	15 0.5906	10.8 0.4252	4 0.1575	5 0.1969	M6 × 0.75 1/4-28UNF	12.8	6.6	0.14 0.31
SB205H 205-14H 205-15H 205-16H	7/8 15/16 1	25	52 2.0472	30.1 1.1850	15 0.5906	10.8 0.4252	4.2 0.1654	5.5 0.2165	M6 × 0.75 1/4-28UNF	14	7.8	0.17 0.37
SB206H 206-17H 206-18H 206-19H 206-20H	1 1/16 1 1/8 1 3/16 1 1/4	30	62 2.4409	35.3 1.3898	18 0.7087	12.3 0.4843	4.8 0.1890	6 0.2362	M6 × 0.75 1/4-28UNF	19.4	11.2	0.28 0.62
SB207H 207-20H 207-21H 207-22H 207-23H	1 1/4 1 5/16 1 3/8 1 7/16	35	72 2.8346	39 1.5354	19 0.7480	12.8 0.5039	5.4 0.2126	6.5 0.2559	M8 × 1 5/16-24UNF	25.6	15.2	0.41 0.9
SB208H 208-24H 208-25H	1 1/2 1 9/16	40	80 3.1496	42.7 1.6811	22 0.8661	15 0.5906	5.9 0.2323	8 0.3150	M8 × 1 5/16-24UNF	32.6	19.8	0.54 1.19
SB209H 209-26H 209-27H 209-28H	1 5/8 1 11/16 1 3/4	45	85 3.3465	43.5 1.7126	22 0.8661	15 0.5906	6.1 0.2402	8 0.3150	M8 × 1 5/16-24UNF	32.7	20.4	0.6 1.32
SB210H 210-30H	1 7/8	50	90 3.5433	44.3 1.7441	22 0.8661	15 0.5906	6.5 0.2559	9 0.3543	M10 × 1.25 3/8-24UNF	35	23.1	0.65 1.43



Bearings inserts with setscrews

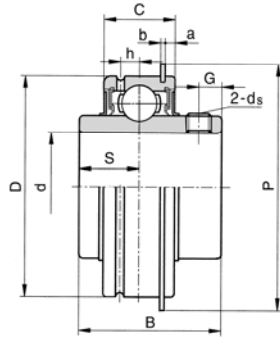


SB2 H

Bearing number	Shaft size		Dimensions (mm)							Basic load ratings (KN)		Mass (kg) (lbs)
	d		(inch)							Cr	Cor	
	(in.)	(mm)	D	B	C	S	h	G	ds			
210-31H 210-32H	1 15/16 2		3.5433	1.7441	0.8661	0.5906	0.2559	0.3543	3/8-24UNF	35	23.1	1.43
SB211H 211-32H 211-34H 211-35H	2 2 1/8 2 3/16	55	100 3.9370	46.9 1.8465	24 0.9449	16 0.6299	7.1 0.2795	9 0.3543	M10 × 1.25 3/8-24UNF	43.3	29.2	0.9 1.98
SB212H 212-36H 212-37H 212-38H 212-39H	2 1/4 2 5/16 2 3/8 2 7/16	60	110 4.3307	50.3 1.9803	26 1.0236	17 0.6693	7.6 0.2992	10.5 0.4134	M10 × 1.25 3/8-24UNF	47.7	32.9	1.19 2.62
SB214H 214-43H 214-44H	2 11/16 2 3/4	70	125 4.9213	56.8 2.2362	28 1.1024	20.3 0.7992	8.9 0.3504	12 0.4724	M10 × 1.25 3/8-24UNF	62.2	44	1.62 3.57
SB215H 215-46H 215-47H 215-48H	2 7/8 2 15/16 3	75	130 5.1181	58.1 2.2874	29 1.1417	20.9 0.8228	9.2 0.3622	12 0.4724	M10 × 1.25 3/8-24UNF	66.1	49.5	1.72 3.79



Bearings inserts completing with snap ring

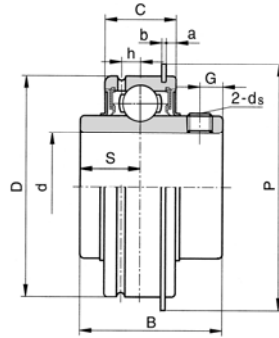


SER2

Bearing number	Shaft size		Dimensions (mm)										Basic load ratings (KN)		Mass (kg) (lbs)
	d		Dimensions (inch)										Cr	Cor	
	(in.)	(mm)	D	B	C	S	a	b	P	G	h	ds			
SER201 201-8	1/2	12	47 1.8504	31 1.2205	16 0.6299	12.7 0.5000	2.38 0.0937	1.07 0.0421	52.5 2.0669	5 0.1969	4 0.1575	M6×0.75 1/4-28UNF	12.8	6.6	0.22 0.48
SER202 202-10	5/8	15	47 1.8504	31 1.2205	16 0.6299	12.7 0.5000	2.38 0.0937	1.07 0.0421	52.5 2.0669	5 0.1969	4 0.1575	M6×0.75 1/4-28UNF	12.8	6.6	0.22 0.48
SER203 203-11	11/16	17	47 1.8504	31 1.2205	16 0.6299	12.7 0.5000	2.38 0.0937	1.07 0.0421	52.5 2.0669	5 0.1969	4 0.1575	M6×0.75 1/4-28UNF	12.8	6.6	0.22 0.48
SER204 204-12	3/4	20	47 1.8504	31 1.2205	16 0.6299	12.7 0.5000	2.38 0.0937	1.07 0.0421	52.5 2.0669	5 0.1969	4 0.1575	M6×0.75 1/4-28UNF	12.8	6.6	0.21 0.46
SER205 205-14 205-15 205-16	7/8 15/16 1	25	52 2.0472	34.1 1.3425	19 0.7480	14.3 0.5630	2.38 0.0937	1.07 0.0421	57.7 2.2717	5.5 0.2165	4.5 0.1772	M6×0.75 1/4-28UNF	14	7.8	0.27 0.59
SER206 206-17 206-18 206-19 206-20	1 1/16 1 1/8 1 3/16 1 1/4	30	62 2.4409	38.1 1.5000	22 0.8661	15.9 0.6260	3.18 0.1252	1.65 0.0650	67.5 2.6575	6 0.2362	5.5 0.2165	M6×0.75 1/4-28UNF	19.4	1.2	0.39 0.86
SER207 207-20 207-21 207-22 207-23	1 1/4 1 5/16 1 3/8 1 7/16	35	72 2.8346	42.9 1.6890	24 0.9449	17.5 0.6890	3.18 0.1252	1.65 0.0650	78.4 3.0866	6.5 0.2559	6.5 0.2559	M8×1 5/16-24UNF	25.6	15.2	0.63 1.39
SER208 208-24 208-25	1 1/2 1 9/16	40	80 3.1496	49.2 1.9370	28 1.1024	19 0.7480	3.18 0.1252	1.65 0.065	86.4 3.4016	8 0.3150	8 0.3150	M8×1 5/16-24UNF	32.6	19.8	0.81 1.78
SER209 209-26 209-27 209-28	1 5/8 1 11/16 1 3/4	45	85 3.3465	49.2 1.937	28 1.1024	19 0.7480	3.18 0.1252	1.65 0.0650	91.4 3.5984	8 0.3150	8 0.3150	M8×1 5/16-24UNF	32.7	20.4	0.9 1.98
SER210 210-30 210-31 210-32	1 7/8 1 15/16 2	50	90 3.5433	51.6 2.0315	28 1.1024	19 0.7480	3.18 0.1252	2.41 0.0949	96.3 3.7913	9 0.3543	6.5 0.2559	M10 × 1.25 3/8-24UNF	35	23.1	0.98 2.16



Bearings inserts completing with snap ring

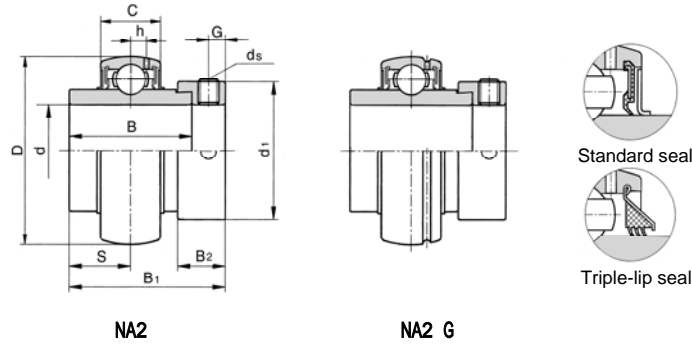


SER2

Bearing number	Shaft size		Dimensions (mm)										Basic load ratings (KN)		Mass (kg) (lbs)
	d		Dimensions (inch)										Cr	Cor	
	(in.)	(mm)	D	B	C	S	a	b	P	G	h	ds			
SER211		55	100	55.6	30	22.2	3.18	2.41	106.3	9	7.5	M10 × 1.25	43.3	29.2	1.41
211-32	2														
211-34	2 1/8		3.9370	2.1890	1.1811	0.8740	0.1252	0.0949	4.1850	0.3543	0.2953	3/8-24UNF			3.1
211-35	2 3/16														
SER212		60	110	65.1	32	35.4	3.18	2.41	116.4	10.5	8.5	M10 × 1.25	47.7	32.9	1.89
212-36	2 1/4														
212-37	2 5/16		4.3307	2.5630	1.2598	1.3937	0.1252	0.0949	4.5827	0.4134	0.3346	3/8-24UNF			4.16
212-38	2 3/8														
212-39	2 7/16														
SER214		70	125	74.6	35	30.2	3.96	2.77	134.5	12	9.5	M12×1.5	62.2	44	2.52
214-40	2 1/2														
214-43	2 11/16		4.9213	2.9370	1.3780	1.1890	0.1559	0.1091	5.2953	0.4724	0.3740	1/2-20UNF			5.55
SER215		75	130	77.8	38	33.3	3.96	2.77	139.7	12	9.5	M12×1.5	66.1	49.2	3.12
215-46	2 7/8														
215-47	2 15/16		5.1181	3.0630	1.4961	1.3110	0.1559	0.1091	5.5000	0.4724	0.3740	1/2-20UNF			6.87
215-48	3														
SER216		80	140	82.6	35	33.3	4.9	2.82	149.7	12	9	M12×1.5 1/2-20UNF	72.5	53	2.89 6.36
SER217		85	150	85.7	36	34.1	4.9	2.82	159.7	12	10	M12×1.5	83.5	64	3.47
217-52	3 1/4		5.9055	3.3740	1.3780	1.3425	0.1929	0.1110	6.2874	0.5512	0.3937	1/2-20UNF			7.63
SER218		90	160	96	37	39.7	4.9	2.82	169.7	12	10.5	M12×1.5	96	71.5	4.46
218-56	3 1/2		6.2992	3.7795	1.4567	1.5630	0.1929	0.1110	6.6811	0.5906	0.4134	1/2-20UNF			9.81



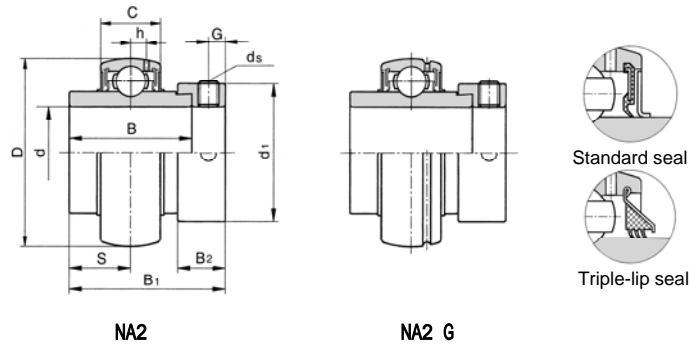
Bearings inserts with eccentric collar



Bearing number	Shaft size		Dimensions (mm)										Basic load ratings (KN)		Mass (kg) (lbs)
	d		(inch)										Cr	Cor	
	(in.)	(mm)	D	B1	B	C	S	d1	B2	h	G	ds			
NA201 201-8	1/2	12	47 1.8504	43.5 1.7126	34 1.3386	16 0.6299	17 0.6693	33.3 1.3110	13.5 0.5315	4 0.1575	5 0.1969	M6 × 0.75 1/4-28UNF	12.8	6.6	0.27 0.59
NA202 202-10	5/8	15	47 1.8504	43.5 1.7126	34 1.3386	16 0.6299	17 0.6693	33.3 1.3110	13.5 0.5315	4 0.1575	5 0.1969	M6 × 0.75 1/4-28UNF	12.8	6.6	0.25 0.55
NA203 203-11	11/16	17	47 1.8504	43.5 1.7126	34 1.3386	16 0.6299	17 0.6693	33.3 1.3110	13.5 0.5315	4.0 0.1575	5.0 0.1969	M6 × 0.75 1/4-28UNF	12.8	6.6	0.24 0.53
NA204 204-12	3/4	20	47 1.8504	43.5 1.7126	34 1.3386	16 0.6299	17 0.6693	33.3 1.3110	13.5 0.5315	4 0.1575	5 0.1969	M6 × 0.75 1/4-28UNF	12.8	6.6	0.22 0.48
NA205 205-14 205-15 205-16	7/8 15/16 1	25	52 2.0472	44.3 1.7441	34.8 1.3701	17 0.6693	17.4 0.6850	38.1 1.5000	13.5 0.5315	4.2 0.1654	5 0.1969	M6 × 0.75 1/4-28UNF	14	7.8	0.25 0.55
NA206 206-17 206-18 206-19 206-20	1 1/16 1 1/8 1 3/16 1 1/4	30	62 2.4409	48.3 1.9016	36.4 1.4331	19 0.7480	18.2 0.7165	44.5 1.7520	15.9 0.6260	4.8 0.1890	6 0.2362	M8 × 1 5/16-24UNF	19.4	11.2	0.41 0.9
NA207 207-20 207-21 207-22 207-23	1 1/4 1 5/16 1 3/8 1 7/16	35	72 2.8346	51.1 2.0118	37.6 1.4803	20 0.7874	18.8 0.7402	55.6 2.1890	17.5 0.6890	5.4 0.2126	6.5 0.2559	M8 × 1 5/16-24UNF	25.6	15.2	0.6 1.32
NA208 208-24 208-25	1 1/2 1 9/16	40	80 3.1496	56.3 2.2165	42.8 1.6850	21 0.8268	21.4 0.8425	60.3 2.3740	18.3 0.7205	5.9 0.2323	6.5 0.2559	M10 × 1.25 3/8-24UNF	32.6	19.8	0.78 1.72
NA209 209-26 209-27 209-28	1 5/8 1 11/16 1 3/4	45	85 3.3465	56.3 2.2165	42.8 1.6850	22 0.8661	21.4 0.8425	63.5 2.5000	18.3 0.7205	6.1 0.2402	6.5 0.2559	M10 × 1.25 3/8-24UNF	32.7	20.4	0.85 1.87
NA210 210-30 210-31 210-32	1 7/8 1 15/16 2	50	90 3.5433	62.7 2.4685	49.2 1.9370	24 0.9449	24.6 0.9685	69.9 2.7520	18.3 0.7205	6.5 0.2559	6.5 0.2559	M10 × 1.25 3/8-24UNF	35	23.1	1.01 2.22



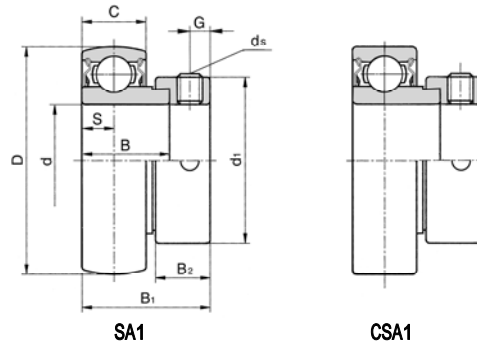
Bearings inserts with eccentric collar



Bearing number	Shaft size		Dimensions (mm)										Basic load ratings (KN)		Mass (kg) (lbs)
	d		Dimensions (inch)										Cr	Cor	
	(in.)	(mm)	D	B1	B	C	S	d1	B2	h	G	ds			
NA211		55	100	71.4	55.4	25	27.7	76.2	20.7	7.1	8	M10 × 1.25	43.3	29.2	1.39
211-32	2														
211-34	2 1/8		3.9370	2.8110	2.1811	0.9843	1.0906	3.0000	0.8150	0.2795	0.3150	3/8-24UNF			3.16
211-35	2 3/16														
NA212		60	110	77.8	61.9	27	30.9	84.2	22.3	7.6	8	M10 × 1.25	47.7	32.9	1.87
212-36	2 1/4														
212-37	2 5/16		4.3307	3.0630	2.4370	1.0630	1.2165	3.3150	0.8780	0.2992	0.3150	3/8-24UNF			4.12
212-38	2 3/8														
212-39	2 7/16														
NA213		65	120	85.7	68.6	28	34.1	86	23.5	8.5	8.5	M10 × 1.25	57.2	40	2.41
213-40	2 1/2		4.7244	3.3740	2.7008	1.1024	1.3425	3.3858	0.9252	0.3346	0.3346	3/8-24UNF			5.31
NA214		70	125	85.7	68.6	30	34.1	90	23.5	8.9	8.5	M10 × 1.25	62.2	44	2.57
214-43	2 11/16														
214-44	2 3/4		4.9213	3.3740	2.7008	1.1811	1.3425	3.5433	0.9252	0.3504	0.3346	3/8-24UNF			5.66
NA215		75	130	92.1	75	32	37.3	102	23.5	9.2	8.5	M10 × 1.25	66.1	49.5	2.84
215-46	2 7/8														
215-47	2 15/16		5.1181	3.6260	2.9528	1.2598	1.4685	4.0157	0.9252	0.3622	0.3346	3/8-24UNF			6.26
215-48	3														



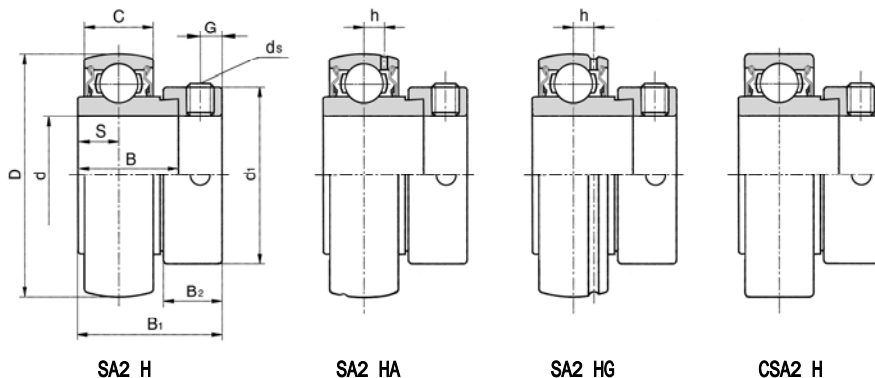
Bearings inserts with eccentric collar



Bearing number	Shaft size	Dimensions (mm)									Basic load ratings (KN)		Mass (kg)
	d												
	(mm)	D	B1	B	C	S	d1	B2	G	ds			
SA103	17	35	20.5	13.5	10	5	25	9.5	3.5	M4×0.7	6	2.8	0.062
SA104	20	42	24.6	16.7	12	6	30	11.1	4.0	M5×0.8	9.4	5	0.104
SA105	25	47	25.4	17.5	12	6	36	12	4.0	M5×0.8	10.1	5.9	0.133
SA106	30	55	26.5	18.5	13	6.5	42.5	12	4.0	M5×0.8	13.2	8.3	0.186



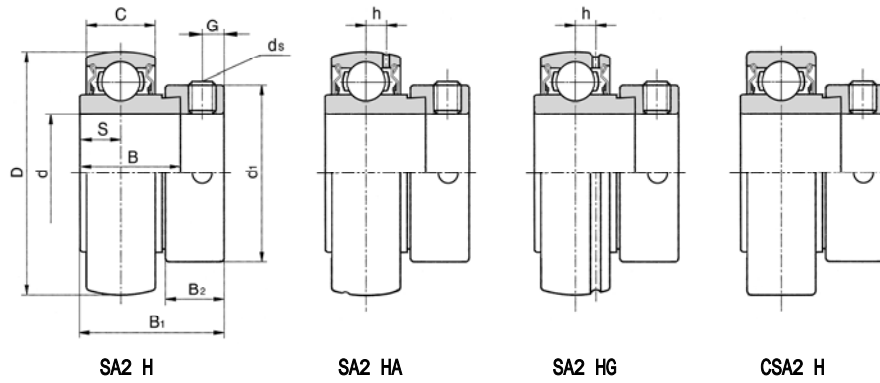
Bearings inserts with eccentric collar



Bearing number	Shaft size		Dimensions (mm)										Basic load ratings (KN)		Mass (kg) (lbs)
	d		(inch)										Cr	Cor	
	(in.)	(mm)	D	B1	B	C	S	d1	B2	h	G	ds			
SA201H 201-8H	1/2	12	40 1.5748	28.6 1.1260	19.1 0.7520	12 0.4724	6.5 0.2559	28.6 1.1260	13.5 0.5315	3.4 0.1339	5 0.1969	M6 × 0.75 1/4-28UNF	9.5	4.7	0.13 0.29
SA202H 202-10H	5/8	15	40 1.5748	28.6 1.1260	19.1 0.7520	12 0.4724	6.5 0.2559	28.6 1.1260	13.5 0.5315	3.4 0.1339	5 0.1969	M6 × 0.75 1/4-28UNF	9.5	4.7	0.12 0.26
SA203H 203-11H	11/16	17	40 1.5748	28.6 1.1260	19.1 0.7520	12 0.4724	6.5 0.2559	28.6 1.1260	13.5 0.5315	3.4 0.1339	5 0.1969	M6 × 0.75 1/4-28UNF	9.5	4.7	0.1 0.22
SA204H 204-12H	3/4	20	47 1.8504	31 1.2205	21.5 0.8465	14 0.5512	7.5 0.2953	33.3 1.3110	13.5 0.5315	4 0.1575	5 0.1969	M6 × 0.75 1/4-28UNF	12.8	6.6	0.15 0.33
SA205 205-14 205-15 205-16	7/8 15/16 1	25	52 2.0472	31 1.2205	21.5 0.8465	15 0.5906	7.5 0.2953	38.1 1.5000	13.5 0.5315	4.2 0.1654	5 0.1969	M6 × 0.75 1/4-28UNF	14	7.8	0.2 0.44
SA206H 206-17H 206-18H 206-19H 206-20H	1 1/16 1 1/8 1 3/16 1 1/4	30	62 2.4409	35.7 1.4055	23.8 0.9370	16 0.6299	9 0.3543	44.5 1.7520	15.9 0.6260	4.8 0.1890	6 0.2362	M8 × 1 5/16-24UNF	19.4	11.2	0.3 0.66
SA207H 207-20H 207-21H 207-22H 207-23H	1 1/4 1 5/16 1 3/8 1 7/16	35	72 2.8346	38.9 1.5315	25.4 1.0000	17 0.6693	9.5 0.3740	55.6 2.1890	17.5 0.6890	5.4 0.2126	6.5 0.2559	M8 × 1 5/16-24UNF	25.6	15.2	0.47 1.04
SA208H 208-24H 208-25H	1 1/2 1 9/16	40	80 3.1496	43.7 1.7205	30.2 1.1890	18 0.7087	11 0.4331	60.3 2.3740	18.3 0.7205	5.9 0.2323	6.5 0.2559	M10 × 1.25 3/8-24UNF	32.6	19.8	0.63 1.39
SA209H 209-26H 209-27H 209-28H	1 5/8 1 11/16 1 3/4	45	85 3.3465	43.7 1.7205	30.2 1.1890	19 0.7480	11 0.4331	63.5 2.5000	18.3 0.7205	6.1 0.2402	6.5 0.2559	M10 × 1.25 3/8-24UNF	32.7	20.4	0.66 1.45
SA210H 210-30H 210-31H 210-32H	1 7/8 1 15/16 2	50	90 3.5433	43.7 1.7205	30.2 1.1890	20 0.7874	11 0.4331	69.9 2.7520	18.3 0.7205	6.5 0.2559	6.5 0.2559	M10 × 1.25 3/8-24UNF	35	23.1	0.76 1.67



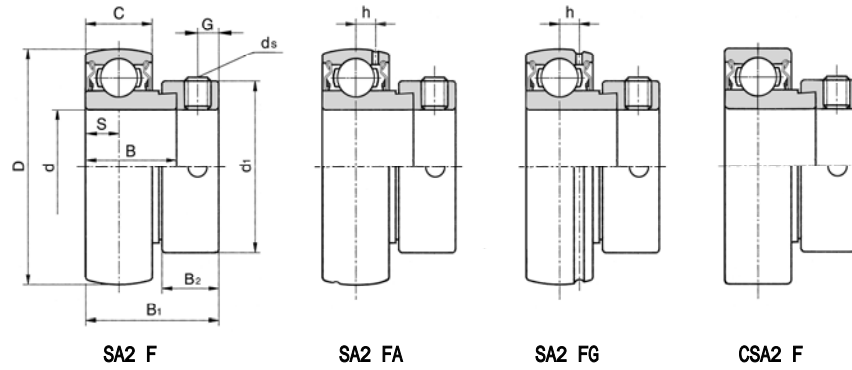
Bearings inserts with eccentric collar



Bearing number	Shaft size		Dimensions (mm)										Basic load ratings (KN)		Mass (kg) (lbs)	
	d		Dimensions (inch)										Cr	Cor		
	(in.)	(mm)	D	B1	B	C	S	d1	B2	h	G	ds				
SA211H	2	55	100	48.4	32.4	21	12	76.2	20.7	7.1	8	M10 × 1.25	43.3	29.2	0.81	
211-32H																
211-34H		2 1/8		3.9370	1.9055	1.2756	0.8268	0.4724	3.0000	0.8150	0.2795	0.3150	3/8-24UNF			1.78
211-35H		2 3/16														
SA212H	2 1/4	60	110	53.1	37.2	22	13.5	84.2	22.3	7.6	8	M10 × 1.25	47.7	32.9	1.43	
212-36H																
212-37H		2 5/16		4.3307	2.0906	1.4646	0.8661	0.5315	3.3150	0.8780	0.2992	0.3150	3/8-24UNF			3.15
212-38H		2 3/8														
212-39H		2 7/16														



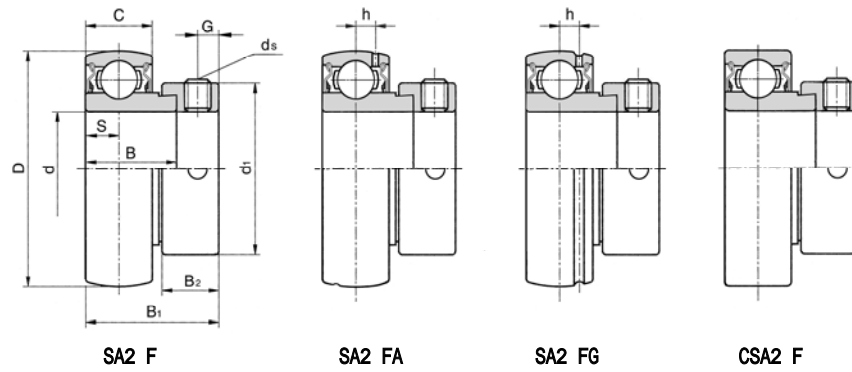
Bearings inserts with eccentric collar



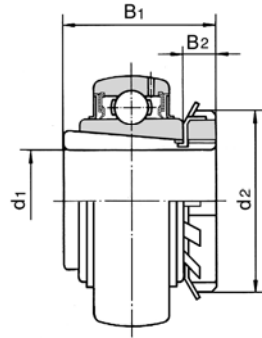
Bearing number	Shaft size		Dimensions (mm)										Basic load ratings (KN)		Mass (kg) (lbs)
	d		Dimensions (inch)										Cr	Cor	
	(in.)	(mm)	D	B1	B	C	S	d1	B2	h	G	ds			
SA201F 201-8	1/2	12	40 1.5748	28.6 1.1260	19.1 0.7520	13 0.5118	6.5 0.2559	28.6 1.1260	13.5 0.5315	3.4 0.1339	5 0.1969	M6 × 0.75 1/4-28UNF	9.5	4.7	0.14 0.31
SA202F 202-10F	5/8	15	40 1.5748	28.6 1.1260	19.1 0.7520	13 0.5118	6.5 0.2559	28.6 1.1260	13.5 0.5315	3.4 0.1339	5 0.1969	M6 × 0.75 1/4-28UNF	9.5	4.7	0.13 0.29
SA203F 203-11F	11/16	17	40 1.5748	28.6 1.1260	19.1 0.7520	13 0.5118	6.5 0.2559	28.6 1.1260	13.5 0.5315	3.4 0.1339	5 0.1969	M6 × 0.75 1/4-28UNF	9.5	4.7	0.12 0.26
SA204F 204-12F	3/4	20	47 1.8504	31 1.2205	21.5 0.8465	15 0.5906	7.5 0.2953	33.3 1.3110	13.5 0.5315	4 0.1575	5 0.1969	M6 × 0.75 1/4-28UNF	12.8	6.6	0.17 0.37
SA205 205-14 205-15 205-16	7/8 15/16 1	25	52 2.0472	31 1.2205	21.5 0.8465	15 0.5906	7.5 0.2953	38.1 1.5000	13.5 0.5315	4.2 0.1654	5 0.1969	M6 × 0.75 1/4-28UNF	14	7.8	0.2 0.44
SA206F 206-17F 206-18F 206-19F 206-20F	1 1/16 1 1/8 1 3/16 1 1/4	30	62 2.4409	35.7 1.4055	23.8 0.9370	18 0.7087	9 0.3543	44.5 1.7520	15.9 0.6260	4.8 0.1890	6 0.2362	M8 × 1 5/16-24UNF	19.4	11.2	0.33 0.73
SA207F 207-20F 207-21F 207-22F 207-23F	1 1/4 1 5/16 1 3/8 1 7/16	35	72 2.8346	38.9 1.5315	25.4 1.0000	19 0.7480	9.5 0.3740	55.6 2.1890	17.5 0.6890	5.4 0.2126	6.5 0.2559	M8 × 1 5/16-24UNF	25.6	15.2	0.5 1.1
SA208F 208-24F 208-25F	1 1/2 1 9/16	40	80 3.1496	43.7 1.7205	30.2 1.1890	22 0.8661	11 0.4331	60.3 2.3740	18.3 0.7205	5.9 0.2323	6.5 0.2559	M10 × 1.25 3/8-24UNF	32.6	19.8	0.66 1.45
SA209F 209-26F 209-27F 209-28F	1 5/8 1 11/16 1 3/4	45	85 3.3465	43.7 1.7205	30.2 1.1890	22 0.8661	11 0.4331	63.5 2.5000	18.3 0.7205	6.1 0.2402	6.5 0.2559	M10 × 1.25 3/8-24UNF	32.7	20.4	0.69 1.52
SA210F 210-30F 210-31F 210-32F	1 7/8 1 15/16 2	50	90 3.5433	43.7 1.7205	30.2 1.1890	22 0.8661	11 0.4331	69.9 2.7520	18.3 0.7205	6.5 0.2559	6.5 0.2559	M10 × 1.25 3/8-24UNF	35	23.1	0.79 1.74



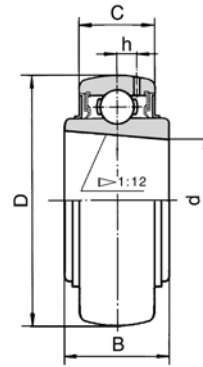
Bearings inserts with eccentric collar



Bearing number	Shaft size		Dimensions (mm)										Basic load ratings (KN)		Mass (kg) (lbs)
	d		Dimensions (inch)										Cr	Cor	
	(in.)	(mm)	D	B1	B	C	S	d1	B2	h	G	ds			
SA211F		55	100	48.4	32.4	24	12	76.2	20.7	7.1	8	M10 × 1.25	43.3	29.2	0.84
211-32F	2														
211-34F	2 1/8		3.9370	1.9055	1.2756	0.9449	0.4724	3.0000	0.8150	0.2795	0.3150	3/8-24UNF			1.85
211-35F	2 3/16														
SA212F		60	110	53.1	37.2	26	13.5	84.2	22.3	7.6	8	M10 × 1.25	47.7	32.9	1.46
212-36F	2 1/4														
212-37F	2 5/16		4.3307	2.0906	1.4646	1.0236	0.5315	3.3150	0.8780	0.2992	0.3150	3/8-24UNF			3.21
212-38F	2 3/8														
212-39F	2 7/16														

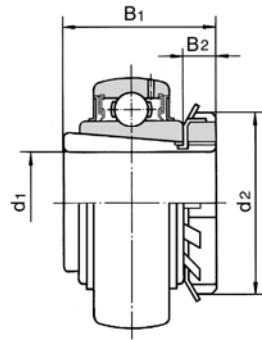


UK2+H23

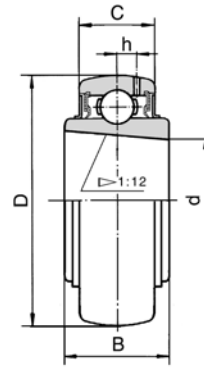


UK2

Bearing number	Shaft size		Dimensions (mm)								Basic load ratings (KN)		Mass (kg) (lbs)
	d		Dimensions (inch)								Cr	Cor	
	(in.)	(mm)	D	B1	d	B	C	h	B2	d2			
UK205+H2305 UK205+HE2305	3/4	20	52 2.0472	35 1.3780	25 0.9843	23 0.9055	17 0.6693	4.2 0.1654	8 0.3150	38 1.4961	14	7.8	0.24 0.53
UK206+H2306 UK206+HA2306 UK206+HE2306	15/16 1	25	62 2.4409	38 1.4961	30 1.1811	26 1.0236	19 0.7480	4.8 0.1890	8 0.3150	45 1.7717	19.4	11.2	0.4 0.88
UK207+H2307 UK207+HS2307 UK207+HA2307	1 1/8 1 3/16	30	72 2.8346	43 1.6929	35 1.3780	27 1.0630	20 0.7874	5.4 0.2126	9 0.3543	52 2.0472	25.6	15.2	0.53 1.17
UK208+H2308 UK208+HE2308 UK208+HS2308	1 1/4 1 3/8	35	80 3.1496	46 1.8110	40 1.5748	29 1.1417	21 0.8268	5.9 0.2323	10 0.3937	58 2.2835	32.6	19.8	0.69 1.52
UK209+H2309 UK209+HE2309	1 1/2	40	85 3.3465	50 1.9685	45 1.7717	30 1.1811	22 0.8661	6.1 0.2402	11 0.4331	65 2.5591	32.7	20.4	0.77 1.7
UK210+H2310 UK210+HA2310 UK210+HE2310	1 11/16 1 3/4	45	90 3.5433	55 2.1654	50 1.9685	31 1.2205	24 0.9449	6.5 0.2559	12 0.4724	70 2.7559	35	23.1	0.93 2.05
UK211+H2311 UK211+HA2311 UK211+HE2311	1 15/16 2	50	100 3.9370	59 2.3228	55 2.1654	33 1.2992	25 0.9843	7.1 0.2795	12 0.4724	75 2.9528	43.3	29.2	1.16 2.75
UK212+H 2312 UK212+HS2312	2 1/8	55	110 4.3307	62 2.4409	60 2.3622	36 1.4173	27 1.0630	7.6 0.2992	13 0.5118	80 3.1496	47.7	32.9	1.47 3.44
UK213+H2313 UK213+HE2313 UK213+HS2313	2 1/4 2 3/8	60	120 4.7244	65 2.5591	65 2.5591	38 1.4961	28 1.1024	8.5 0.3346	14 0.5512	85 3.3465	57.2	40	1.82 4.3
UK215+H 2315 UK215+HE2315	2 1/2	65	130 5.1181	73 2.8740	75 2.9528	41 1.6142	32 1.2598	9 0.3543	15 0.5906	98 3.8583	66.1	49.5	2.59 5.7
UK216+H2316 UK216+HE2316	2 3/4	70	140 5.5118	78 3.0709	80 3.1496	44 1.7323	33 1.2992	9 0.3543	17 0.6693	105 4.1339	72.5	53	3.26 7.18

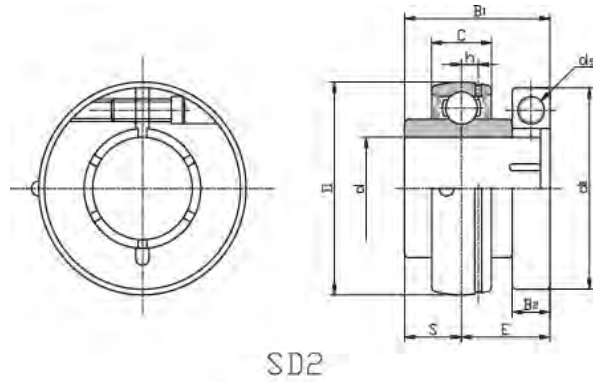


UK2+H23



UK2

Bearing number	Shaft size		Dimensions (mm)								Basic load ratings (KN)		Mass (kg) (lbs)
	d		Dimensions (inch)								Cr	Cor	
	(in.)	(mm)	D	B1	d	B	C	h	B2	d2			
UK217+H2317 UK217+HE2317	3	75	150	82	85	46	35	10	18	110	83.5	64	3.93
5.9055			3.2283	3.3465	1.8110	1.3780	0.3937	0.7087	4.3307	8.66			
UK218+H2318		80	160	86	90	49	37	10.5	18	120	96	71.5	4.68
			6.2992	3.3858	3.5433	1.9291	1.4567	0.4134	0.7087	4.7244			10.31

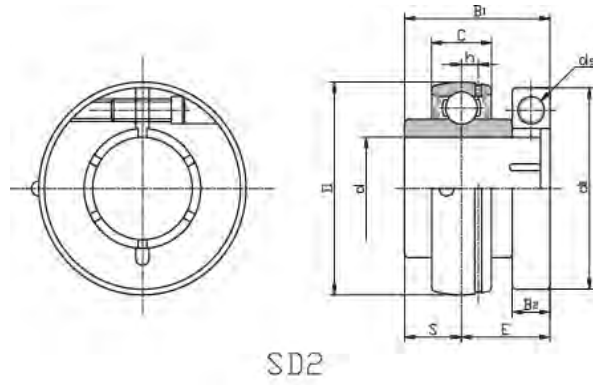


SD2

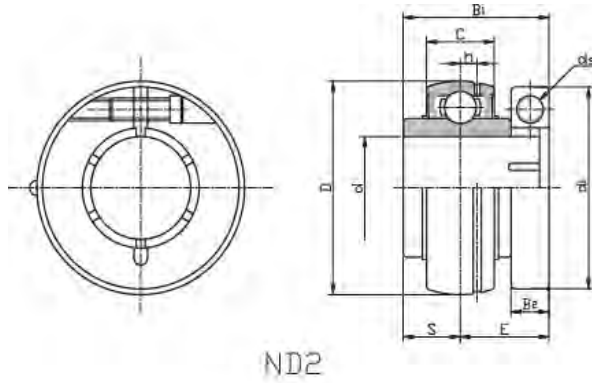
Bearing number	Shaft size		Dimensions (mm)									Basic load ratings (KN)		Mass (kg) (lbs)
	d		Dimensions (inch)									Cr	Cor	
	(in.)	(mm)	D	B1	C	S	E	B2	h	d1	ds			
SD204 204-12	3/4	20	47 1.8504	32.5 1.2795	15 0.5906	12.7 0.5000	19.8 0.7795	9.5 0.3740	4.0 0.1575	44.5 1.7520	8-32X5/8	12.8	6.6	0.22 0.48
SD205 205-14 205-15 205-16	7/8 15/16 1	25	52 2.0472	36.5 1.4370	15 0.5906	14.3 0.5630	22.2 0.8740	9.5 0.3740	4.2 0.1654	49.2 1.9370	8-32X5/8	14.0	7.8	0.35 0.77
SD206 206-17 206-18 206-19 206-20	1 1/16 1 1/8 1 3/16 1 1/4	30	62 2.4409	39.7 1.5630	18 0.7087	15.9 0.6260	23.8 0.9370	9.5 0.3740	4.8 0.1890	55.6 2.1890	8-32X5/8	19.4	11.2	0.50 1.10
SD207 207-20 207-21 207-22 207-23	1 1/4 1 5/16 1 3/8 1 7/16	35	72 2.8346	44.5 1.7520	19 0.7480	17.5 0.6890	27.0 1.0630	11.1 0.4370	5.4 0.2126	68.3 2.6890	10-24X3/4	25.6	15.2	0.66 1.45
SD208 208-24 208-25	1 1/2 1 9/16	40	80 3.1496	50.8 2.0000	22 0.8661	19.0 0.7480	31.8 1.2520	11.1 0.4370	5.9 0.2323	70.6 2.7795	10-24X3/4	32.6	19.8	0.81 1.78
SD209 209-26 209-27 209-28	1 5/8 1 11/16 1 3/4	45	85 3.3464	50.8 2.0000	22 0.8661	19.0 0.7480	31.8 1.2520	11.1 0.4370	6.1 0.2402	77.8 3.0630	10-24X3/4	32.7	20.4	0.83 1.83
SD210 210-30 210-31 210-32	1 7/8 1 15/16 2	50	90 3.5433	53.2 2.0945	22 0.8661	19.0 0.7480	34.1 1.3425	14.3 0.5630	6.5 0.2559	85.7 3.3740	1/4-20X1	35.0	23.1	1.09 2.40
SD211 211-32 211-34 211-35	2 2 1/8 2 3/16	55	100 3.9370	57.2 2.2520	24 0.9449	22.2 0.8740	34.9 1.3740	14.3 0.5630	7.1 0.2795	93.7 3.6890	1/4-20X1	43.3	29.2	1.32 2.91



Bearings inserts with T-locking collar



Bearing number	Shaft size		Dimensions (mm)									Basic load ratings (KN)		Mass (kg) (lbs)
	d		Dimensions (inch)									Cr	Cor	
	(in.)	(mm)	D	B1	C	S	E	B2	h	d1	ds			
SD212		60	110	66.7	26	25.4	41.3	17.5	7.6	105				1.95
212-36	2 1/4													
212-37	2 5/16		4.3307	2.6260	1.0236	1.0000	1.6260	0.6890	0.2992	4.1338	5/16-18X1	47.7	32.9	4.30
212-38	2 3/8													
212-39	2 7/16													

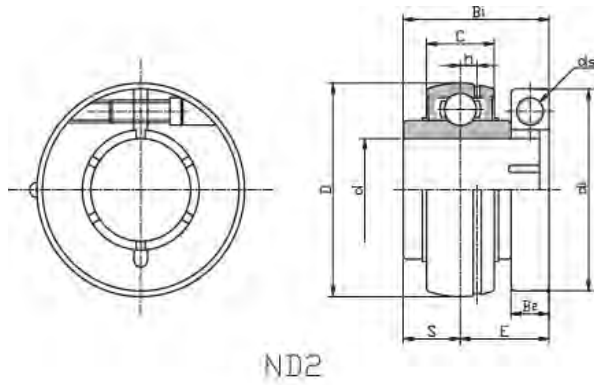


ND2

Bearing number	Shaft size		Dimensions (mm)									Basic load ratings (KN)		Mass (kg) (lbs)
	d		Dimensions (inch)									Cr	Cor	
	(in.)	(mm)	D	B1	C	S	E	B2	h	d1	ds			
ND204 204-12	3/4	20	47 1.8504	32.5 1.2795	16 0.6299	12.7 0.5000	19.8 0.7795	9.5 0.3740	4.0 0.1575	44.5 1.7520	8-32X5/8	12.8	6.6	0.22 0.48
ND205 205-14 205-15 205-16	7/8 15/16 1	25	52 2.0472	36.5 1.4370	17 0.6693	14.3 0.5630	22.2 0.8740	9.5 0.3740	4.2 0.1654	49.2 1.9370	8-32X5/8	14.0	7.8	0.35 0.77
ND206 206-17 206-18 206-19 206-20	1 1/16 1 1/8 1 3/16 1 1/4	30	62 2.4409	39.7 1.5630	19 0.7480	15.9 0.6260	23.8 0.9370	9.5 0.3740	4.8 0.1890	55.6 2.1890	8-32X5/8	19.4	11.2	0.50 1.10
ND207 207-20 207-21 207-22 207-23	1 1/4 1 5/16 1 3/8 1 7/16	35	72 2.8346	44.5 1.7520	20 0.7874	17.5 0.6890	27.0 1.0630	11.1 0.4370	5.4 0.2126	68.3 2.6890	10-24X3/4	25.6	15.2	0.66 1.45
ND208 208-24 208-25	1 1/2 1 9/16	40	80 3.1496	50.8 2.0000	21 0.8268	19.0 0.7480	31.8 1.2520	11.1 0.4370	5.9 0.2323	70.6 2.7795	10-24X3/4	32.6	19.8	0.81 1.78
ND209 209-26 209-27 209-28	1 5/8 1 11/16 1 3/4	45	85 3.3464	50.8 2.0000	22 0.8661	19.0 0.7480	31.8 1.2520	11.1 0.4370	6.1 0.2402	77.8 3.0630	10-24X3/4	32.7	20.4	0.83 1.83
ND210 210-30 210-31 210-32	1 7/8 1 15/16 2	50	90 3.5433	53.2 2.0945	24 0.9449	19.0 0.7480	34.2 1.3464	14.3 0.5630	6.5 0.2559	85.7 3.3740	1/4-20X1	35.0	23.1	1.09 2.40



Bearings inserts with T-locking collar

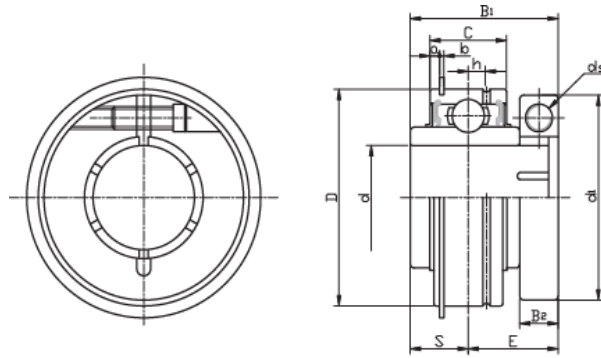


ND2

Bearing number	Shaft size		Dimensions (mm)									Basic load ratings (KN)		Mass (kg) (lbs)
	d		Dimensions (inch)									Cr	Cor	
	(in.)	(mm)	D	B1	C	S	E	B2	h	d1	ds			
ND211		55	100	57.2	25	22.2	34.9	14.3	7.1	93.7				1.32
211-32	2													
211-34	2 1/8		3.9370	2.2520	0.9842	0.8740	1.3740	0.5630	0.2795	3.6890	1/4-20X1	43.3	29.2	2.91
211-35	2 3/16													
ND212		60	110	66.7	27	25.4	41.3	17.5	7.6	105				1.95
212-36	2 1/4													
212-37	2 5/16		4.3307	2.6260	1.0630	1.0000	1.6260	0.6890	0.2992	4.1338	5/16-18X1	47.7	32.9	4.30
212-38	2 3/8													
212-39	2 7/16													

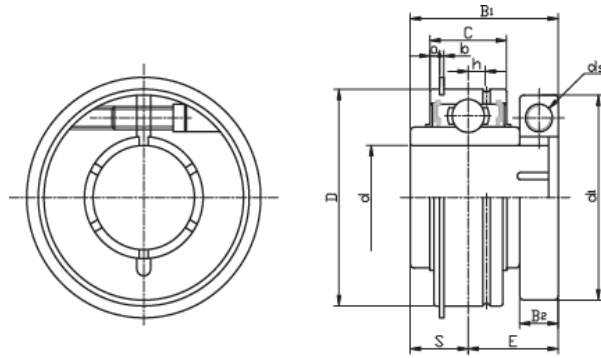


Bearings inserts with T-locking collar



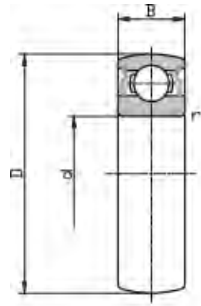
SUR2

Bearing number	Shaft size		Dimensions (mm)											Basic load ratings (KN)		Mass (kg) (lbs)	
	d		Dimensions (inch)											Cr	Cor		
	(in.)	(mm)	D	B1	C	S	a	b	P	E	B2	h	d1				ds
SUR204		20	47	32.5	16	12.7	2.38	1.07	52.5	19.8	9.5	4.0	44.5	8-32X5/8	12.8	6.6	0.27 0.60
204-12	3/4		1.8504	1.2795	0.6299	0.5000	0.0937	0.0421	2.0669	0.7795	0.3740	0.1575	1.7520				
SUR205		25	52	36.5	19	14.3	2.38	1.07	57.7	22.2	9.5	4.5	49.2	8-32X5/8	14.0	7.8	0.42 0.92
205-14	7/8																
205-15	15/16		2.0472	1.4370	0.7480	0.5630	0.0937	0.0421	2.2716	0.8740	0.3740	0.1772	1.9370				
205-16	1																
SUR206		30	62	39.7	22	15.9	3.18	1.65	67.5	23.8	9.5	5.5	55.6	8-32X5/8	19.4	11.2	0.58 1.28
206-17	1 1/16																
206-18	1 1/8		2.4409	1.5630	0.8661	0.6260	0.1252	0.0650	2.6575	0.9370	0.3740	0.2165	2.1890				
206-19	1 3/16																
206-20	1 1/4																
SUR207		35	72	44.5	24	17.5	3.18	1.65	78.4	27.0	11.1	6.5	68.3	10-24X3/4	25.6	15.2	0.83 1.83
207-20	1 1/4																
207-21	1 5/16		2.8346	1.7520	0.9449	0.6890	0.1252	0.0650	3.0866	1.0630	0.4370	0.2559	2.6890				
207-22	1 3/8																
207-23	1 7/16																
SUR208		40	80	50.8	28	19.0	3.18	1.65	86.4	31.8	11.1	8.0	70.6	10-24X3/4	32.6	19.8	0.97 2.14
208-24	1 1/2		3.1496	2.0000	1.1024	0.7480	0.1252	0.0650	3.4016	1.2520	0.4370	0.3150	2.7795				
208-25	1 9/16																
SUR209		45	85	50.8	28	19.0	3.18	1.65	91.4	31.8	11.1	8.0	77.8	10-24X3/4	32.7	20.4	1.05 2.32
209-26	1 5/8																
209-27	1 11/16		3.3464	2.0000	1.1024	0.7480	0.1252	0.0650	3.5984	1.2520	0.4370	0.3150	3.0630				
209-28	1 3/4																
SUR210		50	90	53.2	28	19.0	3.18	2.41	96.3	34.2	14.3	6.5	83.3	1/4-20X1	35.0	23.1	1.28 2.82
210-30	1 7/8																
210-31	1 15/16		3.5433	2.0945	1.1024	0.7480	0.1252	0.0949	3.7913	1.3464	0.5630	0.2559	3.2795				
210-32	2																



SUR2

Bearing number	Shaft size		Dimensions (mm)												Basic load ratings (KN)		Mass (kg) (lbs)	
	d		Dimensions (inch)												Cr	Cor		
	(in.)	(mm)	D	B1	C	S	a	b	P	E	B2	h	d1	ds				
SUR211		55	100	57.2	30	22.2	3.18	2.41	106.3	35.0	14.3	7.5	93.7				1.62	
211-32	2																	
211-34	2 1/8		3.9370	2.2520	1.1811	0.8740	0.1252	0.0949	4.1850	1.3780	0.5630	0.2953	3.6890	1/4-20X1	43.3	29.2	3.57	
211-35	2 3/16																	
SUR212		60	110	66.7	32	25.4	3.18	2.41	116.4	41.3	17.5	8.5	105				2.23	
212-36	2 1/4																	
212-37	2 5/16		4.3307	2.6260	1.2598	1.0000	0.1252	0.0949	4.5827	1.6260	0.6890	0.3346	4.1338	5/16-18X1	47.7	32.9	4.92	
212-38	2 3/8																	
212-39	2 7/16																	

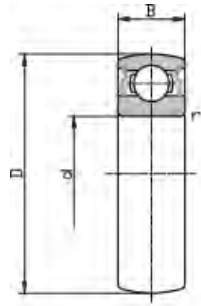


SC2



2RS

Bearing number	Shaft size	Dimensions (mm)			Basic load ratings (KN)		Mass (kg) (lbs)
	d	D	B	r _{最小}	Cr	Cor	
	(mm)						
SC100	10	26	8	0.3	4.75	1.96	0.019
SC200		30	9	0.6	5.4	2.36	0.032
SC300		35	11	0.6	8.52	3.4	0.053
SC101	12	28	8	0.3	5.4	2.36	0.022
SC201		32	10	0.6	7.28	3.1	0.037
SC301		37	12	1	10.1	4.15	0.06
SC102	15	32	9	0.3	5.85	2.85	0.03
SC202		35	11	0.6	8.06	3.75	0.045
SC302		42	13	1	11.9	5.4	0.082
SC103	17	35	10	0.3	6	2.8	0.037
SC203		40	12	0.6	9.5	4.7	0.063
SC303		47	14	1	13.5	6.5	0.111
SC104	20	42	12	0.6	9.4	5	0.065
SC204		47	14	1	12.8	6.6	0.105
SC304		52	15	1.1	15.9	7.8	0.148
SC105	25	47	12	0.6	10.1	5.8	0.077
SC205		52	15	1	14	7.8	0.125
SC305		62	17	1.1	22.4	11.5	0.232
SC106	30	55	13	1	13.2	8.2	0.115
SC206		62	16	1	19.4	11.2	0.192
SC306		72	19	1.1	28.1	15.8	0.348
SC207	35	72	17	1.1	25.6	15.2	0.288
SC307		80	21	1.5	33.4	19.2	0.458
SC208	40	80	18	1.1	32.6	19.8	0.366
SC308		90	23	1.5	40.7	24	0.632



SC2



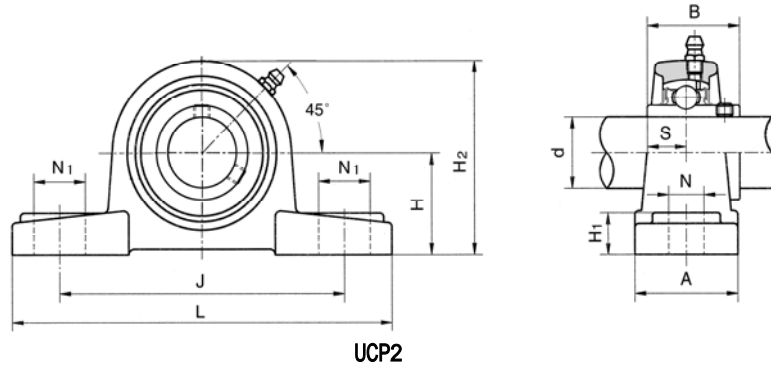
2RS

Bearing number	Shaft size	Dimensions (mm)			Basic load ratings (KN)		Mass (kg) (lbs)
	d	D	B	r最小	Cr	Cor	
	(mm)						
SC209	45	85	19	1.1	32.7	20.4	0.405
SC309		100	25	1.5	52.8	31.8	0.848
SC210	50	90	20	1.1	35	23.1	0.453
SC310		110	27	2	61.8	37.9	1.1
SC211	55	100	21	1.5	43.3	29.2	0.607
SC311		120	29	2	71.6	44.8	1.39



Pillow block units

(setscrew locking)

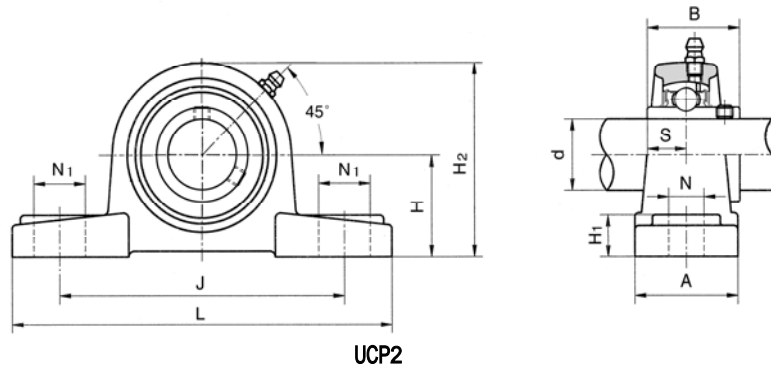


Unit number	Shaft size		Dimensions (mm)										Bolts (mm) (in)	Bearing number	Housing number	Mass (kg) (lbS)
	d		(inch)													
	(in.)	(mm)	H	L	J	A	N	N1	H1	H2	S	B				
UCWP201 201-8	1/2	12	30.2	127	95	36	13	19	13	60	10	26	M10 3/8	UCW201 201-8	P202	0.7
			1.1890	5.0000	3.7402	1.4173	0.5118	0.7480	0.5118	2.3622	0.3937	1.0236				1.5
UCWP202 202-10	5/8	15	30.2	127	95	36	13	19	13	60	10	26	M10 3/8	UCW202 202-10	P202	0.7
			1.1890	5.0000	3.7402	1.4173	0.5118	0.7480	0.5118	2.3622	0.3937	1.0236				1.5
UCWP203 203-11	11/16	17	30.2	127	95	36	13	19	13	60	10	26	M10 3/8	UCW203 203-11	P202	0.69
			1.1890	5.0000	3.7402	1.4173	0.5118	0.7480	0.5118	2.3622	0.3937	1.0236				1.5
UCP201 201-8	1/2	12	30.2	127	95	38	13	19	13	60	10	26	M10 3/8	UC201 201-8	P203	0.8
			1.189	5	3.7402	1.496	0.512	0.748	0.512	2.362	0.394	1.024				1.8
UCP202 202-10	5/8	15	30.2	127	95	38	13	19	13	60	10	26	M10 3/8	UC202 202-10	P203	0.78
			1.1890	5.0000	3.7402	1.4961	0.5118	0.7480	0.5118	2.3622	0.3937	1.0236				1.7
UCP203 203-11	11/16	17	30.2	127	95	38	13	19	13	60	10	26	M10 3/8	UC203 203-11	P203	0.75
			1.189	5	3.7402	1.496	0.512	0.748	0.512	2.362	0.394	1.024				1.7
UCP204 204-12	3/4	20	33.3	127	95	38	13	19	14	65	12.7	31	M10 3/8	UC204 204-12	P204	0.73
			1.3110	5.0000	3.7402	1.4961	0.5118	0.7480	0.5512	2.5591	0.5000	1.2205				1.6
UCP205 205-14 205-15 205-16	7/8	25	36.5	140	105	38	13	19	15	71	14.3	34.1	M10 3/8	UC205 205-14 205-15 205-16	P205	0.91
	15/16		1.4370	5.5118	4.1339	1.4961	0.5118	0.7480	0.5906	2.7953	0.5630	1.3425				2
	1															
UCP206 206-17 206-18 206-19 206-20	1 1/16	30	42.9	165	121	48	17	21	17	83	15.9	38.1	M14 9/16	UC206 206-17 206-18 206-19 206-20	P206	1.32
	1 1/8		1.6890	6.4961	4.7638	1.8898	0.6693	0.8268	0.6693	3.2677	0.6260	1.5000				2.9
	1 3/16															
	1 1/4															
UCP207 207-20 207-21 207-22 207-23	1 1/4	35	47.6	167	127	48	17	21	18	93	17.5	42.9	M14 9/16	UCUC207 207-20 207-21 207-22 207-23	P207	1.72
	1 5/16		1.8740	6.5748	5.0000	1.8898	0.6693	0.8268	0.7087	3.6614	0.6890	1.6890				3.8
	1 3/8															
	1 7/16															



Pillow block units

(setscrew locking)

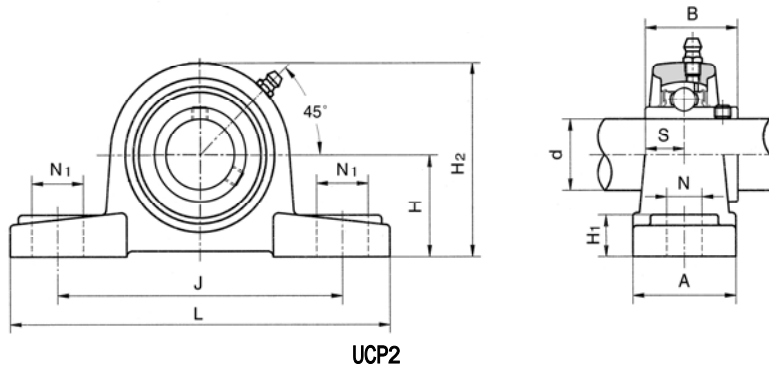


Unit number	Shaft size		Dimensions (mm)										Bolts (mm) (in)	Bearing number	Housing number	Mass (kg) (lbS)
	d		(inch)													
	(in.)	(mm)	H	L	J	A	N	N1	H1	H2	S	B				
UCP208		40	49.2	184	137	54	17	21	18	98	19	49.2	M14	UC208	P208	2.14
208-24	1 1/2		1.9370	7.2441	5.3937	2.1260	0.6693	0.8268	0.7087	3.8583	0.7480	1.9370	9/16	208-24		4.7
208-25	1 9/16													UC208-25		
UCP209		45	54	190	146	54	17	21	20	106	19	49.2	M14	UC209	P209	2.45
209-26	1 5/8		2.1260	7.4803	5.7480	2.1260	0.6693	0.8268	0.7874	4.1732	0.7480	1.9370	9/16	209-26		5.4
209-27	1 11/16													209-27		
209-28	1 3/4													209-28		
UCP210		50	57.2	206	159	60	20	25	21	114	19	51.6	M16	UC210	P210	3.1
210-30	1 7/8		2.2520	8.1102	6.2598	2.3622	0.7874	0.9843	0.8268	4.4882	0.7480	2.0315	5/8	210-30		6.8
210-31	1 15/16													210-31		
210-32	2													210-32		
UCP211		55	63.5	219	171	60	20	25	23	126	22.2	55.6	M16	UC211	P211	3.85
211-32	2		2.5000	8.6220	6.7323	2.3622	0.7874	0.9843	0.9055	4.9606	0.8740	2.1890	5/8	211-32		8.5
211-34	2 1/8													211-34		
211-35	2 3/16													211-35		
UCP212		60	69.8	241	184	70	20	25	25	138	25.4	65.1	M16	UC212	P212	5.1
212-36	2 1/4		2.7480	9.4882	7.2441	2.7559	0.7874	0.9843	0.9843	5.4331	1.0000	2.5630	5/8	212-36		11.2
212-37	2 5/16													212-37		
212-38	2 3/8													212-38		
212-39	2 7/16													212-39		
UCP213		65	76.2	264	203	70	25	30	27	151	25.4	65.1	M20	UC213	P213	6.26
213-40	2 1/2		3.0000	10.3937	7.9921	2.7559	0.9843	1.1811	1.0630	5.9449	1.0000	2.5630	3/4	213-40		13.8
UCP214		70	79.4	266	210	72	25	30	27	157	30.2	74.6	M20	UCUC214	P214	6.9
214-43	2 11/16		3.1260	10.4724	8.2677	2.8346	0.9843	1.1811	1.0630	6.1811	1.1890	2.9370	3/4	214-43		15.2
214-44	2 3/4													214-44		
UCP215		75	82.6	275	217	74	25	30	28	163	33.3	77.8	M20	UC215	P215	7.62
215-46	2 7/8		3.2520	10.8268	8.5433	2.9134	0.9843	1.1811	1.1024	6.4173	1.3110	3.0630	3/4	215-46		16.5
215-47	2 15/16													215-47		
215-48	3													215-48		



Pillow block units

(setscrew locking)

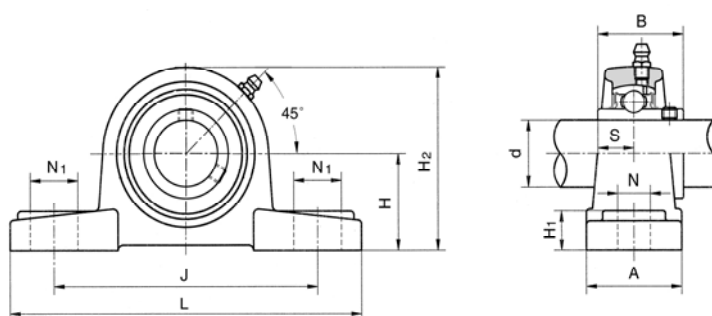


Unit number	Shaft size		Dimensions (mm)										Bolts (mm) (in)	Bearing number	Housing number	Mass (kg) (lbS)
	d		Dimensions (inch)													
	(in.)	(mm)	H	L	J	A	N	N1	H1	H2	S	B				
UCP216		80	88.9 3.5000	292 11.4961	232 9.1339	78 3.0709	25 0.9843	30 1.1811	30 1.1811	175 6.8898	33.3 1.3110	82.6 3.2520	M20 3/4	UC216	P216	9.03 19.9
UCP217 217-52	3 1/4	85	95.2 3.7480	310 12.2047	247 9.7244	83 3.2677	25 0.9843	30 1.1811	32 1.2598	187 7.3622	34.1 1.3425	85.7 3.3740	M20 3/4	UC217 217-52	P217	11.28 24.8
UCP218 218-56	3 1/2	90	101.6 4.0000	327 12.8740	262 10.3150	88 3.4646	27 1.0630	36 1.4173	33 1.2992	200 7.8740	39.7 1.5630	96 3.7795	M22 7/8	UC218 218-56	P218	13.45 29.6
UCP220 220-64	4	100	115 4.5276	380 14.9606	305 12.0079	95 3.7402	30 1.1811	36 1.4173	40 1.5748	225 8.8583	42 1.6535	108 4.2520	M24 15/16	UC220 220-64	P220	16.18 35.6



Pillow block units

(setscrew locking)



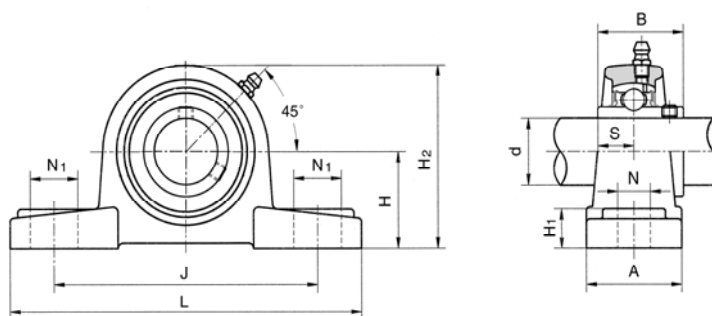
UCPX

Unit number	Shaft size		Dimensions (mm)										Bolts (mm) (in.)	Bearing number	Housing number	Mass (kg) (lbS)
	d		(inch)													
	(in.)	(mm)	H	L	J	A	N	N1	H1	H2	S	B				
UCPX05 X05-16	1	25	44.4	159	119	51	17	25	18	85	15.9	38.1	M14	UCX05 X05-16	PX05	1.59
			1.7480	6.2598	4.6850	2.0079	0.6693	0.9843	0.7087	3.3465	0.6260	1.5000	9/16			3.5
UCPX06 X06-19 X06-20	1 3/16 1 1/4	30	47.6	175	127	57	17	25	20	94	17.5	42.9	M14	UCX06 X06-19 X06-20	PX06	2.09
	1.8740		6.8898	5.0000	2.2441	0.6693	0.9843	0.7874	3.7008	0.6890	1.6890	9/16	4.6			
UCPX07 X07-22 X07-23	1 3/8 1 7/16	35	54	203	144	57	17	30	22	105	19	49.2	M14	UCX07 X07-22 X07-23	PX07	2.72
	2.1260		7.9921	5.6693	2.2441	0.6693	1.1811	0.8661	4.1339	0.7480	1.9370	9/16	6			
UCPX08 X08-24	1 1/2	40	58.7	222	156	67	20	32	26	113	19	49.2	M16	UCX08 X08-24	PX08	3.49
	2.3110		8.7402	6.1417	2.6378	0.7874	1.2598	1.0236	4.4488	0.7480	1.9370	5/8	7.7			
UCPX09 X09-27 X09-28	1 11/16 1 3/4	45	58.7	222	156	67	20	33	26	116	19	51.6	M16	UCX09 X09-27 X09-28	PX09	3.72
	2.3110		8.7402	6.1417	2.6378	0.7874	1.2992	1.0236	4.5669	0.7480	2.0315	5/8	8.2			
UCPX10 X10-31 X10-32	1 15/16 2	50	63.5	241	171	73	20	37	27	126	22.2	55.6	M16	UCX10 X10-31 X10-32	PX10	4.58
	2.5000		9.4882	6.7323	2.8740	0.7874	1.4567	1.0630	4.9606	0.8740	2.1890	5/8	10.1			
UCPX11 X11-35 X11-36	2 3/16 2 1/4	55	69.8	260	184	79	25	37	30	139	25.4	65.1	M20	UCX11 X11-35 X11-36	PX11	6.39
	2.7480		10.2362	7.2441	3.1102	0.9843	1.4567	1.1811	5.4724	1.0000	2.5630	3/4	14.14			
UCPX12 X12-38 X12-39	2 3/8 2 7/16	60	76.2	286	203	83	25	41	32	151	25.4	65.1	M20	UCX12 X12-38 X12-39	PX12	7.71
	3.0000		11.2598	7.9921	3.2677	0.9843	1.6142	1.2598	5.9449	1.0000	2.5630	3/4	17			
UCPX13 X13-40	2 1/2	65	76.2	286	203	83	25	41	32	151	30.2	74.6	M20	UCX13 X13-40	PX13	8.21
	3.0000		11.2598	7.9921	3.2677	0.9843	1.6142	1.2598	5.9449	1.1890	2.9370	3/4	18.1			
UCPX14 X14-44	2 3/4	70	88.9	330	229	89	27	51	35	172	33.3	77.8	M22	UCX14 X14-44	PX14	10.2
	3.5000		12.9921	9.0157	3.5039	1.0630	2.0079	1.3780	6.7717	1.3110	3.0630	7/8	22.5			



Pillow block units

(setscrew locking)

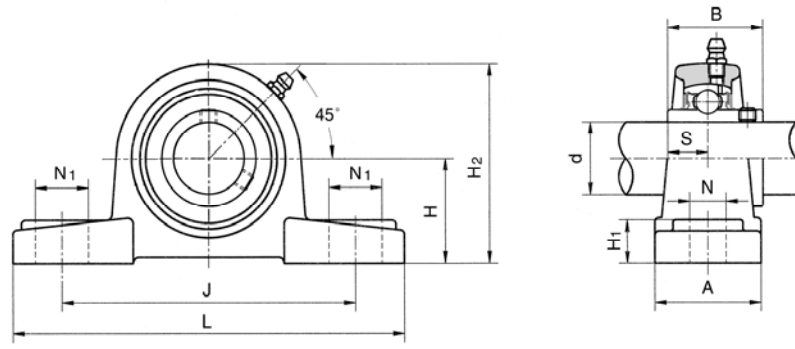


UCPX

Unit number	Shaft size		Dimensions (mm)										Bolts (mm) (in.)	Bearing number	Housing number	Mass (kg) (lbS)
	d		(inch)													
	(in.)	(mm)	H	L	J	A	N	N1	H1	H2	S	B				
UCPX15 X15-48	3	75	88.9	330	232	89	27	51	35	174	33.3	82.6	M22 7/8	UCX15 X15-48	PX15	10.7
			3.5000	12.9921	9.1339	3.5039	1.0630	2.0079	1.3780	6.8504	1.3110	3.2520				23.6
UCPX16		80	101.6	381	283	102	27	59	42	197	34.1	85.7	M22 7/8	UCX16	PX16	15.5
			4.0000	15.0000	11.1417	4.0157	1.0630	2.3228	1.6535	7.7559	1.3425	3.3740				34.1
UCPX17 X17-52	3 1/4	85	101.6	381	283	102	27	59	42	202	39.7	96	M22 7/8	UCX17 X17-52	PX17	16.2
			4.0000	15.0000	11.1417	4.0157	1.0630	2.3228	1.6535	7.9528	1.5630	3.7795				35.7
UCPX18 X18-56	3 1/2	90	101.6	381	283	111	27	60	45	206	42.9	104	M22 7/8	UCX18 X18-56	PX18	19.5
			4.0000	15.0000	11.1417	4.3701	1.0630	2.3622	1.7717	8.1102	1.6890	4.0945				43
UCPX20 X20-64	4	100	127	432	337	121	33	64	52	250	49.2	117.5	M27 1	UCX20 X20-64	PX20	30.3
			5.0000	17.0079	13.2677	4.7638	1.2992	2.5197	2.0472	9.8425	1.9370	4.6260				66.7

Pillow block units

(setscrew locking)

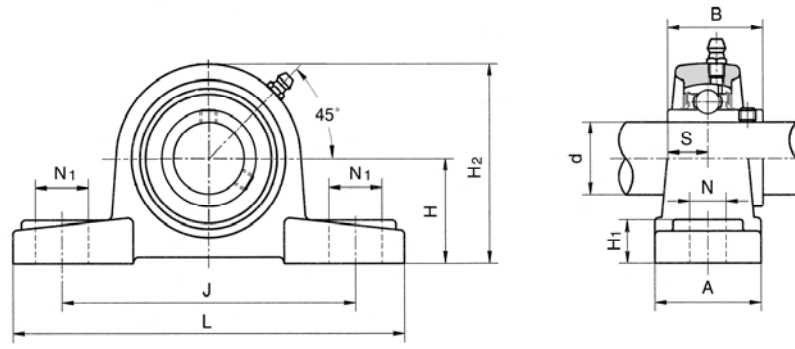


UCP3

Unit number	Shaft size		Dimensions (mm)										Bolts (mm) (in.)	Bearing number	Housing number	Mass (kg) (lbS)
	d		(inch)													
	(in.)	(mm)	H	L	J	A	N	N1	H1	H2	S	B				
UCP305		25	45	175	132	45	17	20	15	85	15	38	M14	UC305	P305	1.52
305-13	13/16													305-13		
305-14	7/8		1.7717	6.8898	5.1969	1.7717	0.6693	0.7874	0.5906	3.3465	0.5906	1.4961	9/16	305-14		3.3
305-15	15/16													305-15		
305-16	1													305-16		
UCP306		30	50	180	140	50	17	20	18	95	17	43	M14	UC306	P306	1.92
306-17	1 1/16													306-17		
306-18	1 1/8		1.9685	7.0866	5.5118	1.9685	0.6693	0.7874	0.7087	3.7402	0.6693	1.6929	9/16	306-18		4.2
306-19	1 3/16													306-19		
306-20	1 1/4													306-20		
UCP307		35	56	210	160	56	17	25	20	106	19	48	M14	UC307	P307	2.66
307-20	1 1/4													307-20		
307-21	1 5/16		2.2047	8.2677	6.2992	2.2047	0.6693	0.9843	0.7874	4.1732	0.7480	1.8898	9/16	307-21		5.8
307-22	1 3/8													307-22		
307-23	1 7/16													307-23		
UCP308		40	60	220	170	60	17	27	22	116	19	52	M14	UC308	P308	3.5
308-24	1 1/2		2.3622	8.6614	6.6929	2.3622	0.6693	1.0630	0.8661	4.5669	0.7480	2.0472	9/16	308-24		7.7
308-25	1 9/16													308-25		
UCP309		45	67	245	190	67	20	30	24	129	22	57	M16	UC309	P309	4.68
309-26	1 5/8													309-26		
309-27	1 11/16		2.6378	9.6457	7.4803	2.6378	0.7874	1.1811	0.9449	5.0787	0.8661	2.2441	5/8	309-27		10.3
309-28	1 3/4													309-28		
UCP310		50	75	275	212	75	20	35	27	143	22	61	M16	UC310	P310	6.44
310-30	1 7/8													310-30		
310-31	1 15/16		2.9528	10.8268	8.3465	2.9528	0.7874	1.3780	1.0630	5.6299	0.8661	2.4016	5/8	310-31		14.2
310-32	2													310-32		
UCP311		55	80	310	236	80	20	38	30	154	25	66	M16	UC311	P311	7.69
311-32	2		3.1496	12.2047	9.2913	3.1496	0.7874	1.4961	1.1811	6.0630	0.9843	2.5984	5/8	311-32		16.9

Pillow block units

(setscrew locking)



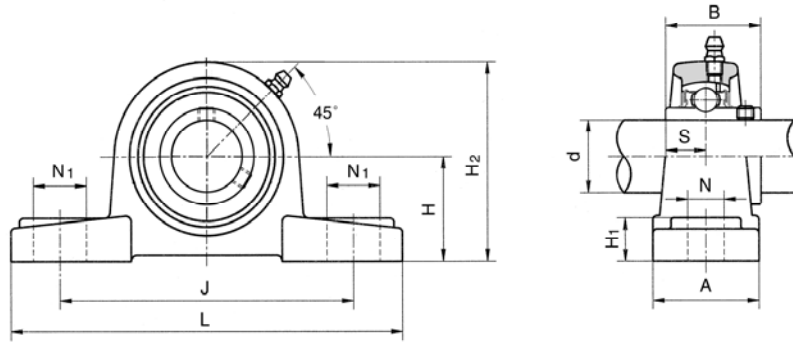
UCP3

Unit number	Shaft size		Dimensions (mm)										Bolts (mm) (in.)	Bearing number	Housing number	Mass (kg) (lbS)	
	d		(inch)														
	(in.)	(mm)	H	L	J	A	N	N ₁	H ₁	H ₂	S	B					
311-33	2 1/16														311-33	P311	
311-34	2 1/8		0.1240	12.2047	9.2913	3.1496	0.7874	1.4961	1.1811	6.0630	0.9843	2.5984	5/8	311-34		16.9	
311-35	2 3/16													311-35			
UCP312		60	85	330	250	85	25	38	32	165	26	71	M20	UC312	P312	9.4	
312-36	2 1/4													312-36			
312-37	2 5/16		3.3465	12.9921	9.8425	3.3465	0.9843	1.4961	1.2598	6.4961	1.0236	2.7953	3/4	312-37		20.7	
312-38	2 3/8													312-38			
312-39	2 7/16													312-39			
UCP313		65	90	340	260	90	25	38	32	176	30	75	M20	UC313	P313	10.7	
313-40	2 1/2		3.5433	13.3858	10.2362	3.5433	0.9843	1.4961	1.2598	6.9291	1.1811	2.9528	3/4	313-40		23.54	
313-41	2 9/16													313-41			
UCP314		70	95	360	280	90	27	40	35	186	33	78	M22	UC314	P314	12.4	
314-42	2 5/8													314-42			
314-43	2 11/16		3.7402	14.1732	11.0236	3.5433	1.0630	1.5748	1.3780	7.3228	1.2992	3.0709	7/8	314-43		27.28	
314-44	2 3/4													314-44			
UCP315		75	100	380	290	100	27	40	35	198	32	82	M22	UC315	P315	14.8	
315-45	2 13/16													315-45			
315-46	2 7/8		3.9370	14.9606	11.4173	3.9370	1.0630	1.5748	1.3780	7.7953	1.2598	3.2283	7/8	315-46		32.56	
315-47	2 15/16													315-47			
315-48	3													315-48			
UCP316		80	106	400	300	110	27	40	35	209	34	86	M22	UC316	P316	18.5	
316-49	3 1/16													316-49			
316-50	3 1/8		4.1732	15.7480	11.8110	4.3307	1.0630	1.5748	1.3780	8.2283	1.3386	3.3858	7/8	316-50		40.7	
316-51	3 3/16													316-51			
UCP317		85	112	420	320	110	33	45	40	220	40	96	M27	UC317	P317	20.3	
317-52	3 1/4													317-52			
317-53	3 5/16		4.4094	16.5354	12.5984	4.3307	1.2992	1.7717	1.5748	8.6614	1.5748	3.7795	1	317-53		44.66	
317-54	3 7/16													317-54			



Pillow block units

(setscrew locking)



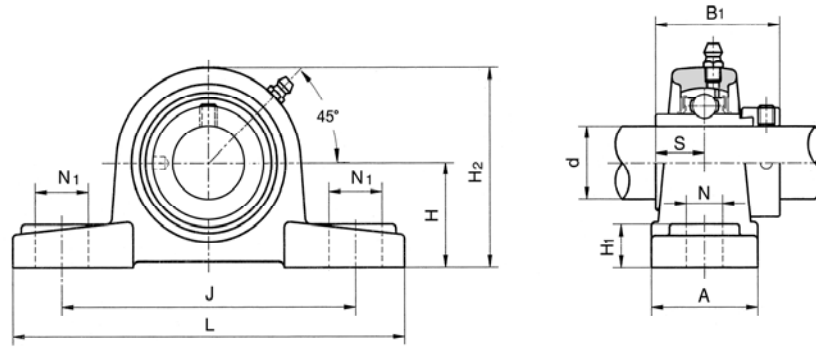
UCP3

Unit number	Shaft size		Dimensions (mm)										Bolts (mm) (in.)	Bearing number	Housing number	Mass (kg) (lbS)
	d		(inch)													
	(in.)	(mm)	H	L	J	A	N	N1	H1	H2	S	B				
UCP318		90	118	430	330	110	33	45	40	234	40	96	M27	UC318	P318	22.8
318-55	3 7/16		4.6457	16.9291	12.9921	4.3307	1.2992	1.7717	1.5748	9.2126	1.5748	3.7795	1	318-55		50.16
318-56	3 1/2													318-56		
UCP319		95	125	470	360	120	36	50	46	248	41	103	M30	UC319	P319	29
319-58	3 5/8		4.9213	18.5039	14.1732	4.7244	1.4173	1.9685	1.8110	9.7638	1.6142	4.0551	1 1/8	319-58		63.8
319-59	3 11/16													319-59		
319-60	3 3/4													319-60		
UCP320		100	140	490	380	120	36	50	46	273	42	108	M30	UC320	P320	35.1
320-61	3 13/16		5.5118	19.2913	14.9606	4.7244	1.4173	1.9685	1.8110	10.7480	1.6535	4.2520	1 1/8	320-61		77.22
320-62	3 7/8													320-62		
320-63	3 15/16													320-63		
320-64	4													320-64		



Pillow block units

(setscrew locking)



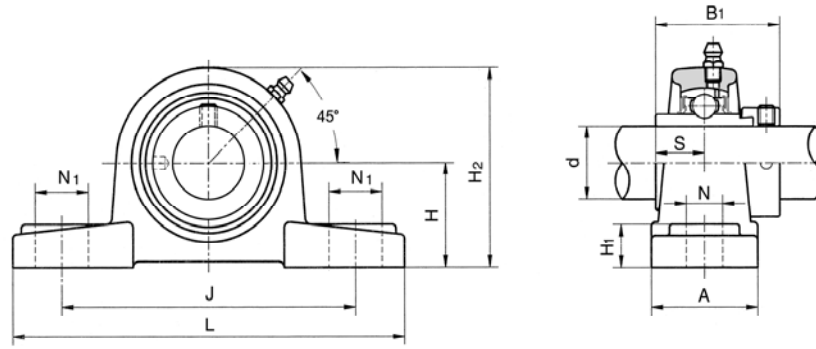
NAP2

Unit number	Shaft size		Dimensions (mm)										Bolts (mm) (in.)	Bearing number	Housing number	Mass (kg) (lbS)
	d		(inch)													
	(in.)	(mm)	H	L	J	A	N	N1	H1	H2	S	B1				
NAP201 201-8	1/2	12	30.2	127	95	38	13	19	14	65	17	43.5	M10	NA201 201-8	P203	0.86
			1.1890	5.0000	3.7402	1.4961	0.5118	0.7480	0.5512	2.5591	0.6693	1.7126	3/8			1.9
NAP202 202-10	5/8	15	30.2	127	95	38	13	19	14	65	17	43.5	M10	NA202 202-10	P203	0.84
			1.1890	5.0000	3.7402	1.4961	0.5118	0.7480	0.5512	2.5591	0.6693	1.7126	3/8			1.8
NAP203 203-11	11/16	17	30.2	127	95	38	13	19	14	65	17	43.5	M10	NA203 203-11	P203	0.81
			1.1890	5.0000	3.7402	1.4961	0.5118	0.7480	0.5512	2.5591	0.6693	1.7126	3/8			1.8
NAP204 204-12	3/4	20	33.3	127	95	38	13	19	14	65	17	43.5	M10	NA204 204-12	P204	0.79
			1.3110	5.0000	3.7402	1.4961	0.5118	0.7480	0.5512	2.5591	0.6693	1.7126	3/8			1.7
NAP205 205-14 205-15 205-16	7/8 15/16 1	25	36.5	140	105	38	13	19	15	71	17.4	44.3	M10	NA205 205-14 205-15 205-16	P205	0.95
	1.4370		5.5118	4.1339	1.4961	0.5118	0.7480	0.5906	2.7953	0.6850	1.7441	3/8	2.1			
NAP206 206-17 206-18 206-19 206-20 207-21 207-22 207-23	1 1/16 1 1/8 1 3/16 1 1/4 1 5/16 1 3/8 1 7/16	30	42.9	165	121	48	17	21	17	83	18.2	48.3	M14	NA206 206-17 206-18 206-19 206-20 207-21 207-22 207-23	P206	1.41
	1.6890		6.4961	4.7638	1.8898	0.6693	0.8268	0.6693	3.2677	0.7165	1.9016	9/16	3.1			
NAP208 208-24 208-25	1 1/2 1 9/16	40	49.2	184	137	54	17	21	18	98	21.4	56.3	M14	NA208 208-24 208-25	P208	2.28
	1.9370		7.2441	5.3937	2.1260	0.6693	0.8268	0.7087	3.8583	0.8425	2.2165	9/16	5			
NAP209 209-26 209-27 209-28	1 5/8 1 11/16 1 3/4	45	54	190	146	54	17	21	20	106	21.4	56.3	M14	NA209 209-26 209-27 209-28	P209	2.62
	2.1260		7.4803	5.7480	2.1260	0.6693	0.8268	0.7874	4.1732	0.8425	2.2165	9/16	5.8			
NAP210 210-30 210-31 210-32	1 7/8 1 15/16 2	50	57.2	206	159	60	20	25	21	114	24.6	62.7	M16	NA210 210-30 210-31 210-32	P210	3.3
	2.2520		8.1102	6.2598	2.3622	0.7874	0.9843	0.8268	4.4882	0.9685	2.4685	5/8	7.3			



Pillow block units

(setscrew locking)

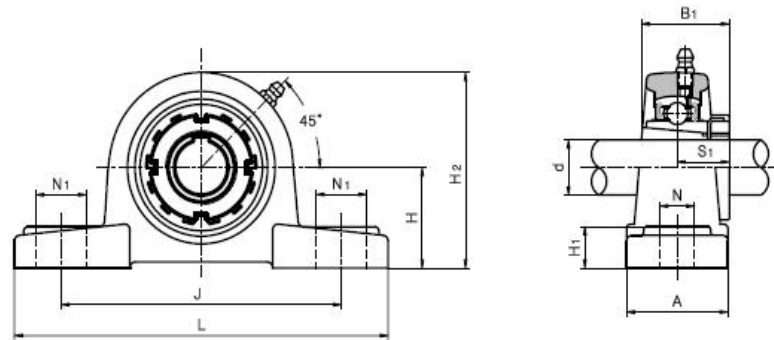


NAP2

Unit number	Shaft size		Dimensions (mm)										Bolts (mm) (in.)	Bearing number	Housing number	Mass (kg) (lbS)	
	d		(inch)														
	(in.)	(mm)	H	L	J	A	N	N1	H1	H2	S	B1					
NAP211	2	55	63.5	219	171	60	20	25	23	126	27.7	71.4	M16	NA211 211-32 211-33 211-34	P211	4.12	
211-32		2.5000	8.6220	6.7323	2.3622	0.7874	0.9843	0.9055	4.9606	1.0906	2.8110	5/8	9.1				
211-33		2 1/8															
211-34		2 3/16															
NAP212	2 1/4	60	69.8	241	184	70	20	25	25	138	30.9	77.8	M16	NA212 212-36 212-37 212-38 212-39	P212	5.43	
212-36		2.7480	9.4882	7.2441	2.7559	0.7874	0.9843	0.9843	5.4331	1.2165	3.0630	5/8	12				
212-37		2 5/16															
212-38		2 3/8															
NAP213	2 1/2	65	76.2	264	203	70	25	30	27	151	34.1	85.7	M20	NA213 213-40	P213	6.81	
213-40			3.0000	10.3937	7.9921	2.7559	0.9843	1.1811	1.0630	5.9449	1.3425	3.3740	3/4			15	
NAP214	2 11/16	70	79.4	266	210	72	25	30	27	157	34.1	85.7	M20	NA214 214-43 214-44	P214	7.42	
214-43			3.1260	10.4724	8.2677	2.8346	0.9843	1.1811	1.0630	6.1811	1.3425	3.3740	3/4			16.3	
214-44			2 3/4														
NAP215	2 7/8	75	82.6	275	217	74	25	30	28	163	37.3	92.1	M20	NA215 215-46 215-47 215-48	P215	8.25	
215-46			3.2520	10.8268	8.5433	2.9134	0.9843	1.1811	1.1024	6.4173	1.4685	3.6260	3/4			18.2	
215-47			2 15/16														
215-48			3														

Pillow block units

(adapter sleeves locking)



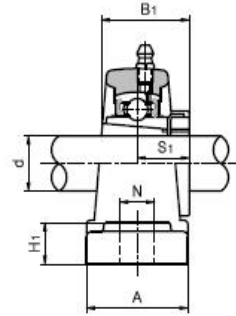
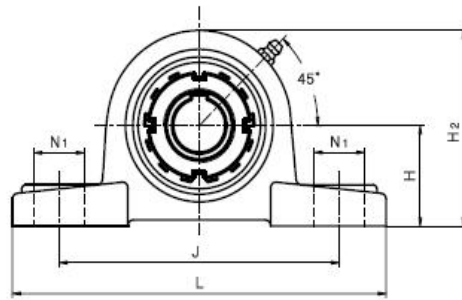
UKP2+H23

Unit number	Shaft size		Dimensions (mm)										Bolts (mm) (in.)	Bearing number	Housing number	Adapter number	Mass (kg) (lbs)
	d		(inch)														
	(in.)	(mm)	H	L	J	A	N	N1	H1	H2	S	B1					
UKP205+H 2305		20	36.5	140	105	38	13	19	15	71	19.5	35	M10	UK205	P205	H 2305	0.94
UKP205+HE2305	3/4		1.4370	5.5118	4.1339	1.4961	0.5118	0.7480	0.5906	2.7953	0.7677	1.3780	3/8			HE2305	2.1
UKP206+H 2306		25	42.9	165	121	48	17	21	17	83	21	38	M14	UK206	P206	H 2306	1.4
UKP206+HA2306	15/16		1.6890	6.4961	4.7638	1.8898	0.6693	0.8268	0.6693	3.2677	0.8268	1.4961	9/16			HA2306	3.1
UKP206+HE2306	1															HE2306	
UKP207+H 2307		30	47.6	167	127	48	17	21	18	93	22.5	43	M14	UK207	P207	H 2307	1.78
UKP207+HS2307	1 1/8		1.8740	6.5748	5.0000	1.8898	0.6693	0.8268	0.7087	3.6614	0.8858	1.6929	9/16			HS2307	3.9
UKP207+HA2307	1 3/16															HA2307	
UKP208+H 2308		35	49.2	184	137	54	17	21	18	98	24.5	46	M14	UK208	P208	H 2308	2.09
UKP208+HE2308	1 1/4		1.9370	7.2441	5.3937	2.1260	0.6693	0.8268	0.7087	3.8583	0.9646	1.8110	9/16			HE2308	4.6
UKP208+HS2308	1 3/8															HS2308	
UKP209+H 2309		40	54	190	146	54	17	21	20	106	26	50	M14	UK209	P209	H 2309	2.54
UKP209+HE2309	1 1/2		2.1260	7.4803	5.7480	2.1260	0.6693	0.8268	0.7874	4.1732	1.0236	1.9685	9/16			HE2309	5.6
UKP210+H 2310		45	57.2	206	159	60	20	25	21	114	27.5	55	M16	UK210	P210	H 2310	3.22
UKP210+HA2310	1 11/16		2.2520	8.1102	6.2598	2.3622	0.7874	0.9843	0.8268	4.4882	1.0827	2.1654	5/8			HA2310	7.1
UKP210+HE2310	1 3/4															HE2310	
UKP211+H 2311		50	63.5	219	171	60	20	25	23	126	28.5	59	M16	UK211	P211	H 2311	3.98
UKP211+HA2311	1 15/16		2.5000	8.6220	6.7323	2.3622	0.7874	0.9843	0.9055	4.9606	1.1220	2.3228	5/8			HA2311	8.8
UKP211+HE2311	2															HE2311	
UKP212+H 2312		55	69.8	241	184	70	20	25	25	138	31	62	M16	UK212	P212	H 2312	51.3
UKP212+HS2312	2 1/8		2.7480	9.4882	7.2441	2.7559	0.7874	0.9843	0.9843	5.4331	1.2205	2.4409	5/8			HS2312	11.3
UKP213+H 2313		60	76.2	264	203	70	25	30	27	151	33	65	M20	UK213	P213	H 2313	6.35
UKP213+HE2313	2 1/4		3.0000	10.3937	7.9921	2.7559	0.9843	1.1811	1.0630	5.9449	1.2992	2.5591	3/4			HE2313	14
UKP213+HS2313	2 3/8															HS2313	
UKP215+H 2315		65	82.6	275	217	74	25	30	28	163	35.5	73	M20	UK215	P215	H 2315	8
UKP215+HE2315	2 1/2		3.2520	10.8268	8.5433	2.9134	0.9843	1.1811	1.1024	6.4173	1.3976	2.8740	3/4			HE2315	17.6
UKP216+H 2316		70	88.9	292	232	78	25	30	30	175	39	78	M20	UK216	P216	H 2316	9.5
UKP216+HE2316	2 3/4		3.5000	11.4961	9.1339	3.0709	0.9843	1.1811	1.1811	6.8898	1.5354	3.0709	3/4			HE2316	20.9



Pillow block units

(adapter sleeves locking)

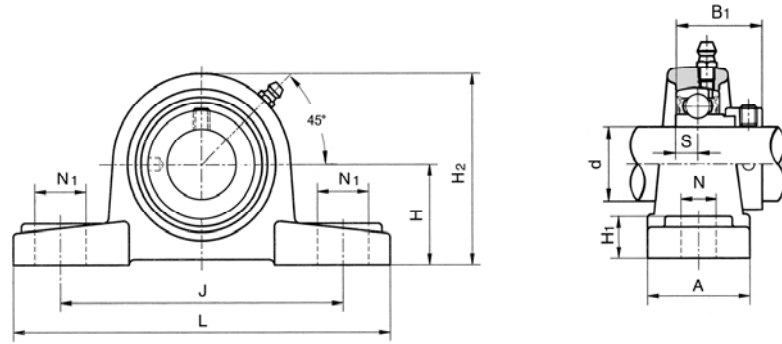


UKP2+H23

Unit number	Shaft size		Dimensions (mm)										Bolts (mm) (in.)	Bearing number	Housing number	Adapter number	Mass (kg) (lbS)
	d		Dimensions (inch)														
	(in.)	(mm)	H	L	J	A	N	N1	H1	H2	S	B1					
UKP217+H 2317 UKP217+HE2317	3	75	95.2	310	247	83	25	30	32	187	41	82	M20	UK217	P217	H 2317 HE2317	11.8 26
			3.7480	12.2047	9.7244	3.2677	0.9843	1.1811	1.2598	7.3622	1.6142	3.2283	3/4				
UKP218+H2318		80	101.6	327	262	88	27	36	33	200	42.5	86	M22	UK218	P218	H2318	13.7 30.1
			4.0000	12.8740	10.3150	3.4646	1.0630	1.4173	1.2992	7.8740	1.6732	3.3858	7/8				

Pillow block units

(eccentric collar locking)

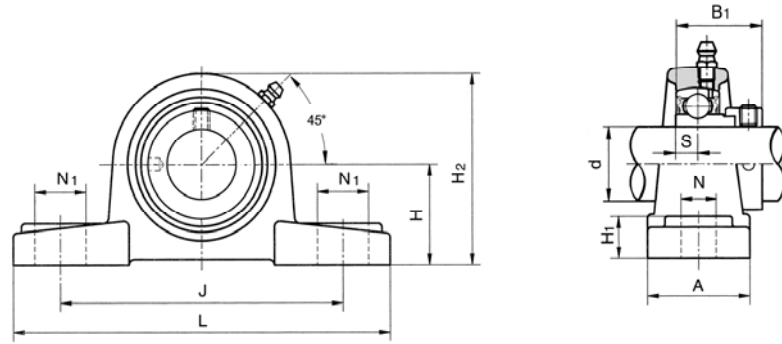


SAP2

Unit number	Shaft size		Dimensions (mm)										Bolts (mm) (in.)	Bearing number	Housing number	Mass (kg) (lbS)			
	d		(inch)																
	(in.)	(mm)	H	L	J	A	N	N1	H1	H2	S	B1							
SAP204	204-12	3/4	20	33.3	127	95	38	13	19	14	65	7.5	31	M10	SA204FA	P204	0.74		
					1.3110	5.0000	3.7402	1.4961	0.5118	0.7480	0.5512	2.5591	0.2953	1.2205	3/8		204-12FA	1.6	
SAP205	205-14 205-15 205-16	7/8 15/16 1	25	36.5	140	105	38	13	19	15	71	7.5	31	M10	SA205A	P205	0.9		
						1.4370	5.5118	4.1339	1.4961	0.5118	0.7480	0.5906	2.7953	0.2953	1.2205		3/8	205-14A	2
																		205-15A	
																		205-16A	
SAP206	206-17 206-18 206-19 206-20	1 1 1/8 1 3/16 1 1/4	30	42.9	165	121	48	17	21	17	83	9	35.7	M14	SA206FA	P206	1.33		
						1.6890	6.4961	4.7638	1.8898	0.6693	0.8268	0.6693	3.2677	0.3543	1.4055		9/16	206-17FA	2.9
																		206-18FA	
																		206-19FA	
																		206-20FA	
SAP207	207-20 207-21 207-22 207-23	1.25 1 5/16 1 3/8 1 7/16	35	47.6	167	127	48	17	21	18	93	9.5	38.9	M14	SA207FA	P207	1.75		
						1.8740	6.5748	5.0000	1.8898	0.6693	0.8268	0.7087	3.6614	0.3740	1.5315		9/16	207-20FA	3.8
																		207-21FA	
																		207-22FA	
															207-23FA				
SAP208	208-24 208-25	1 1/2 1 9/16	40	49.2	184	137	54	17	21	18	98	11	43.7	M14	SA208FA	P208	2.16		
						1.9370	7.2441	5.3937	2.1260	0.6693	0.8268	0.7087	3.8583	0.4331	1.7205		9/16	208-24FA	4.8
															208-25FA				
SAP209	209-26 209-27 209-28	1 5/8 1 11/16 1 3/4	45	54	190	146	54	17	21	20	106	11	43.7	M14	208-26FA	P209	2.47		
						2.1260	7.4803	5.7480	2.1260	0.6693	0.8268	0.7874	4.1732	0.4331	1.7205		9/16	209-26FA	5.4
																		209-27FA	
															209-28FA				
SAP210	210-30 210-31 210-32	1 7/8 1 15/16 2	50	57.2	206	159	60	20	25	21	114	11	43.7	M16	SA210FA	P210	3.08		
						2.2520	8.1102	6.2598	2.3622	0.7874	0.9843	0.8268	4.4882	0.4331	1.7205		5/8	210-30FA	6.8
																		210-31FA	
															210-32FA				

Pillow block units

(eccentric collar locking)

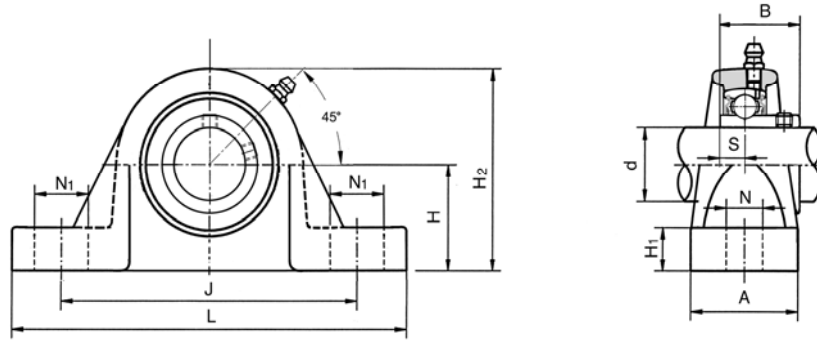


SAP2

Unit number	Shaft size		Dimensions (mm)										Bolts (mm) (in.)	Bearing number	Housing number	Mass (kg) (lbS)
	d		(inch)													
	(in.)	(mm)	H	L	J	A	N	N1	H1	H2	S	B1				
SAP211		55	63.5	219	171	60	20	25	23	126	12	48.4	M16	SA211FA	P211	3.57
211-32	2													211-32FA		
211-33	2 1/8	2.5000	8.6220	6.7323	2.3622	0.7874	0.9843	0.9055	4.9606	0.4724	1.9055	5/8	211-33FA		7.9	
211-34	2 3/16													211-34FA		
SAP212		60	69.8	241	184	70	20	25	25	138	13.5	53.1	M16	SA212FA	P212	5.01
212-36	2 1/4													212-36FA		
212-37	2 5/16	2.7480	9.4882	7.2441	2.7559	0.7874	0.9843	0.9843	5.4331	0.5315	2.0906	5/8	212-37FA		11.02	
212-38	2 3/8													212-38FA		
212-39	2 7/16													212-39FA		

Pillow block units

(setscrew locking)



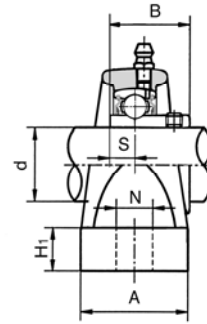
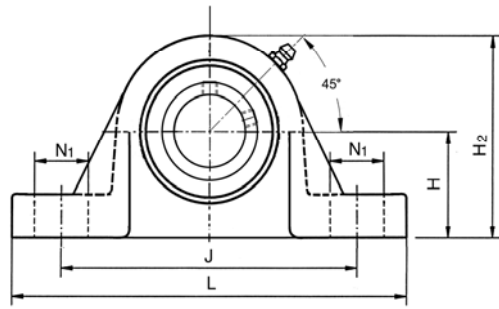
SBP2H

Unit number	Shaft size		Dimensions (mm)										Bolts (mm) (in.)	Bearing number	Housing number	Mass (kg) (lbS)
	d		(inch)													
	(in.)	(mm)	H	L	J	A	N	N1	H1	H2	S	B				
SBP201H 201-8H	1/2	12	27 1.0630	127 5.0000	93 3.6614	31 1.2205	11.5 0.4528	21 0.8268	11.9 0.4685	54.8 2.1575	9 0.3543	25.4 1.0000	M10 3/8	SB201H 201-8H	P203H	0.5 1.11
SBP202H 202-10H	5/8	15	27 1.0630	127 5.0000	93 3.6614	31 1.2205	11.5 0.4528	21 0.8268	11.9 0.4685	54.8 2.1575	9 0.3543	25.4 1.0000	M10 3/8	SB202H 202-10H	P203H	0.49 1.11
SBP203H 203-11H	11/16	17	27 1.0630	127 5.0000	93 3.6614	31 1.2205	11.5 0.4528	21 0.8268	11.9 0.4685	54.8 2.1575	9 0.3543	25.4 1.0000	M10 3/8	SB203H 203-11H	P203H	0.48 1.1
SBP204H 204-12H	3/4	20	33.3 1.3110	133 5.2362	96 3.7795	34.1 1.3425	11.5 0.4528	21 0.8268	13.5 0.5315	65.1 2.5630	10.8 0.4252	29.2 1.1496	M10 3/8	SB204H 204-12H	P204H	0.63 1.4
SBP205H 205-14H 205-15H 205-16H	7/8 15/16 1	25	36.5 1.4370	140 5.5118	104 4.0945	35.7 1.4055	11.5 0.4528	21 0.8268	15.1 0.5945	70.6 2.7795	10.8 0.4252	30.1 1.1850	M10 3/8	SB205H 205-14H 205-15H 205-16H	P205H	0.73 1.6
SBP206H 206-17H 206-18H 206-19H 206-20H	1 1/16 1 1/8 1 3/16 1 1/4	30	41.3 1.6260	159 6.2598	117 4.6063	44.5 1.7520	14 0.5512	24 0.9449	17.5 0.6890	82.6 3.2520	12.3 0.4843	35.3 1.3898	M12 1/2	SB206H 206-17H 206-18H 206-19H 206-20H	P206H	1.18 2.6
SBP207H 207-20H 207-21H 207-22H 207-23H	1 1/4 1 5/16 1 3/8 1 7/16	35	47.6 1.8740	165 6.4961	129 5.0787	44.5 1.7520	14 0.5512	24 0.9449	18.3 0.7205	95.2 3.7480	12.8 0.5039	39 1.5354	M12 1/2	SB207H 207-20H 207-21H 207-22H 207-23H	P207H	1.95 4.3
SBP208H 208-24H 208-25H	1 1/2 1 9/16	40	54 2.1260	184 7.2441	140 5.5118	49.2 1.9370	14 0.5512	24 0.9449	19.1 0.7520	106.4 4.1890	15 0.5906	42.7 1.6811	M12 1/2	SB208H 208-24H 208-25H	P208H	2.43 5.4
SBP209H 209-26H 209-27H 209-28H	1 5/8 1 11/16 1 3/4	45	54 2.1260	189 7.4409	148 5.8268	50.8 2.0000	14 0.5512	24 0.9449	19.1 0.7520	108.7 4.2795	15 0.5906	43.5 1.7126	M12 1/2	SB209H 209-26H 209-27H 209-28H	P209H	2.8 6.2
SBP210H 210-30H 210-31H 210-32H	1 7/8 1 15/16 2	50	57.2 2.2520	206 8.1102	161 6.3386	57.2 2.2520	18 0.7087	26 1.0236	19.1 0.7520	115.1 4.5315	15 0.5906	44.3 1.7441	M16 5/8	SB210H 210-30H 210-31H 210-32H	P210H	3.17 7



Pillow block units

(setscrew locking)

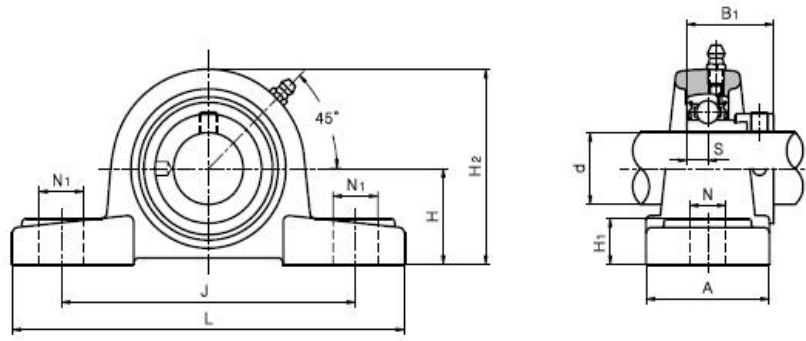


SBP2H

Unit number	Shaft size		Dimensions (mm)										Bolts (mm) (in.)	Bearing number	Housing number	Mass (kg) (lbS)
	d		(inch)													
	(in.)	(mm)	H	L	J	A	N	N1	H1	H2	S	B				
SBP211H		55	63.5	225	175	58.7	18	31	22.2	126.2	16	46.9	M16	SB211H	P211H	4.04
211-32H	2															
211-34H	2 1/8		2.5000	8.8583	6.8898	2.3110	0.7087	1.2205	0.8740	4.9685	0.6299	1.8465	5/8			8.9
211-35H	2 3/16															
SBP212H		60	69.9	241	188	60.3	18	31	22.2	137.3	17	50.3	M16	SB212H	P212H	4.9
212-36H	2 1/4															
212-37H	2 5/16		2.7520	9.4882	7.4016	2.3740	0.7087	1.2205	0.8740	5.4055	0.6693	1.9803	5/8			10.8
212-38H	2 3/8															
212-39H	2 7/16															
SBP214H		70	76.2	273	203	68.3	21	33	23.8	154.8	20.3	56.8	M18	SB214H	P214H	6.82
214-43H	2 11/16															
214-44H	2 3/4		3.0000	10.7480	7.9921	2.6890	0.8268	1.2992	0.9370	6.0945	0.7992	2.2362	3/4			15
SBP215H		75	88.9	298	229	73	24	37	25.4	171.5	20.9	58.1	M22	SB215H	P215H	9.31
215-46H	2 7/8															
215-47H	2 15/16		3.5000	11.7323	9.0157	2.8740	0.9449	1.4567	1.0000	6.7520	0.8228	2.2874	7/8			20.5
215-48H	3															

Pillow block units (low center height)

(eccentric collar locking)



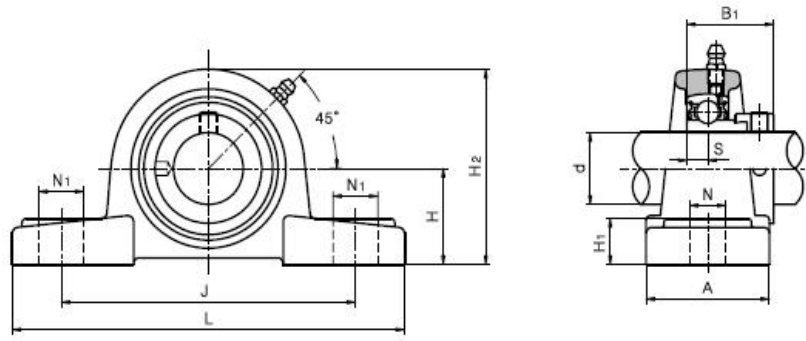
SAPL2

Unit number	Shaft size		Dimensions (mm)										Bolts (mm) (in.)	Bearing number	Housing number	Mass (kg) (lbS)
	d		(inch)													
	(in.)	(mm)	H	L	J	A	N	N1	H1	H2	S	B1				
SAPL201 201-8	1/2	12	27 1.0630	120 4.7244	89 3.5039	35 1.3780	13 0.5118	16 0.6299	12.7 0.5000	54 2.1260	6.5 0.2559	28.6 1.1260	M10 3/8	SA201FA 201-8A	PL203	0.64 1.4
SAPL202 202-10	5/8	15	27 1.0630	120 4.7244	89 3.5039	35 1.3780	13 0.5118	16 0.6299	12.7 0.5000	54 2.1260	6.5 0.2559	28.6 1.1260	M10 3/8	SA202FA 202-10FA	PL203	0.63 1.4
SAPL203 203-11	11/16	17	27 1.0630	120 4.7244	89 3.5039	35 1.3780	13 0.5118	16 0.6299	12.7 0.5000	54 2.1260	6.5 0.2559	28.6 1.1260	M10 3/8	SA203FA 203-11FA	PL203	0.62 1.4
SAPL204 204-12	3/4	20	31.8 1.2520	133 5.2362	98 3.8583	41 1.6142	13 0.5118	16 0.6299	14.3 0.5630	63 2.4803	7.5 0.2953	31 1.2205	M10 3/8	SA204FA 204-12FA	PL204	0.77 1.7
SAPL205 205-14 205-15 205-16	7/8 15/16 1	25	33.3 1.3110	140 5.5118	105 4.1339	44 1.7323	13 0.5118	16 0.6299	16 0.6299	68 2.6772	7.5 0.2953	31 1.2205	M10 3/8	SA205A 205-14A 205-15A 205-16A	PL205	1.03 2.3
SAPL206 206-17 206-18 206-19 206-20	1 1/16 1 1/8 1 3/16 1 1/4	30	39.7 1.5630	160 6.2992	121 4.7638	48 1.8898	15 0.5906	19 0.7480	17 0.6693	80 3.1496	9 0.3543	35.7 1.4055	M12 1/2	SA206FA 206-17FA 206-18FA 206-19FA 206-20FA	PL206	1.33 2.9
SAPL207 207-20 207-21 207-22 207-23	1 1/4 1 5/16 1 3/8 1 7/16	35	46 1.8110	167 6.5748	127 5.0000	48 1.8898	15 0.5906	19 0.7480	19 0.7480	92 3.6220	9.5 0.3740	38.9 1.5315	M12 1/2	SA207FA 207-20FA 207-21FA 207-22FA 207-23FA	PL207	1.63 3.6
SAPL208 208-24 208-25	1 1/2 1 9/16	40	49.2 1.9370	181 7.1260	140 5.5118	54 2.1260	15 0.5906	19 0.7480	19 0.7480	100 3.9370	11 0.4331	43.7 1.7205	M12 1/2	SA208FA 208-24FA 208-25FA	PL208	2.16 4.8
SAPL209 209-26 209-27 209-28	1 5/8 1 11/16 1 3/4	45	52.4 2.0630	190 7.4803	146 5.7480	54 2.1260	15 0.5906	19 0.7480	21 0.8268	106 4.1732	11 0.4331	43.7 1.7205	M12 1/2	SA209FA 209-26FA 209-27FA 209-28FA	PL209	2.49 5.5
SAPL210 210-30	1 7/8	50	55.6 2.1890	203 7.9921	159 6.2598	57 2.2441	15 0.5906	19 0.7480	22 0.8661	113 4.4488	11 0.4331	43.7 1.7205	M12 1/2	SA210FA 210-30FA	PL210	2.94 6.5



Pillow block units (low center height)

(eccentric collar locking)



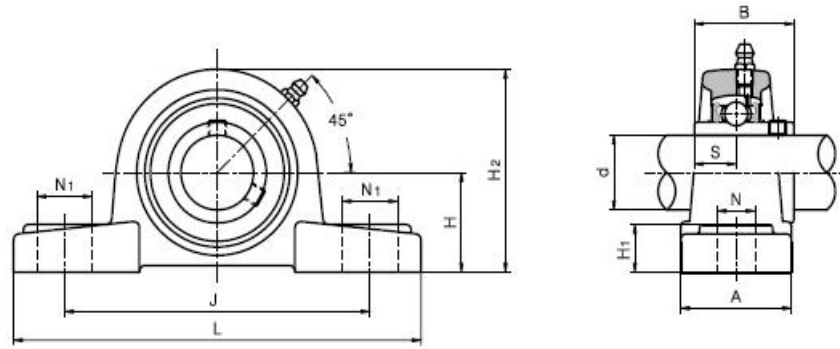
SAPL2

Unit number	Shaft size		Dimensions (mm)										Bolts (mm) (in.)	Bearing number	Housing number	Mass (kg) (lbS)
	d		Dimensions (inch)													
	(in.)	(mm)	H	L	J	A	N	N1	H1	H2	S	B1				
210-31 210-32	1 15/16 2		2.1890	7.9921	6.2598	2.2441	0.5906	0.7480	0.8661	4.4488	0.4331	1.7205	1/2	210-31FA 210-32FA	PL210	6.5
SAPL211		55	61.9	232	181	60	20	24	25	125	12	48.4	M16	SA211FA	PL211	3.89
211-32	2													211-32FA		
211-33	2 1/8		2.4370	9.1339	7.1260	2.3622	0.7874	0.9449	0.9843	4.9213	0.4724	1.9055	5/8	211-33FA		8.6
211-34	2 3/16													211-34FA		
SAPL212		60	68.3	241	191	64	20	24	29	136	13.5	53.1	M16	SA212FA	PL212	5.46
212-36	2 1/4													212-36FA		
212-37	2 5/16		2.6890	9.4882	7.5197	2.5197	0.7874	0.9449	1.1417	5.3543	0.5315	2.0906	5/8	212-37FA		12
212-38	2 3/8													212-38FA		
212-39	2 7/16													212-39FA		



Pillow block units (low center height)

(eccentric collar locking)



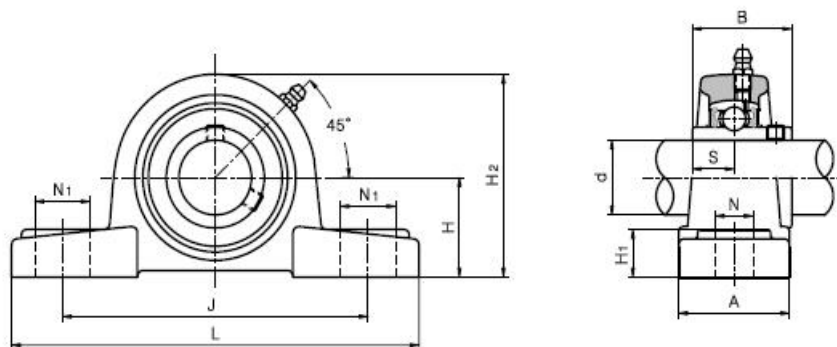
UCLP2

Unit number	Shaft size		Dimensions (mm)										Bolts (mm) (in.)	Bearing number	Housing number	Mass (kg) (lbS)
	d		(inch)													
	(in.)	(mm)	H	L	J	A	N	N1	H1	H2	S	B				
UCLP201 201-8	1/2	12	27 1.0630	121 4.7638	89 3.5039	29 1.1417	13 0.5118	16 0.6299	13 0.5118	56 2.2047	10 0.3937	26 1.0236	M10 3/8	UCW201 201-8	LP203	0.54 1.2
UCLP202 202-10	5/8	15	27 1.0630	121 4.7638	89 3.5039	29 1.1417	13 0.5118	16 0.6299	13 0.5118	56 2.2047	10 0.3937	26 1.0236	M10 3/8	UCW202 202-10	LP203	0.51 1.1
UCLP203 203-11	11/16	17	27 1.0630	121 4.7638	89 3.5039	29 1.1417	13 0.5118	16 0.6299	13 0.5118	56 2.2047	10 0.3937	26 1.0236	M10 3/8	UCW203 203-11	LP203	0.48 1
UCLP204 204-12	3/4	20	31.8 1.2520	133 5.2362	98 3.8583	32 1.2598	13 0.5118	19 0.7480	13 0.5118	65 2.5591	12.7 0.5000	31 1.2205	M10 3/8	UC204 204-12	LP204	0.78 1.7
UCLP205 205-14 205-15 205-16	7/8 15/16 1	25	33.3 1.3110	140 5.5118	105 4.1339	38 1.4961	13 0.5118	19 0.7480	16 0.6299	68 2.6772	14.3 0.5630	34.1 1.3425	M10 3/8	UC205 205-14 205-15 205-16	LP205	0.93 2
UCLP206 206-17 206-18 206-19 206-20	1 1/16 1 1/8 1 3/16 1 1/4	30	39.7 1.5630	165 6.4961	124 4.8819	41 1.6142	15 0.5906	22 0.8661	17.5 0.6890	81 3.1890	15.9 0.6260	38.1 1.5000	M12 1/2	UC206 206-17 206-18 206-19 206-20	LP206	1.27 2.8
UCLP207 207-20 207-21 207-22 207-23	1 1/4 1 5/16 1 3/8 1 7/16	35	46 1.8110	178 7.0079	136 5.3543	48 1.8898	15 0.5906	22 0.8661	19 0.7480	94 3.7008	17.5 0.6890	42.9 1.6890	M12 1/2	UC207 207-20 207-21 207-22 207-23	LP207	1.85 4.1
UCLP208 208-24 208-25	1 1/2 1 9/16	40	49.2 1.9370	184 7.2441	143 5.6299	51 2.0079	15 0.5906	22 0.8661	21 0.8268	100 3.9370	19 0.7480	49.2 1.9370	M12 1/2	UC208 208-24 208-25	LP208	2.19 4.8
UCLP209 209-26 209-27 209-28	1 5/8 1 11/16 1 3/4	45	52.4 2.0630	197 7.7559	152 5.9843	54 2.1260	15 0.5906	25 0.9843	21 0.8268	106 4.1732	19 0.7480	49.2 1.9370	M12 1/2	UC209 209-26 209-27 209-28	LP209	2.5 5.6



Pillow block units (low center height)

(eccentric collar locking)



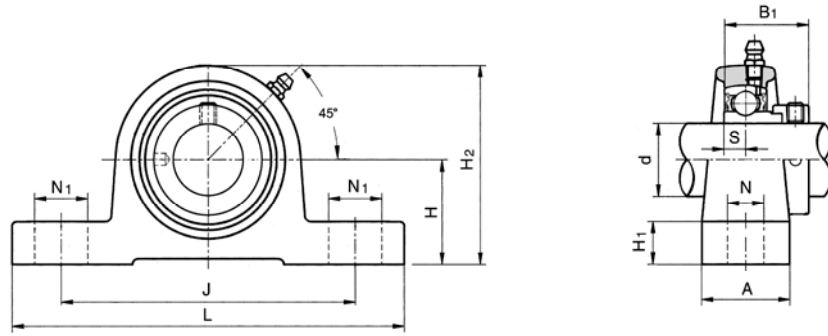
UCLP2

Unit number	Shaft size		Dimensions (mm)										Bolts (mm) (in.)	Bearing number	Housing number	Mass (kg) (lbS)
	d		(inch)													
	(in.)	(mm)	H	L	J	A	N	N1	H1	H2	S	B				
UCLP210	1 7/8 1 15/16 2	50	55.6	213	165	57	15	25	22	113	19	51.6	M12	UC210	LP210	3.2
210-30														210-30		
210-31			2.1890	8.3858	6.4961	2.2441	0.5906	0.9843	0.8661	4.4488	0.7480	2.0315	1/2	210-31		7
210-32														210-32		
UCLP211	2 2 1/8 2 3/16	55	61.9	235	184	64	19	29	25	125	22.2	55.6	M16	UC211	LP211	4.12
211-32														211-32		
211-34			2.4370	9.2520	7.2441	2.5197	0.7480	1.1417	0.9843	4.9213	0.8740	2.1890	5/8	211-34		9.1
211-35														211-35		
UCLP212	2 1/4 2 5/16 2 3/8 2 7/16	60	68.3	248	194	70	19	29	29	138	25.4	65.1	M16	UC212	LP212	5.43
212-36														212-36		
212-37			2.6890	9.7638	7.6378	2.7559	0.7480	1.1417	1.1417	5.4331	1.0000	2.5630	5/8	212-37		12
212-38														212-38		
212-39														212-39		
UCLP213	2 1/2	65	68.3	248	194	70	19	29	29	138	25.4	65.1	M16	UC213	LP213	6.1
213-40			2.6890	9.7638	7.6378	2.7559	0.7480	1.1417	1.1417	5.4331	1.0000	2.5630	5/8	213-40		13.4
UCLP214	2 11/16 2 3/4	70	82.6	298	232	82	21	32	35	167	30.2	74.6	M18	UC214	LP214	7.65
214-43			3.2520	11.7323	9.1339	3.2283	0.8268	1.2598	1.3780	6.5748	1.1890	2.9370	3/4	214-43		16.8
214-44														214-44		
UCLP215	2 7/8 2 15/16 3	75	82.6	298	232	82	21	32	35	167	33.3	77.8	M18	UC215	LP215	8.27
215-46														215-46		
215-47			3.2520	11.7323	9.1339	3.2283	0.8268	1.2598	1.3780	6.5748	1.3110	3.0630	3/4	215-47		18.2
215-48														215-48		



Pillow block units (light-duty)

(eccentric collar locking)



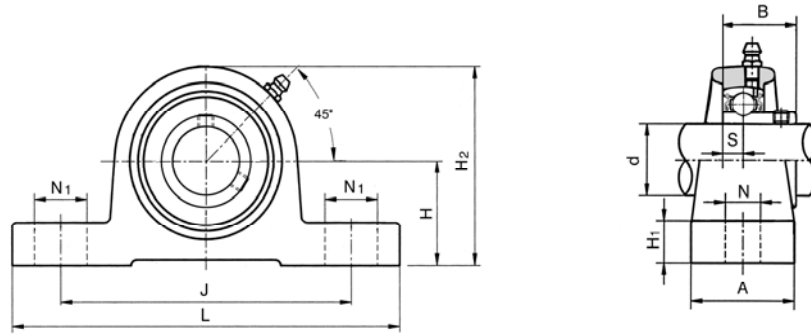
ALP2

Unit number	Shaft size		Dimensions (mm)										Bolts (mm) (in.)	Bearing number	Housing number	Mass (kg) (lbS)	
	d		(inch)														
	(in.)	(mm)	H	L	J	A	N	N ₁	H ₁	H ₂	S	B ₁					
ALP201	1/2	12	30.2	114	87	25	11.5	16	12	57	6.5	28.6	M10	SA201FA	LLP203	0.4	
201-8			1.1890	4.4882	3.4252	0.9843	0.4528	0.6299	0.4724	2.2441	0.2559	1.1260	3/8	201-8FA		0.9	
ALP202	5/8	15	30.2	114	87	25	11.5	16	12	57	6.5	28.6	M10	SA202FA	LLP203	0.39	
202-10			1.1890	4.4882	3.4252	0.9843	0.4528	0.6299	0.4724	2.2441	0.2559	1.1260	3/8	202-10FA		0.8	
ALP203	11/16	17	30.2	114	87	25	11.5	16	12	57	6.5	28.6	M10	SA203FA	LLP203	0.38	
203-11			1.1890	4.4882	3.4252	0.9843	0.4528	0.6299	0.4724	2.2441	0.2559	1.1260	3/8	203-11FA		0.8	
ALP204	3/4	20	33.3	125	97	27	11.5	16	13	65	7.5	31	M10	SA204FA	LLP204	0.62	
204-12			1.3110	4.9213	3.8189	1.0630	0.4528	0.6299	0.5118	2.5591	0.2953	1.2205	3/8	204-12FA		1.4	
ALP205	7/8	25	36.5	130	100	29	11.5	16	13	71	7.5	31	M10	SA205A	LLP205	0.7	
205-14			1.4370	5.1181	3.9370	1.1417	0.4528	0.6299	0.5118	2.7953	0.2953	1.2205	3/8	205-14A		1.5	
205-15			1 5/16												205-15A		
205-16	1													205-16A			
ALP206	1 1/16	30	42.6	156	120	33	14	21	14	83	9	35.7	M12	SA206FA	LLP206	1.03	
206-17			1.6772	6.1417	4.7244	1.2992	0.5512	0.8268	0.5512	3.2677	0.3543	1.4055	1/2	206-17FA		2.3	
206-18			1 1/8												206-18FA		
206-19			1 3/16												206-19FA		
206-20			1 1/4												206-20FA		
ALP207	1 1/4	35	47.6	165	127	35	14	21	16	93	9.5	38.9	M12	SA207FA	LLP207	1.32	
207-20			1.8740	6.4961	5.0000	1.3780	0.5512	0.8268	0.6299	3.6614	0.3740	1.5315	1/2	207-20FA		2.9	
207-21			1 5/16												207-21FA		
207-22			1 3/8												207-22FA		
207-23			1 7/16												207-23FA		
ALP208	1 1/2	40	50.8	184	140	37	14	22	18	102	11	43.7	M12	SA208FA	LLP208	1.59	
208-24			2.0000	7.2441	5.5118	1.4567	0.5512	0.8661	0.7087	4.0157	0.4331	1.7205	1/2	208-24FA		3.5	
208-25			1 9/16												208-25FA		



Pillow block units (light-duty)

(setscrew locking)



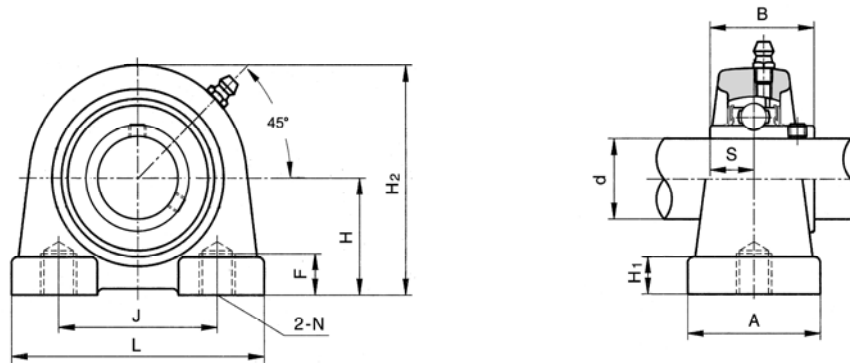
BLP2

Unit number	Shaft size		Dimensions (mm)										Bolts (mm) (in.)	Bearing number	Housing number	Mass (kg) (lbS)										
	d		(inch)																							
	(in.)	(mm)	H	L	J	A	N	N1	H1	H2	S	B														
BLP201 201-8	1/2	12	30.2	114	87	25	11.5	16	12	57	6	22	M10 3/8	SB201A 201-8A	LLP203	0.36										
			1.1890	4.4882	3.4252	0.9843	0.4528	0.6299	0.4724	2.2441	0.2362	0.8661				0.8										
BLP202 202-10	5/8	15	30.2	114	87	25	11.5	16	12	57	6	22	M10 3/8	SB202A 202-10A	LLP203	0.35										
			1.1890	4.4882	3.4252	0.9843	0.4528	0.6299	0.4724	2.2441	0.2362	0.8661				0.8										
BLP203 203-11	11/16	17	30.2	114	87	25	11.5	16	12	57	6	22	M10 3/8	SB203A 203-11A	LLP203	0.34										
			1.1890	4.4882	3.4252	0.9843	0.4528	0.6299	0.4724	2.2441	0.2362	0.8661				0.7										
BLP204 204-12	3/4	20	33.3	125	97	27	11.5	16	13	65	7	25	M10 3/8	SB204A 204-12A	LLP204	0.58										
			1.3110	4.9213	3.8189	1.0630	0.4528	0.6299	0.5118	2.5591	0.2756	0.9843				1.3										
BLP205 205-14 205-15 205-16	7/8	25	36.5	130	100	29	11.5	16	13	71	7.5	27	M10 3/8	SB205B 205-14B 205-15B 205-16B	LLP205	0.67										
	15/16															1.4370	5.1181	3.9370	1.1417	0.4528	0.6299	0.5118	2.7953	0.2953	1.0630	1.5
	1																									
BLP206 206-17 206-18 206-19 206-20	1 1/16	30	42.6	156	120	33	14	21	14	83	8	30	M12 1/2	SB206A 206-17A 206-18A 206-19A 206-20A	LLP206	0.96										
	1 1/8															1.6772	6.1417	4.7244	1.2992	0.5512	0.8268	0.5512	3.2677	0.3150	1.1811	2.1
	1 3/16																									
	1 1/4																									
BLP207 207-20 207-21 207-22 207-23	1 1/4	35	47.6	165	127	35	14	21	16	93	8.5	32	M12 1/2	SB207A 207-20A 207-21A 207-22A 207-23A	LLP207	1.2										
	1 5/16															1.8740	6.4961	5.0000	1.3780	0.5512	0.8268	0.6299	3.6614	0.3346	1.2598	2.6
	1 3/8																									
	1 7/16																									
BLP208 208-24 208-25	1 1/2	40	50.8	184	140	37	14	22	18	102	9	34	M12 1/2	SB208A 208-24A 208-25A	LLP208	1.43										
	1 9/16															2.0000	7.2441	5.5118	1.4567	0.5512	0.8661	0.7087	4.0157	0.3543	1.3386	3.1



Tapped base pillow block units

(setscrew locking)



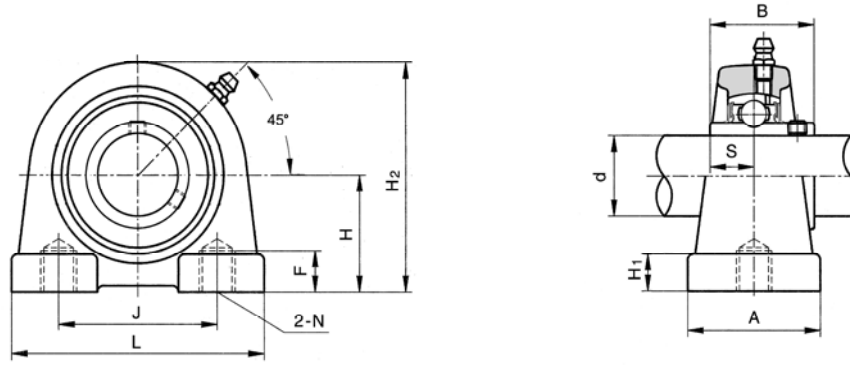
UCPA2

Unit number	Shaft size		Dimensions (mm)										Bearing number	Housing number	Mass (kg) (lbS)	
	d		(inch)													
	(in.)	(mm)	H	L	J	A	H1	H2	F	S	B	N				
UCPA201	1/2	12	30.2	76	52	38	11	62	13	12.7	31	M10×1.5	UC201 201-8	PA204	0.6	
201-8			1.1890	2.9921	2.0472	1.4961	0.4331	2.4409	0.5118	0.5000	1.2205	3/8-16 UNC			1.3	
UCPA202	5/8	15	30.2	76	52	38	11	62	13	12.7	31	M10×1.5	UC202 202-10	PA204	0.59	
202-10			1.1890	2.9921	2.0472	1.4961	0.4331	2.4409	0.5118	0.5000	1.2205	3/8-16 UNC			1.3	
UCPA203	11/16	17	30.2	76	52	38	11	62	13	12.7	31	M10×1.5	UC203 203-11	PA204	0.57	
203-11			1.1890	2.9921	2.0472	1.4961	0.4331	2.4409	0.5118	0.5000	1.2205	3/8-16 UNC			1.2	
UCPA204	3/4	20	30.2	76	52	38	11	62	13	12.7	31	M10×1.5	UC204 204-12	PA204	0.81	
204-12			1.1890	2.9921	2.0472	1.4961	0.4331	2.4409	0.5118	0.5000	1.2205	3/8-16 UNC			1.8	
UCPA205	7/8 15/16 1	25	36.5	84	56	38	12	72	15	14.3	31.4	M10 × 1.5	UC205 205-14 205-15 205-16	PA205	0.81	
205-14			1.4370	3.3071	2.2047	1.4961	0.4724	2.8346	0.5906	0.5630	1.2362	3/8-16 UNC			1.8	
205-15																
205-16																
UCPA206	1 1/16 1 1/8 1 3/16 1 1/4	30	42.9	94	66	48	12	84	18	15.9	38.1	M14 × 2	UC206 206-17 206-18 206-19 206-20	PA206	1.17	
206-17			1.6890	3.7008	2.5984	1.8898	0.4724	3.3071	0.7087	0.6260	1.5000	1/2-13 UNC			2.6	
206-18																
206-19																
206-20																
UCPA207	1 1/4 1 5/16 1 3/8 1 7/16	35	47.6	110	80	48	13	95	20	17.5	42.9	M14 × 2	UC207 207-20 207-21 207-22 207-23	PA207	1.65	
207-20			1.8740	4.3307	3.1496	1.8898	0.5118	3.7402	0.7874	0.6890	1.6890	1/2-13 UNC			3.5	
207-21																
207-22																
207-23																
UCPA208	1 1/2 1 9/16	40	49.2	116	84	54	13	100	20	19	49.2	M14 × 2	UC208 208-24 208-25	PA208	1.9	
208-24			1.9370	4.5669	3.3071	2.1260	0.5118	3.9370	0.7874	0.7480	1.9370	1/2-13 UNC			4.2	
208-25																
UCPA209	1 5/8 1 11/16 1 3/4	45	54.2	120	90	54	13	108	25	19	49.2	M14 × 2	UC209 209-26 209-27 209-28	PA209	2.17	
209-26			2.1339	4.7244	3.5433	2.1260	0.5118	4.2520	0.9843	0.7480	1.9370	1/2-13 UNC			4.8	
209-27																
209-28																



Tapped base pillow block units

(setscrew locking)

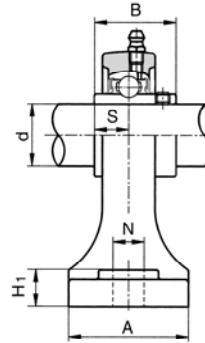
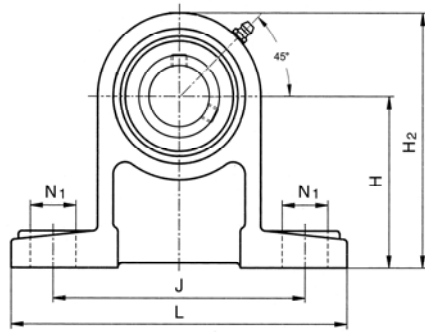


UCPA2

Unit number	Shaft size		Dimensions										Bearing number	Housing number	Mass (kg) (lbS)
	d		(mm)												
	(in.)	(mm)	H	L	J	A	H1	H2	F	S	B	N			
UCPA210		50	57.2	130	94	60	14	116	25	19	51.6	M16 × 2	UC210	PA210	2.73
210-30	1 7/8												210-30		
210-31	1 15/16		2.2520	5.1181	3.7008	2.3622	0.5512	4.5669	0.9843	0.7480	2.0315	5/8-11 UNC	210-31		6
210-32	2												210-32		
UCPA211		55	63.5	140	104	66	14	125	25	22.2	55.6	M16 × 2	UC211	PA211	3.37
211-32	2												211-32		
211-33	2 1/8		2.5000	5.5118	4.0945	2.5984	0.5512	4.9213	0.9843	0.8740	2.1890	5/8-11 UNC	211-34		7.4
211-34	2 3/16												211-35		
UCPA212		60	69.9	150	114	68	15	138	25	25.4	65.1	M16 × 2	UC212	PA212	4.37
212-36	2 1/4												212-36		
212-37	2 5/16		2.7520	5.9055	4.4882	2.6772	0.5906	5.4331	0.9843	1.0000	2.5630	5/8-11 UNC	212-37		9.6
212-38	2 3/8												212-38		
212-39	2 7/16												212-39		
UCPA213		65	76.2	160	124	70	15	150	25	25.4	65.1	M16 × 2	UC213	PA213	5.36
213-40	2 1/2		3.0000	6.2992	4.8819	2.7559	0.5906	5.9055	0.9843	1.0000	2.5630	5/8-11 UNC	213-40		12

Pillow block units (high center height)

(setscrew locking)



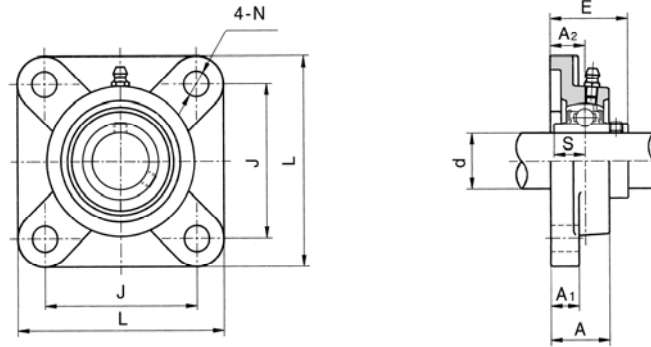
UCPH2

Unit number	Shaft size		Dimensions (mm)										Bolts (mm) (in.)	Bearing number	Housing number	Mass (kg) (lbS)
	d		Dimensions (inch)													
	(in.)	(mm)	H	L	J	A	N	N1	H1	H2	S	B				
UCPH201 201-8	1/2	12	70 2.7559	127 5.0000	95 3.7402	40 1.5748	13 0.5118	19 0.7480	15 0.5906	101 3.9764	12.7 0.5000	31 1.2205	M10 3/8	UC201 201-8	PH204	1 2.2
UCPH202 202-10	5/8	15	70 2.7559	127 5.0000	95 3.7402	40 1.5748	13 0.5118	19 0.7480	15 0.5906	101 3.9764	12.7 0.5000	31 1.2205	M10 3/8	UC202 202-10	PH204	0.98 2.2
UCPH203 203-11	11/16	17	70 2.7559	127 5.0000	95 3.7402	40 1.5748	13 0.5118	19 0.7480	15 0.5906	101 3.9764	12.7 0.5000	31 1.2205	M10 3/8	UC203 203-11	PH204	0.97 2.1
UCPH204 204-12	3/4	20	70 2.7559	127 5.0000	95 3.7402	40 1.5748	13 0.5118	19 0.7480	15 0.5906	101 3.9764	12.7 0.5000	31 1.2205	M10 3/8	UC204 204-12	PH204	0.95 2.1
UCPH205 205-14 205-15 205-16	7/8 15/16 1	25	80 3.1496	140 5.5118	105 4.1339	50 1.9685	13 0.5118	19 0.7480	16 0.6299	114 4.4882	14.3 0.5630	31.4 1.2362	M10 3/8	UC205 205-14 205-15 205-16	PH205	1.2 2.6
UCPH206 206-17 206-18 206-19 206-20	1 1/16 1 1/8 1 3/16 1 1/4	30	90 3.5433	165 6.4961	121 4.7638	50 1.9685	17 0.6693	21 0.8268	18 0.7087	130 5.1181	15.9 0.6260	38.1 1.5000	M14 9/16	UC206 206-17 206-18 206-19 206-20	PH206	1.89 4.2
UCPH207 207-20 207-21 207-22 207-23	1 1/4 1 5/16 1 3/8 1 7/16	35	95 3.7402	167 6.5748	127 5.0000	60 2.3622	17 0.6693	21 0.8268	18 0.7087	140 5.5118	17.5 0.6890	42.9 1.6890	M14 9/16	UC207 207-20 207-21 207-22 207-23	PH207	2.39 5.3
UCPH208 208-24 208-25	1 1/2 1 9/16	40	100 3.9370	184 7.2441	137 5.3937	70 2.7559	17 0.6693	21 0.8268	20 0.7874	150 5.9055	19 0.7480	49.2 1.9370	M14 9/16	UC208 208-24 208-25	PH208	2.79 6.1
UCPH209 209-26 209-27 209-28	1 5/8 1 11/16 1 3/4	45	105 4.1339	190 7.4803	146 5.7480	70 2.7559	17 0.6693	21 0.8268	20 0.7874	158 6.2205	19 0.7480	49.2 1.9370	M14 9/16	UC209 209-26 209-27 209-28	PH209	3.18 7
UCPH210 210-30 210-31 210-32	1 7/8 1 15/16 2	50	110 4.3307	206 8.1102	159 6.2598	70 2.7559	20 0.7874	22 0.8661	22 0.8661	165 6.4961	19 0.7480	51.6 2.0315	M16 5/8	UC210 210-30 210-31 210-32	PH210	3.68 8.1



Four bolts flange units

(eccentric collar locking)



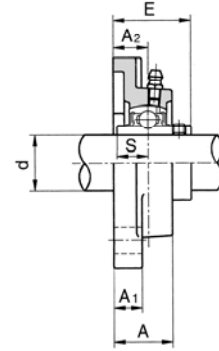
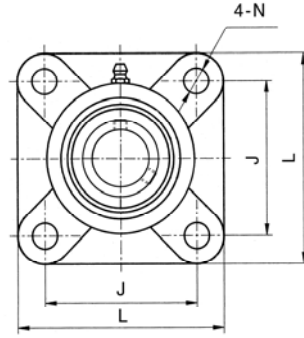
UCF2

Unit number	Shaft size		Dimensions (mm)								Bolts (mm) (in.)	Bearing number	Housing number	Mass (kg) (lbS)
	d		Dimensions (inch)											
	(in.)	(mm)	L	J	A ₂	A ₁	A	N	E	S				
1 UCF201		12	86	64	15	11	25.5	12	33.3	12.7	M10	UC201	F204	0.65
2 201-8	1/2		3.3858	2.5197	0.5906	0.4331	1.0039	0.4724	1.3110	0.5000	3/8	201-8		1.4
3 UCF202		15	86	64	15	11	25.5	12	33.3	12.7	M10	UC202	F204	0.64
4 202-10	5/8		3.3858	2.5197	0.5906	0.4331	1.0039	0.4724	1.3110	0.5000	3/8	202-10		1.4
5 UCF203		17	86	64	15	11	25.5	12	33.3	12.7	M10	UC203	F204	0.63
6 203-11	11/16		3.3858	2.5197	0.5906	0.4331	1.0039	0.4724	1.3110	0.5000	3/8	203-11		1.4
7 UCF204		20	86	64	15	11	25.5	12	33.3	12.7	M10	UC204	F204	0.61
8 204-12	3/4		3.3858	2.5197	0.5906	0.4331	1.0039	0.4724	1.3110	0.5000	3/8	204-12		1.3
9 UCF205		25	95	70	16	13	27	12	35.8	14.3	M10	UC205	F205	0.82
10 205-14	7/8											205-14		
11 205-15	15/16		3.7402	2.7559	0.6299	0.5118	1.0630	0.4724	1.4094	0.5630	3/8	205-15		1.8
12 205-16	1											205-16		
13 UCF206		30	108	83	18	13	31	12	40.2	15.9	M10	UC206	F206	1.13
14 206-17	1 1/16											206-17		
15 206-18	1 1/8		4.2520	3.2677	0.7087	0.5118	1.2205	0.4724	1.5827	0.6260	3/8	206-18		2.5
16 206-19	1 3/16											206-19		
17 206-20	1 1/4											206-20		
18 UCF207		35	117	92	19	15	34	14	44.4	17.5	M12	UC207	F207	1.42
19 207-20	1 1/4											207-20		
20 207-21	1 5/16		4.6063	3.6220	0.7480	0.5906	1.3386	0.5512	1.7480	0.6890	1/2	207-21		3.1
21 207-22	1 3/8											207-22		
22 207-23	1 7/16											207-23		
23 UCF208		40	130	102	21	15	36	16	51.2	19	M14	UC208	F208	1.87
24 208-24	1 1/2		5.1181	4.0157	0.8268	0.5906	1.4173	0.6299	2.0157	0.7480	9/16	208-24		4.1
25 208-25	1 9/16											208-25		
26 UCF209		45	137	105	22	16	38	16	52.2	19	M14	UC209	F209	2.15
27 209-26	1 5/8											209-26		
28 209-27	1 11/16		5.3937	4.1339	0.8661	0.6299	1.4961	0.6299	2.0551	0.7480	9/16	209-27		4.7
29 209-28	1 3/4											209-28		



Four bolts flange units

(eccentric collar locking)



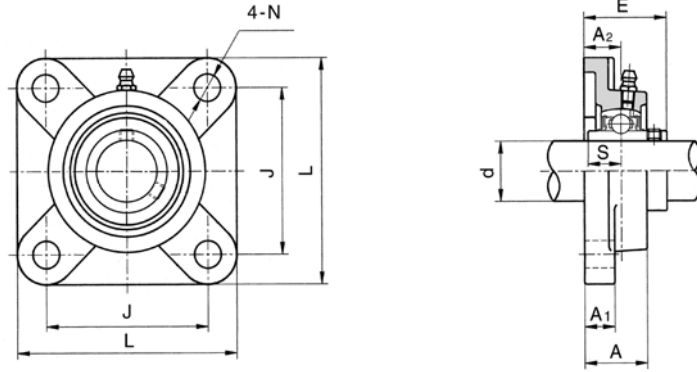
UCF2

Unit number	Shaft size		Dimensions (mm)								Bolts (mm) (in.)	Bearing number	Housing number	Mass (kg) (lbS)
	d		Dimensions (inch)											
	(in.)	(mm)	L	J	A ₂	A ₁	A	N	E	S				
30 UCF210		50	143	111	22	16	40	16	54.6	19	M14	UC210	F210	2.45
31 210-30	1 7/8											210-30		
32 210-31	1 15/16		5.6299	4.3701	0.8661	0.6299	1.5748	0.6299	2.1496	0.7480	9/16	210-31		5.4
33 210-32	2											210-32		
UCF211		55	162	130	25	18	43	19	58.4	22.2	M16	UC211	F211	3.4
211-32	2											211-32		7.5
211-34	2 1/8		6.3780	5.1181	0.9843	0.7087	1.6929	0.7480	2.2992	0.8740	5/8	211-34		
211-35	2 3/16											211-35		
UCF212		60	175	143	29	18	48	19	68.7	25.4	M16	UC212	F212	4.17
212-36	2 1/4											212-36		9.2
212-37	2 5/16		6.8898	5.6299	1.1417	0.7087	1.8898	0.7480	2.7047	1.0000	5/8	212-37		
212-38	2 3/8											212-38		
212-39	2 7/16											212-39		
UCF213		65	187	149	30	22	50	19	69.7	25.4	M16	UC213	F213	5.32
213-40	2 1/2		7.3622	5.8661	1.1811	0.8661	1.9685	0.748	2.7441	1	5/8	213-40		11.7
UCF214		70	193	152	31	22	54	19	75.4	30.2	M16	UC214	F214	5.92
214-43	2 11/16		7.5984	5.9843	1.2205	0.8661	2.126	0.748	2.9685	1.189	5/8	214-43		13
214-44	2 3/4											214-44		
UCF215		75	200	159	34	22	56	19	78.5	33.3	M16	UC215	F215	6.65
215-46	2 7/8											215-46		14.6
215-47	2 15/16		7.8740	6.2598	1.3386	0.8661	2.2047	0.7480	3.0906	1.3110	5/8	215-47		
215-48	3											215-48		
UCF216		80	208	165	34	22	58	23	83.3	33.3	M20	UC216	F216	7.89
			8.189	6.4961	1.3386	0.8661	2.2835	0.9055	3.2795	1.311	3/4			17.4
UCF217		85	220	175	36	24	63	23	87.6	34.1	M20	UC217	F217	9.18
217-52	3 1/4		8.6614	6.8898	1.4173	0.9449	2.4803	0.9055	3.4488	1.3425	3/4	217-52		20.2
UCF218		90	235	187	40	24	68	23	96.3	39.7	M20	UC218	F218	11.2
218-56	3 1/2		9.252	7.3622	1.5748	0.9449	2.6772	0.9055	3.7913	1.563	3/4	218-56		24.7
UCF220		100	265	210	44	25	70	27	110	42	M22	UC220	F220	12
220-64	4		10.4331	8.2677	1.7323	0.9843	2.7559	1.063	4.3307	1.6535	7/8	220-64		26.4



Four bolts flange units

(eccentric collar locking)



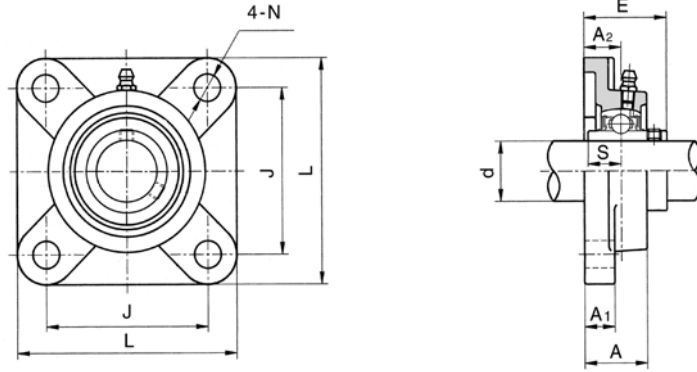
UCFX

Unit number	Shaft size		Dimensions (mm)								Bolts (mm) (in.)	Bearing number	Housing number	Mass (kg) (lbS)
	d		(inch)											
	(in.)	(mm)	L	J	A ₂	A ₁	A	N	E	S				
UCFX05 X05-16	1	25	108 4.2520	83 3.2677	18 0.7087	13 0.5118	30 1.1811	12 0.4724	40.2 1.5827	15.9 0.6260	M10 3/8	UCX05 X05-16	FX05	1.15 2.5
UCFX06 X06-19 X06-20	1 3/16 1 1/4	30	117 4.6063	92 3.6220	19 0.7480	14 0.5512	34 1.3386	16 0.6299	44.4 1.7480	17.5 0.6890	M14 9/16	UCX06 X06-19 X06-20	FX06	1.5 3.3
UCFX07 X07-22 X07-23	1 3/8 1 7/16	35	130 5.1181	102 4.0157	21 0.8268	14 0.5512	38 1.4961	16 0.6299	51.2 2.0157	19 0.7480	M14 9/16	UCX07 X07-22 X07-23	FX07	1.97 4.3
UCFX08 X08-24	1 1/2	40	137 5.3937	105 4.1339	22 0.8661	14 0.5512	40 1.5748	19 0.7480	52.2 2.0551	19 0.7480	M16 5/8	UCX08 X08-24	FX08	2.1 4.6
UCFX09 X09-27 X09-28	1 11/16 1 3/4	45	143 5.6299	111 4.3701	23 0.9055	14 0.5512	40 1.5748	19 0.7480	55.6 2.1890	19 0.7480	M16 5/8	UCX09 X09-27 X09-28	FX09	2.29 5
UCFX10 X10-31 X10-32	1 15/16 2	50	162 6.3780	130 5.1181	26 1.0236	20 0.7874	44 1.7323	19 0.7480	59.4 2.3386	22.2 0.8740	M16 5/8	UCX10 X10-31 X10-32	FX10	3.59 7.9
UCFX11 X11-35 X11-36	2 3/16 2 1/4	55	175 6.8898	143 5.6299	29 1.1417	20 0.7874	49 1.9291	19 0.7480	68.7 2.7047	25.4 1.0000	M16 5/8	UCX11 X11-35 X11-36	FX11	4.54 10
UCFX12 X12-38 X12-39	2 3/8 2 7/16	60	187 7.3622	149 5.8661	34 1.3386	21 0.8268	59 2.3228	19 0.7480	73.7 2.9016	25.4 1.0000	M16 5/8	UCX12 X12-38 X12-39	FX12	5.89 12.9
UCFX13 X13-40	2 1/2	65	187 7.3622	149 5.8661	34 1.3386	21 0.8268	59 2.3228	19 0.7480	78.4 3.0866	30.2 1.1890	M16 5/8	UCX13 X13-40	FX13	6.26 13.8
UCFX14 X14-44	2 3/4	70	197 7.7559	152 5.9843	37 1.4567	24 0.9449	60 2.3622	23 0.9055	81.5 3.2087	33.3 1.3110	M20 3/4	UCX14 X14-44	FX14	6.58 14.5



Four bolts flange units

(eccentric collar locking)



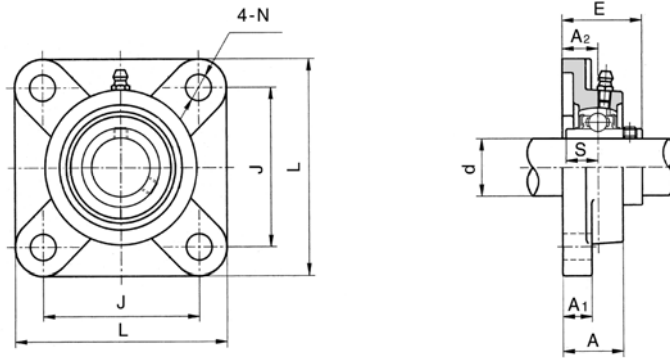
UCFX

Unit number	Shaft size		Dimensions (mm)								Bolts (mm) (in.)	Bearing number	Housing number	Mass (kg) (lbS)
	d		(inch)											
	(in.)	(mm)	L	J	A ₂	A ₁	A	N	E	S				
UCFX15 X15-48	3	75	197 7.7559	152 5.9843	40 1.5748	24 0.9449	68 2.6772	23 0.9055	89.3 3.5157	33.3 1.3110	M20 3/4	UCX15 X15-48	FX15	7.25 16
UCFX16		80	214 8.4252	171 6.7323	40 1.5748	24 0.9449	70 2.7559	23 0.9055	91.6 3.6063	34.1 1.3425	M20 3/4	UCX16	FX16	9.17 20.2
UCFX17 X17-52	3 1/4	85	214 8.4252	171 6.7323	40 1.5748	24 0.9449	70 2.7559	23 0.9055	96.3 3.7913	39.7 1.5630	M20 3/4	UCX17 X17-52	FX17	9.47 20.8
UCFX18 X18-56	3 1/2	90	214 8.4252	171 6.7323	45 1.7717	24 0.9449	76 2.9921	23 0.9055	106.1 4.1772	42.9 1.6890	M20 3/4	UCX18 X18-56	FX18	10.23 22.5
UCFX20 X20-64	4	100	268 10.5512	211 8.3071	59 2.3228	31 1.2205	97 3.8189	31 1.2205	127.3 5.0118	49.2 1.9370	M27 1	UCX20 X20-64	FX20	17.32 38.1



Four bolts flange units

(setscrew locking)

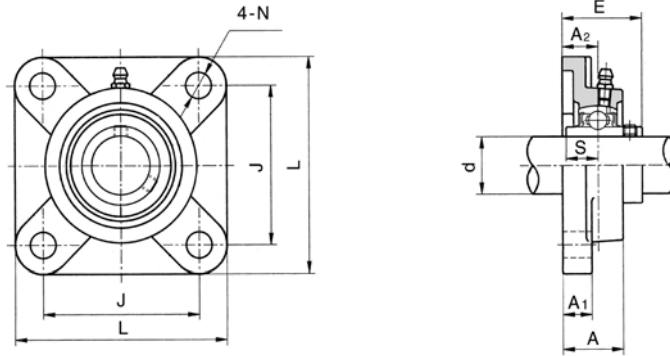


UCF3

Unit number	Shaft size		Dimensions (mm)								Bolts (mm) (in.)	Bearing number	Housing number	Mass (kg) (lbS)
	d		(inch)											
	(in.)	(mm)	L	J	A2	A1	A	N	E	S				
UCF305		25	110	80	16	13	29	16	39	15	M14	UC305	F305	1.01
305-14	7/8											305-14		
305-15	15/16		4.3307	3.1496	0.6299	0.5118	1.1417	0.6299	1.5354	0.5906	9/16	305-15		2.2
305-16	1											305-16		
UCF306		30	125	95	18	15	32	16	44	17	M14	UC306	F306	1.53
306-17	1 1/16											306-17		
306-18	1 1/8		4.9213	3.7402	0.7087	0.5906	1.2598	0.6299	1.7323	0.6693	9/16	306-18		3.4
306-19	1 3/16											306-19		
306-20	1 1/4											306-20		
UCF307		35	135	100	20	16	36	19	49	19	M16	UC307	F307	1.86
307-20	1 1/4											307-20		
307-21	1 5/16		5.3150	3.9370	0.7874	0.6299	1.4173	0.7480	1.9291	0.7480	5/8	307-21		4.1
307-22	1 3/8											307-22		
307-23	1 7/16											307-23		
UCF308		40	150	112	23	17	40	19	56	19	M16	UC308	F308	2.65
308-24	1 1/2		5.9055	4.4094	0.9055	0.6693	1.5748	0.7480	2.2047	0.7480	5/8	308-24		5.8
308-25	1 9/16											308-25		
UCF309		45	160	125	25	18	44	19	60	22	M16	UC309	F309	3.21
309-26	1 5/8											309-26		
309-27	1 11/16		6.2992	4.9213	0.9843	0.7087	1.7323	0.7480	2.3622	0.8661	5/8	309-27		7.1
309-28	1 3/4											309-28		
UCF310		50	175	132	28	19	48	23	67	22	M20	UC310	F310	4.32
310-30	1 7/8											310-30		
310-31	1 15/16		6.8898	5.1969	1.1024	0.7480	1.8898	0.9055	2.6378	0.8661	3/4	310-31		9.5
310-32	2											310-32		
UCF311		55	185	140	30	20	52	23	71	25	M20	UC311	F311	5.24
311-32	2											311-32		
311-34	2 1/8		7.2835	5.5118	1.1811	0.7874	2.0472	0.9055	2.7953	0.9843	3/4	311-34		11.5
311-35	2 3/16											311-35		
UCF312		60	195	150	33	22	56	23	78	26	M20	UC312	F312	6.4
312-36	2 1/4											312-36		
312-37	2 5/16		7.6772	5.9055	1.2992	0.8661	2.2047	0.9055	3.0709	1.0236	3/4	312-37		14.1
312-38	2 3/8											312-38		
312-39	2 7/16											312-39		

Four bolts flange units

(setscrew locking)



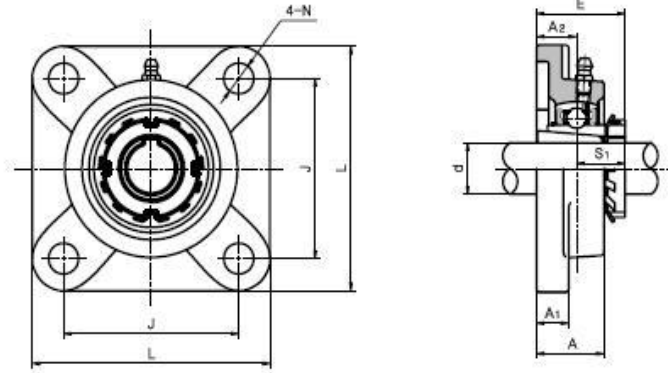
UCF3

Unit number	Shaft size		Dimensions (mm)								Bolts (mm) (in.)	Bearing number	Housing number	Mass (kg) (lbS)
	d		Dimensions (inch)											
	(in.)	(mm)	L	J	A2	A1	A	N	E	S				
UCF313		65	208	166	33	22	58	23	78	30	M20	UC313		7.8
313-40	2 1/2											313-40	F313	17.16
313-41	2 9/16		8.1890	6.5354	1.2992	0.8661	2.2835	0.9055	3.0709	1.1811	3/4	313-41		
UCF314		70	226	178	36	25	61	25	81	33	M22	UC314	F314	10.1
314-42	2 5/8											314-42		
314-43	2 11/16		8.8976	7.0079	1.4173	0.9843	2.4016	0.9843	3.1890	1.2992	7/8	314-43		22.22
314-44	2 3/4											314-44		
UCF315		75	236	184	39	25	66	25	89	32	M22	UC315	F315	11.6
315-45	2 13/16											315-45		
315-46	2 7/8		9.2913	7.2441	1.5354	0.9843	2.5984	0.9843	3.5039	1.2598	7/8	315-46		25.52
315-47	2 15/16											315-47		
315-48	3											315-48		
UCF316		80	250	196	38	27	68	31	90	34	M27	UC316	F316	12.8
316-49	3 1/16											316-49		
316-50	3 1/8		9.8425	7.7165	1.4961	1.0630	2.6772	1.2205	3.5433	1.3386	1.0000	316-50		28.16
316-51	3 3/16											316-51		
UCF317		85	260	204	44	27	74	31	100	40	M27	UC317	F317	15.3
317-52	3 1/4											317-52		
317-53	3 5/16		10.2362	8.0315	1.7323	1.0630	2.9134	1.2205	3.9370	1.5748	1.0000	317-53		33.66
317-55	3 7/16											317-55		
UCF318		90	280	216	44	30	76	35	100	40	M30	UC318	F318	18.9
318-55	3 7/16											318-55		
318-56	3 1/2		11.0236	8.5039	1.7323	1.1811	2.9921	1.3780	3.9370	1.5748	1.1250	318-56		41.58
318-57		95	290	228	59	30	94	35	121	41	M30	318-57	F319	21.6
319-58	3 5/8											319-58		
319-59	3 11/16		11.4173	8.9764	2.3228	1.1811	3.7008	1.3780	4.7638	1.6142	1 1/8	319-59		47.52
319-60	3 3/4											319-60		
UCF320		100	310	242	59	32	94	38	125	42	M33	UC320	F320	25.8
320-61	3 13/16											320-61		
320-62	3 7/8											320-62		
320-63	3 15/16		12.2047	9.5276	2.3228	1.2598	3.7008	1.4961	4.9213	1.6535		320-63		56.76
320-64	4											320-64		



Four bolts flange units

(adapter sleeves locking)



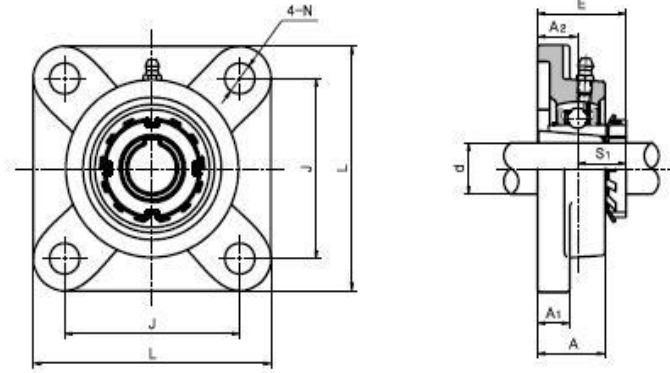
UKF2+H23

Unit number	Shaft size		Dimensions (mm)										Bearing number	Housing number	Mass (kg) (lbS)
	d		(inch)												
	(in.)	(mm)	H	L	J	A	H1	H2	F	S	B	N			
UKF205+H2305 UKF205+HE2305	3/4	20	95	70	16	13	27	12	35.5	19.5	M10	UK205	F205	H2305	0.85
3.7402			2.7559	0.6299	0.5118	1.0630	0.4724	1.3976	0.7677	3/8	HE2305	1.9			
UKF206+H2306 UKF206+HA2306 UKF206+HE2306	15/16 1	25	108	83	18	13	31	12	39	21	M10	UK206	F206	H2306	1.21
4.2520			3.2677	0.7087	0.5118	1.2205	0.4724	1.5354	0.8268	3/8	HA2306	2.6			
HE2306															
UKF207+H2307 UKF207+HS2307 UKF207+HA2307	1 1/8 1 3/16	30	117	92	19	15	34	14	41.5	22.5	M12	UK207	F207	H2307	1.48
4.6063			3.6220	0.7480	0.5906	1.3386	0.5512	1.6339	0.8858	1/2	HS2307	3.3			
HA2307															
UKF208+H2308 UKF208+HE2308 UKF208+HS2308	1 1/4 1 3/8	35	130	102	21	15	36	16	45.5	24.5	M14	UK208	F208	H2308	1.92
5.1181			4.0157	0.8268	0.5906	1.4173	0.6299	1.7913	0.9646	9/16	HE2308	4.2			
HS2308															
UKF209+H2309 UKF209+HE2309	1 1/2	40	137	105	22	22	38	16	48	26	M14	UK209	F209	H2309	2.24
5.3937			4.1339	0.8661	0.8661	1.4961	0.6299	1.8898	1.0236	9/16	HE2309	4.9			
UKF210+H2310 UKF210+HA2310 UKF210+HE2310	1 11/16 1 3/4	45	143	111	22	16	40	16	49.5	27.5	M14	UK210	F210	H2310	2.57
5.6299			4.3701	0.8661	0.6299	1.5748	0.6299	1.9488	1.0827	9/16	HA2310	5.7			
HE2310															
UKF211+H2311 UKF211+HA2311 UKF211+HE2311	1 15/16 2	50	162	130	25	18	43	19	53.5	28.5	M16	UK211	F211	H2311	3.53
6.3780			5.1181	0.9843	0.7087	1.6929	0.7480	2.1063	1.1220	5/8	HA2311	7.8			
HE2311															
UKF212+H2312 UKF212+HS2312	2 1/8	55	175	143	29	18	48	19	60	31	M16	UK212	F212	H2312	4.2
6.8898			5.6299	1.1417	0.7087	1.8898	0.7480	2.3622	1.2205	5/8	HS2312	9.2			
UKF213+H2313 UKF213+HE2313 UKF213+HS2313	2 1/4 2 3/8	60	187	149	30	22	50	19	63	33	M16	UK213	F213	H2313	5.41
7.3622			5.8661	1.1811	0.8661	1.9685	0.7480	2.4803	1.2992	5/8	HE2313	11.9			
HS2313															
UKF215+H2315 UKF215+HE2315	2 1/2	65	200	159	34	22	56	19	69.5	35.5	M16	UK215	F215	H2315	7.03
7.8740			6.2598	1.3386	0.8661	2.2047	0.7480	2.7362	1.3976	5/8	HE2315	15.5			



Four bolts flange units

(adapter sleeves locking)



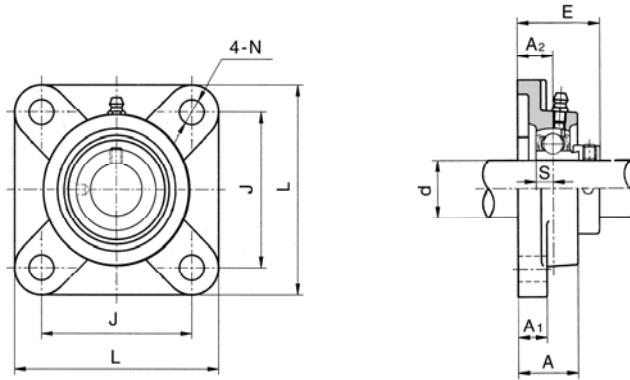
UKF2+H23

Unit number	Shaft size		Dimensions (mm)										Bearing number	Housing number	Mass (kg) (lbS)
	d		Dimensions (inch)												
	(in.)	(mm)	H	L	J	A	H1	H2	F	S	B	N			
UKF216+H2316		70	208	165	34	22	58	23	73	39	M20	UK216	F216	H 2316	8.36
UKF216+HE2316	2 3/4		8.1890	6.4961	1.3386	0.8661	2.2835	0.9055	2.8740	1.5354	3/4				
UKF217+H2317		75	220	175	36	24	63	23	77	41	M20	UK217	F217	H2317	9.73
UKF217+HE2317	3		8.6614	6.8898	1.4173	0.9449	2.4803	0.9055	3.0315	1.6142	3/4				
UKF218+H2318		80	235	187	40	20	68	23	82.5	42.5	M20	UK218	F218	H2318	11.43
			9.2520	7.3622	1.5748	0.7874	2.6772	0.9055	3.2480	1.6732	3/4				



Four bolts flange units

(eccentric collar locking)



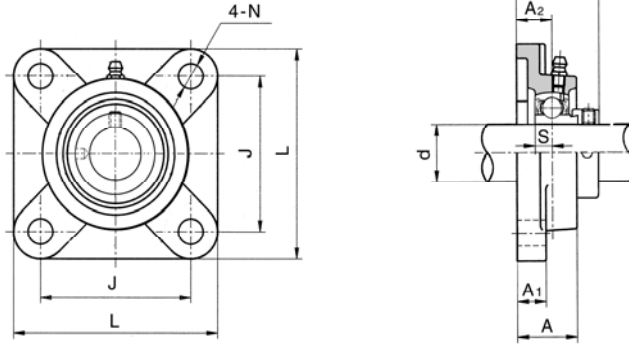
NANF2

Unit number	Shaft size		Dimensions (mm)								Bolts (mm) (in.)	Bearing number	Housing number	Mass (kg) (lbS)
	d		(inch)											
	(in.)	(mm)	L	J	A2	A1	A	N	E	S				
SAF204		20	86	64	15	11	25.5	12	38.5	7.5	M10	SA204FA	F204	0.65
204-12	3/4		3.3858	2.5197	0.5906	0.4331	1.0039	0.4724	1.5157	0.2953	3/8	204-12FA		1.4
SAF205		25	95	70	16	13	27	12	39.5	7.5	M10	SA205A	F205	0.82
205-14	7/8											205-14A		
205-15	15/16		3.7402	2.7559	0.6299	0.5118	1.0630	0.4724	1.5551	0.2953	3/8	205-15A		1.8
205-16	1											205-16A		
SAF206		30	108	83	18	13	31	12	44.7	9.0	M10	SA206FA	F206	1.14
206-17	1 1/16											206-17FA		
206-18	1 1/8											206-18FA		
206-19	1 3/16		4.2520	3.2677	0.7087	0.5118	1.2205	0.4724	1.7598	0.3543	3/8	206-19FA		2.5
206-20	1 1/4											206-20FA		
SAF207		35	117	92	19	15	34	14	48.4	9.5	M12	SA207FA	F207	1.45
207-20	1 1/4											207-20FA		
207-21	1 5/16											207-21FA		
207-22	1 3/8		4.6063	3.6220	0.7480	0.5906	1.3386	0.5512	1.9055	0.3740	1/2	207-22FA		3.2
207-23	1 7/16											207-23FA		
SAF208		40	130	102	21	15	36	16	53.7	11.0	M14	SA208FA	F208	1.89
208-24	1 1/2											208-24FA		
208-25	1 9/16		5.1181	4.0157	0.8268	0.5906	1.4173	0.6299	2.1142	0.4331	9/16	208-25FA		4.2
SAF209		45	137	105	22	16	38	16	54.7	11.0	M14	SA209FA	F209	2.16
209-26	1 5/8											209-26FA		
209-27	1 11/16		5.3937	4.1339	0.8661	0.6299	1.4961	0.6299	2.1535	0.4331	9/16	209-27FA		4.7
209-28	1 3/4											209-28FA		
SAF210		50	143	111	22	16	40	16	54.7	11.0	M14	SA210FA	F210	2.43
210-30	1 7/8											210-30FA		
210-31	1 15/16		5.6299	4.3701	0.8661	0.6299	1.5748	0.6299	2.1535	0.4331	9/16	210-31FA		5.4
210-32	2											210-32FA		



Four bolts flange units

(eccentric collar locking)



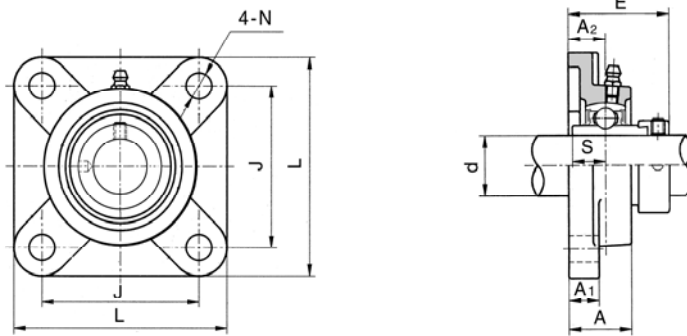
NANF2

Unit number	Shaft size		Dimensions (mm)								Bolts (mm) (in.)	Bearing number	Housing number	Mass (kg) (lbS)
	d		Dimensions (inch)											
	(in.)	(mm)	L	J	A2	A1	A	N	E	S				
SAF211		55	162	130	25	18	43	19	61.4	12.0	M16	SA211FA	F211	3.12
211-32	2											211-32FA		
211-34	2 1/8		6.3780	5.1181	0.9843	0.7087	1.6929	0.7480	2.4173	0.4724	5/8	211-33FA		6.9
211-35	2 3/16											211-34FA		
SAF212		60	175	143	29	18	48	19	68.6	13.5	M16	SA212FA	F212	4.09
212-36	2 1/4											212-36FA		
212-37	2 5/16		6.8898	5.6299	1.1417	0.7087	1.8898	0.7480	2.7008	0.5315	5/8	212-37FA		9
212-38	2 3/8											212-38FA		
212-39	2 7/16											212-39FA		



Four bolts flange units

(eccentric collar locking)



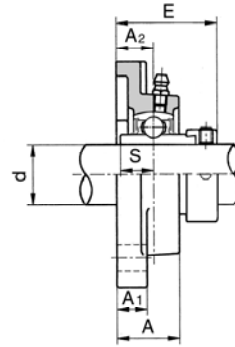
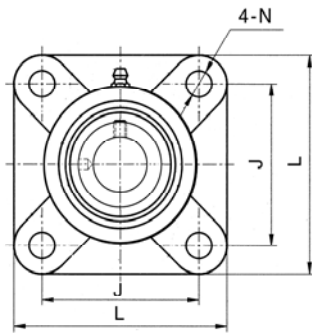
NANF2

Unit number	Shaft size		Dimensions (mm)								Bolts (mm) (in.)	Bearing number	Housing number	Mass (kg) (lbS)													
	d		Dimensions (inch)																								
	(in.)	(mm)	L	J	A2	A1	A	N	E	S																	
NANF201	1/2	12	86	64	19	15	29.5	11.5	45.5	17.0	M10	NA201	NF204	0.82													
201-8		3.3858	2.5197	0.7480	0.5906	1.1614	0.4528	1.7913	0.6693	3/8	201-8		1.8														
NANF202	5/8	15	86	64	19	15	29.5	11.5	45.5	17.0	M10	NA202	NF204	0.8													
202-10		3.3858	2.5197	0.7480	0.5906	1.1614	0.4528	1.7913	0.6693	3/8	202-10		1.8														
NANF203	1 1/16	17	86	64	19	15	29.5	11.5	45.5	17	M10	NA203	NF204	0.79													
203-11		3.3858	2.5197	0.7480	0.5906	1.1614	0.4528	1.7913	0.6693	3/8	203-11		1.7														
NANF204	3/4	20	86	64	19	15	29.5	11.5	45.5	17.0	M10	NA204	NF204	0.77													
204-12		3.3858	2.5197	0.7480	0.5906	1.1614	0.4528	1.7913	0.6693	3/8	204-12		1.7														
NANF205	7/8	25	95	70	19	15	30	11.5	45.9	17.4	M10	NA205	NF205	0.95													
205-14														2.1													
205-15														1 5/16	3.7402	2.7559	0.7480	0.5906	1.1811	0.4528	1.8071	0.6850	3/8	205-15			
205-16															1									205-16			
NANF206	1 1/16	30	108	83	20	16	33	11.5	50.1	18.2	M10	NA206	NF206	1.32													
206-17														2.9													
206-18														1 3/16	4.2520	3.2677	0.7874	0.6299	1.2992	0.4528	1.9724	0.7165	3/8	206-18	206-19	206-20	
206-19																											
206-20																											1 1/4
NANF207	1 1/4	35	117	92	21	17	36	14	53.3	18.8	M12	NA207	NF207	1.77													
207-20														3.9													
207-21														1 3/8	4.6063	3.6220	0.8268	0.6693	1.4173	0.5512	2.0984	0.7402	1/2	207-21	207-22	207-23	
207-22																											
207-23																											1 7/16
NANF208	1 1/2	40	130	102	24	17	39	14	58.9	21.4	M12	NA208	NF208	2.12													
208-24														4.7													
208-25														1 9/16	5.1181	4.0157	0.9449	0.6693	1.5354	0.5512	2.3189	0.8425	1/2	208-24	208-25		
NANF209	1 5/8	45	137	105	24	18	40	16	58.9	21.4	M14	NA209	NF209	2.53													
209-26														5.6													
209-27														1 11/16	5.3937	4.1339	0.9449	0.7087	1.5748	0.6299	2.3189	0.8425	9/16	209-26	209-27	209-28	
209-28																											1 3/4



Four bolts flange units

(eccentric collar locking)



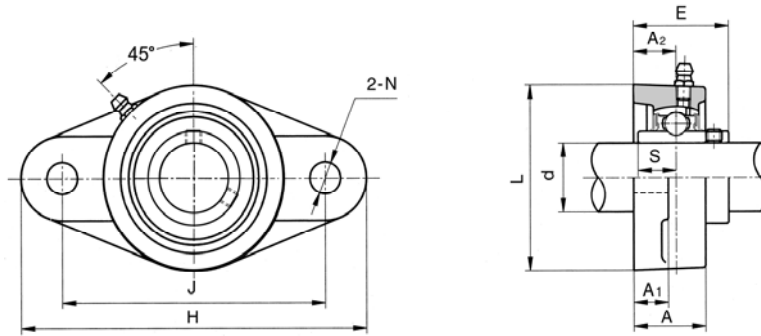
NANF2

Unit number	Shaft size		Dimensions (mm)								Bolts (mm) (in.)	Bearing number	Housing number	Mass (kg) (lbS)
	d		Dimensions (inch)											
	(in.)	(mm)	L	J	A2	A1	A	N	E	S				
NANF210		50	144	111	28	20	46	18	66.1	24.6	M16	NA210	NF210	2.95
210-30	1 7/8											210-30		
210-31	1 15/16		5.6693	4.3701	1.1024	0.7874	1.8110	0.7087	2.6024	0.9685	5/8	210-31		6.5
210-32	2											210-32		
NANF211		55	163	130	31	21	49	18	74.7	27.7	M16	NA211	NF211	4.18
211-32	2											211-32		9.2
211-34	2 1/8		6.4173	5.1181	1.2205	0.8268	1.9291	0.7087	2.9409	1.0906	5/8	211-34		
211-35	2 3/16											211-35		
NANF212		60	175	143	34	21	53	18	80.9	30.9	M16	NA212	NF212	5.15
212-36	2 1/4											212-36		
212-37	2 5/16		6.8898	5.6299	1.3386	0.8268	2.0866	0.7087	3.1850	1.2165	5/8	212-37		11.3
212-38	2 3/8											212-38		
212-39	2 7/16											212-39		
NANF213		65	187	149	38	22	59	18	89.6	34.1	M16	NA213	NF213	6.1
213-40	2 1/2		7.3622	5.8661	1.4961	0.8661	2.3228	0.7087	3.5276	1.3425	5/8	213-40		13.4
NANF214		70	188	152	38	23	60	18	89.6	34.1	M16	NA214	NF214	6.62
214-43	2 11/16		7.4016	5.9843	1.4961	0.9055	2.3622	0.7087	3.5276	1.3425	5/8	214-43		14.6
214-44	2 3/4											214-44		
NANF215		75	200	159	41	24	62	18	95.8	37.3	M16	NA215	NF215	7.26
215-46	2 7/8											215-46		
215-47	2 15/16		7.8740	6.2598	1.6142	0.9449	2.4409	0.7087	3.7717	1.4685	5/8	215-47		16
215-48	3											215-48		

Two bolts flange units



(setscrew locking)



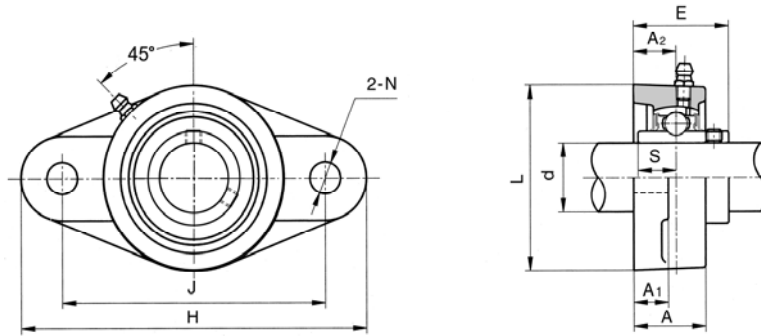
UCFL2

Unit number	Shaft size		Dimensions (mm)									Bolts (mm)	Bearing number	Housing number	Mass (kg)		
	d		(inch)														
	(in.)	(mm)	H	J	L	A ₂	A ₁	A	N	E	S						
UCFL201	1/2	12	113	90	60	15	11	25.5	12	33.3	12.7	M10	UC201	FL204	0.56		
201-8			4.4488	3.5433	2.3622	0.5906	0.4331	1.0039	0.4724	1.3110	0.5000	3/8			201-8	1.2	
UCFL202	5/8	15	113	90	60	15	11	25.5	12	33.3	12.7	M10	UC202	FL204	0.54		
202-10			4.4488	3.5433	2.3622	0.5906	0.4331	1.0039	0.4724	1.311	0.5	3/8			202-10	1.2	
UCFL203	11/16	17	113	90	60	15	11	25.5	12	33.3	12.7	M10	UC203	FL204	0.53		
203-11			4.4488	3.5433	2.3622	0.5906	0.4331	1.0039	0.4724	1.3110	0.5000	3/8			203-11	1.2	
UCFL204	3/4	20	113	90	60	15	11	25.5	12	33.3	12.7	M10	UC204	FL204	0.52		
204-12			4.4488	3.5433	2.3622	0.5906	0.4331	1.0039	0.4724	1.311	0.5	3/8			204-12	1.1	
UCFL205	7/8	25	130	99	68	16	13	27	16	35.8	14.3	M14	UC205	FL205	0.64		
205-14			5.1181	3.8976	2.6772	0.6299	0.5118	1.0630	0.6299	1.4094	0.5630	9/16			205-14	1.4	
205-15			15/16	1												205-15	
UCFL206	1 1/16	30	148	117	80	18	13	31	16	40.2	15.9	M14	UC206	FL206	0.93		
206-17			5.8268	4.6063	3.1496	0.7087	0.5118	1.2205	0.6299	1.5827	0.626	9/16			206-17	2	
206-18			1 1/8													206-18	
206-19			1 3/16													206-19	
UCFL207	1 1/4	35	161	130	90	19	15	34	16	44.4	17.5	M14	UC207	FL207	1.2		
207-20			6.3386	5.1181	3.5433	0.7480	0.5906	1.3386	0.6299	1.7480	0.6890	9/16			207-20	2.6	
207-21			1 5/16													207-21	
207-22			1 3/8													207-22	
UCFL208	1 1/2	40	175	144	100	21	15	36	16	51.2	19	M14	UC208	FL208	1.59		
208-24			6.8898	5.6693	3.937	0.8268	0.5906	1.4173	0.6299	2.0157	0.748	9/16			208-24	3.5	
UCFL209	1 3/4	45	188	148	108	22	16	38	19	52.2	19	M16	UC209	FL209	1.84		
209-26			7.4016	5.8268	4.2520	0.8661	0.6299	1.4961	0.7480	2.0551	0.7480	5/8			209-26	4.1	
209-27			1 11/16													209-27	
UCFL210	1 7/8	50	197	157	115	22	16	40	19	54.6	19	M16	UC210	FL210	2.15		
210-30			7.7559	6.1811	4.5276	0.8661	0.6299	1.5748	0.7480	2.1496	0.7480	5/8			210-30	4.7	

Two bolts flange units



(setscrew locking)



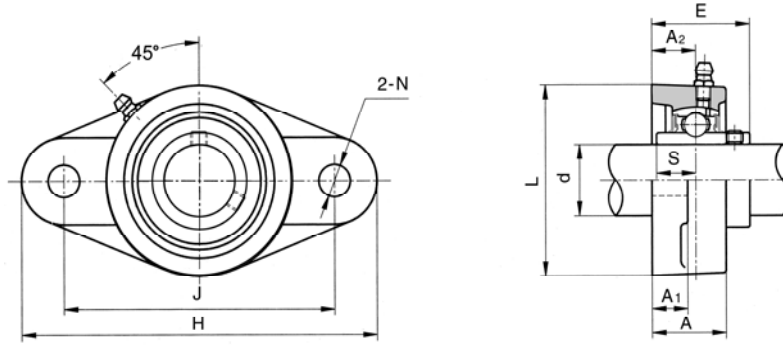
UCFL2

Unit number	Shaft size		Dimensions (mm)									Bolts (mm) (in.)	Bearing number	Housing number	Mass (kg) (lbs)
	d		Dimensions (inch)												
	(in.)	(mm)	H	J	L	A ₂	A ₁	A	N	E	S				
210-31 210-32	1 15/16 2		7.7559	6.1811	4.5276	0.8661	0.6299	1.5748	0.7480	2.1496	0.7480	5/8	210-31 210-32	FL210	4.7
UCFL211		55	224	184	130	25	18	43	19	58.4	22.2	M16	UC211	FL211	3.1
211-32	2												211-32		
211-34	2 1/8		8.8189	7.2441	5.1181	0.9843	0.7087	1.6929	0.7480	2.2992	0.8740	5/8	211-34		6.8
211-35	2 3/16												211-35		
UCFL212		60	250	202	140	29	18	48	23	68.7	25.4	M20	UC212	FL212	3.99
212-36	2 1/4												212-36		
212-37	2 5/16		9.8425	7.9528	5.5118	1.1417	0.7087	1.8898	0.9055	2.7047	1.0000	3/4	212-37		8.8
212-38	2 3/8												212-38		
212-39	2 7/16												212-39		
UCFL213		65	258	210	155	30	22	50	23	69.7	25.4	M20	UC213	FL213	4.96
213-40	2 1/2		10.1575	8.2677	6.1024	1.1811	0.8661	1.9685	0.9055	2.7441	1.0000	3/4	213-40		10.9
UCFL214		70	265	216	160	31	22	54	23	75.4	30.2	M20	UC214	FL214	5.6
214-43	2 11/16												214-43		
214-44	2 3/4		10.4331	8.5039	6.2992	1.2205	0.8661	2.1260	0.9055	2.9685	1.1890	3/4	214-44		12.3
UCFL215		75	275	225	165	34	22	56	23	78.5	33.3	M20	UC215	FL215	6.21
215-46	2 7/8												215-46		
215-47	2 15/16		10.8268	8.8583	6.4961	1.3386	0.8661	2.2047	0.9055	3.0906	1.3110	3/4	215-47		13.7
215-48	3												215-48		
UCFL216		80	290	233	180	34	22	58	25	83.3	33.3	M22	UC216	FL216	7.69
			11.4173	9.1732	7.0866	1.3386	0.8661	2.2835	0.9843	3.2795	1.3110	7/8			16.9
UCFL217		85	305	248	190	36	24	63	25	87.6	34.1	M22	UC217	FL217	9.15
217-52	3 1/4		12.0079	9.7638	7.4803	1.4173	0.9449	2.4803	0.9843	3.4488	1.3425	7/8	217-52		20.2
UCFL218		90	320	265	205	40	24	68	25	96.3	39.7	M22	UC218	FL218	10.95
218-56	3 1/2		12.5984	10.4331	8.0709	1.5748	0.9449	2.6772	0.9843	3.7913	1.5630	7/8	218-56		24.1

Two bolts flange units



(setscrew locking)



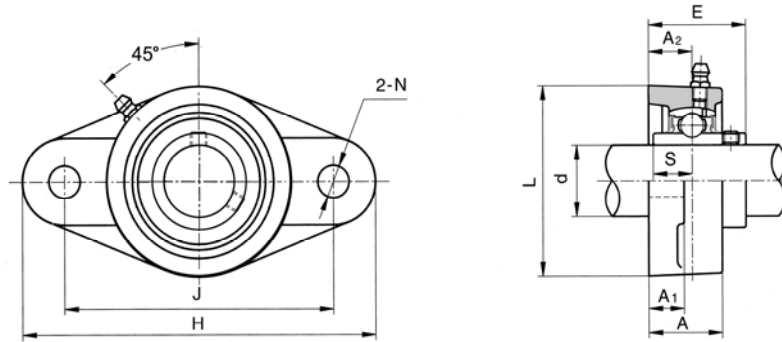
UCFLX

Unit number	Shaft size		Dimensions (mm)									Bolts (mm) (in.)	Bearing number	Housing number	Mass (kg) (lbS)
	d		(inch)												
	(in.)	(mm)	H	J	L	A ₂	A ₁	A	N	E	S				
UCFLX05 X05-16	1	25	141 5.5512	117 4.6063	83 3.2677	18 0.7087	13 0.5118	30 1.1811	12 0.4724	40.2 1.5827	15.9 0.6260	M10 3/8	UCX05 X05-16	FLX05	0.98 2.2
UCFLX06 X06-19 X06-20	1 3/16 1 1/4	30	156 6.1417	130 5.1181	95 3.7402	19 0.7480	15 0.5906	34 1.3386	16 0.6299	44.4 1.7480	17.5 0.6890	M14 9/16	UCX06 X06-19 X06-20	FLX06	1.31 2.9
UCFLX07 X07-22 X07-23	1 3/8 1 7/16	35	171 6.7323	144 5.6693	105 4.1339	21 0.8268	16 0.6299	38 1.4961	16 0.6299	51.2 2.0157	19 0.7480	M14 9/16	UCX07 X07-22 X07-23	FLX07	1.7 3.7
UCFLX08 X08-24	1 1/2	40	179 7.0472	148 5.8268	111 4.3701	22 0.8661	16 0.6299	40 1.5748	16 0.6299	52.2 2.0551	19 0.7480	M14 9/16	UCX08 X08-24	FLX08	1.99 4.4
UCFLX09 X09-27 X09-28	1 11/16 1 3/4	45	189 7.4409	157 6.1811	116 4.5669	23 0.9055	16 0.6299	40 1.5748	16 0.6299	55.6 2.1890	19 0.7480	M14 9/16	UCX09 X09-27 X09-28	FLX09	2.29 5
UCFLX10 X10-31 X10-32	1 15/16 2	50	216 8.5039	184 7.2441	133 5.2362	26 1.0236	18 0.7087	44 1.7323	19 0.7480	59.4 2.3386	22.2 0.8740	M16 5/8	UCX10 X10-31 X10-32	FLX10	3.27 7.2

Two bolts flange units



(setscrew locking)



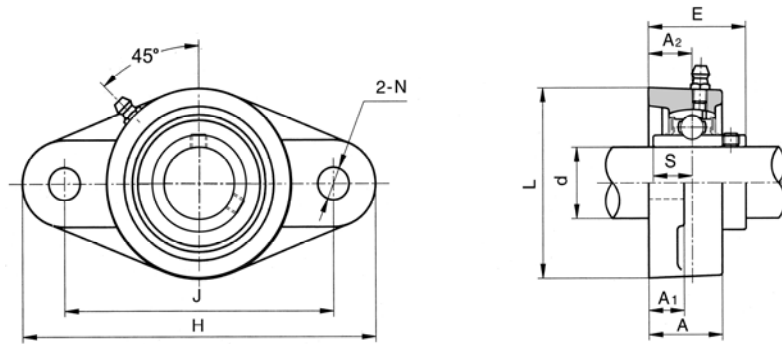
UCFL3

Unit number	Shaft size		Dimensions (mm)									Bolts (mm) (in.)	Bearing number	Housing number	Mass (kg) (lbS)
	d		(inch)												
	(in.)	(mm)	H	J	L	A2	A1	A	N	E	S				
UCFL305		25	150	113	80	16	13	29	19	39	15	M16	UC305	FL305	1.15
305-14	7/8												305-14		
305-15	15/16		5.9055	4.4488	3.1496	0.6299	0.5118	1.1417	0.7480	1.5354	0.5906	5/8	305-15		2.5
305-16	1												305-16		
UCFL306		30	180	134	90	18	15	32	23	44	17	M20	UC306	FL306	1.66
306-17	1 1/16												306-17		
306-18	1 1/8		7.0866	5.2756	3.5433	0.7087	0.5906	1.2598	0.9055	1.7323	0.6693	3/4	306-18		3.6
306-19	1 3/16												306-19		
306-20	1 1/4												306-20		
UCFL307		35	185	141	100	20	16	36	23	49	19	M20	UC307	FL307	1.91
307-20	1 1/4												307-20		
307-21	1 5/16		7.2835	5.5512	3.9370	0.7874	0.6299	1.4173	0.9055	1.9291	0.7480	3/4	307-21		4.2
307-22	1 3/8												307-22		
307-23	1 7/16												307-23		
UCFL308		40	200	158	112	23	17	40	23	56	19	M20	UC308	FL308	2.5
308-24	1 1/2		7.8740	6.2205	4.4094	0.9055	0.6693	1.5748	0.9055	2.2047	0.7480	3/4	308-24		5.5
308-25	1 9/16												308-25		
UCFL309		45	230	177	125	25	18	44	25	60	22	M22	UC309	FL309	3.53
309-26	1 5/8												309-26		
309-27	1 11/16		9.0551	6.9685	4.9212	0.9842	0.7087	1.7323	0.9842	2.3622	0.8661	7/8	309-27		7.8
309-28	1 3/4												309-28		
UCFL310		50	240	187	140	28	19	48	25	67	22	M22	UC310	FL311	4.39
310-30	1 7/8												310-30		
310-31	1 15/16		9.4488	7.3622	5.5118	1.1024	0.7480	1.8898	0.9842	2.6378	0.8661	7/8	310-31		9.7
310-32	2	55											310-32		
UCFL311			250	198	150	30	20	52	25	71	25	M22	UC311	FL310	5.05
311-32	2												311-32		
311-34	2 1/8		9.8425	7.7953	5.9055	1.1811	0.7874	2.0472	0.9842	2.7953	0.9842	7/8	311-34		1.11
311-35	2 3/16												311-35		
UCFL312		60	270	212	160	33	22	56	31	78	26	M26	UC312	FL312	5.9
312-36	2 1/4												312-36		
312-37	2 5/16		10.6300	8.3464	6.2992	1.2992	0.8661	2.2047	1.2205	3.0709	1.0236	1	312-37		13
312-38	2 3/8												312-38		
312-39	2 7/16												312-39		

Two bolts flange units



(setscrew locking)



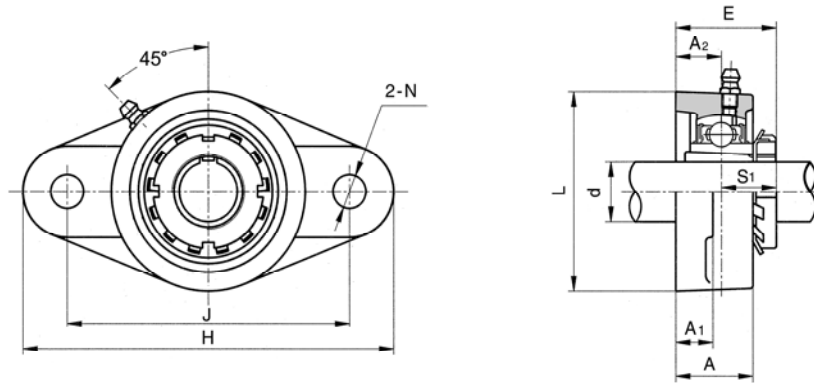
UCFL3

Unit number	Shaft size		Dimensions (mm)									Bolts (mm) (in.)	Bearing number	Housing number	Mass (kg) (lbS)
	d		(inch)												
	(in.)	(mm)	H	J	L	A2	A1	A	N	E	S				
UCFL313		65	295	240	175	33	25	58	31	78	30	M26	UC313		8.5
313-40	2 1/2												313-40	FL313	18.7
313-41	2 9/16		11.6142	9.4488	6.8898	1.2992	0.9843	2.2835	1.2205	3.0709	1.1811	1	313-41		
UCFL314		70	315	250	185	36	28	61	35	81	33	M30	UC314		9.7
314-42	2 5/8												314-42	FL314	21.34
314-43	2 11/16		12.4016	9.8425	7.2835	1.4173	1.1024	2.4016	1.3780	3.1890	1.2992	1 1/8	314-43		
314-44	2 3/4												314-44		
UCFL315		75	320	260	195	39	30	66	35	89	32	M30	UC315		11.3
315-45	2 13/16												315-45	FL315	24.86
315-46	2 7/8		12.5984	10.2362	7.6772	1.5354	1.1811	2.5984	1.3780	3.5039	1.2598	1 1/8	315-46		
315-47	2 15/16												315-47		
315-48	3												315-48		
UCFL316		80	355	285	210	38	32	68	38	90	34	M32	UC316		14.4
316-49	3 1/16												316-49	FL316	31.68
316-50	3 1/8		13.9764	11.2205	8.2677	1.4961	1.2598	2.6772	1.4961	3.5433	1.3386	1 1/4	316-50		
316-51	3 3/16												316-51		
UCFL317		85	370	300	220	44	32	74	38	100	40	M32	UC317		16
317-52	3 1/4												317-52	FL317	35.2
317-53	3 5/16		14.5669	11.8110	8.6614	1.7323	1.2598	2.9134	1.4961	3.9370	1.5748	1 1/4	317-53		
317-54	3 7/16												317-54		
UCFL318		90	385	315	235	44	36	76	38	100	40	M32	UC318		19
318-55	3 7/16												318-55	FL318	41.8
318-56	3 1/2		15.1575	12.4016	9.2520	1.7323	1.4173	2.9921	1.4961	3.9370	1.5748	1 1/4	318-56		
UCFL319		95	405	330	250	59	40	94	41	121	41	M36	UC319		24.6
319-58	3 5/8												319-58	FL319	54.12
319-59	3 11/16		15.9449	12.9921	9.8425	2.3228	1.5748	3.7008	1.6142	4.7638	1.6142	1 7/16	319-59		
319-60	3 3/4												319-60		
UCFL320		100	440	360	270	59	40	94	44	125	42	M38	UC320		29.4
320-61	3 13/16												320-61	FL320	64.68
320-62	3 7/8		17.3228	14.1732	10.6299	2.3228	1.5748	3.7008	1.7323	4.9213	1.6535	1 1/2	320-62		
320-63	3 15/16												320-63		
320-64	4												320-64		

Two bolts flange units



(adapter sleeve locking)



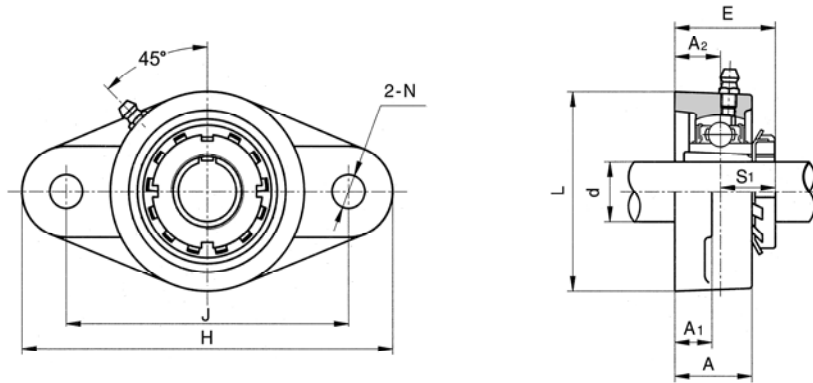
UKFL2+H23

Unit number	Shaft size		Dimensions (mm)									Bolts (mm) (in.)	Bearing number	Housing number	Adapter number	Mass (kg) (lbS)
	d		(inch)													
	(in.)	(mm)	H	J	L	A2	A1	A	N	E	S					
UKFL205+H2305 205+HE2305	3/4	20	130 5.1181	99 3.8976	68 2.6772	16 0.6299	13 0.5118	27 1.0630	16 0.6299	35.5 1.3976	19.5 0.7677	M14 9/16	UK205	FL205	H2305 HE2305	0.67 1.5
UKFL206+H2306 206+HA2306 206+HE2306	15/16 1	25	148 5.8268	117 4.6063	80 3.1496	18 0.7087	13 0.5118	31 1.2205	16 0.6299	39 1.5354	21 0.8268	M14 9/16	UK206	FL206	H2306 HA2306 HE2306	1.01 2.2 1.26
UKFL207+H2307 207+HS2307 207+HA2307	1 1/8 1 3/16	30	161 6.3386	130 5.1181	90 3.5433	19 0.748	15 0.5906	34 1.3386	16 0.6299	41.5 1.6339	22.5 0.8858	M14 9/16	UK207	FL207	H2307 HS2307 HA2307	1.26 2.8 3.6
UKFL208+H2308 208+HE2308 208+HS2308	1 1/4 1 3/8	35	175 6.8898	144 5.6693	100 3.937	21 0.8268	15 0.5906	36 1.4173	16 0.6299	45.5 1.7913	24.5 0.9646	M14 9/16	UK208	FL208	H2308 HE2308 HS2308	1.64 3.6 2.27
UKFL209+H 2309 209+HE2309	1 1/2	40	188 7.4016	148 5.8268	108 4.252	22 0.8661	16 0.6299	38 1.4961	19 0.748	48 1.8898	26 1.0236	M16 5/8	UK209	FL209	H2309 HE2309	1.93 4.2
UKFL210+H 2310 210+HA2310 210+HE2310	1 11/16 1 3/4	45	197 7.7559	157 6.1811	115 4.5276	22 0.8661	16 0.6299	40 1.5748	19 0.748	49.5 1.9488	27.5 1.0827	M16 5/8	UK210	FL210	H2310 HA2310 HE2310	2.27 5.1
UKFL211+H2311 211+HA2311 211+HE2311	1 15/16 2	50	224 8.8189	184 7.2441	130 5.1181	25 0.9843	18 0.7087	43 1.6929	19 0.748	53.5 2.1063	28.5 1.122	M16 5/8	UK211	FL211	H2311 HA2311 HE2311	3.23 7.1
UKFL212+H 2312 212+HS2312	2 1/8	55	250 9.8425	202 7.9528	140 5.5118	29 1.1417	18 0.7087	48 1.8898	23 0.9055	60 2.3622	31 1.2205	M20 3/4	UK212	FL212	H2312 HS2312	4.02 8.8
UKFL213+H2313 213+HE2313 213+HS2313	2 1/4 2 3/8	60	258 10.157	210 8.2677	155 6.1024	30 1.1811	22 0.8661	50 1.9685	23 0.9055	63 2.4803	33 1.2992	M20 3/4	UK213	FL213	H2313 HE2313 HS2313	5.05 11.1



Two bolts flange units

(adapter sleeve locking)



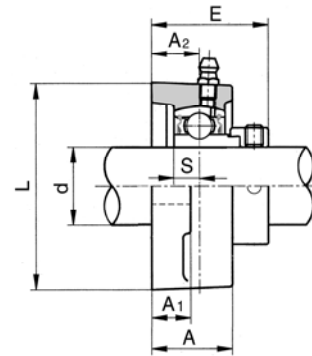
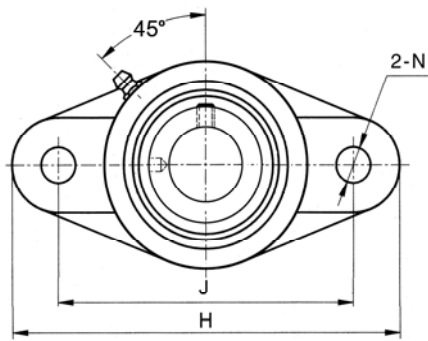
UKFL2+H23

Unit number	Shaft size		Dimensions (mm)									Bolts (mm) (in.)	Bearing number	Housing number	Adapter number	Mass (kg) (lbS)
	d		Dimensions (inch)													
	(in.)	(mm)	H	J	L	A ₂	A ₁	A	N	E	S					
UKFL215+H2315 215+HE2315	2 1/2	65	275	225	165	34	22	56	23	69.5	35.5	M20	UK215	FL215	H2315	6.59
		10.827	8.8583	6.4961	1.3386	0.8661	2.2047	0.9055	2.7362	1.3976	3/4	HE2315			14.5	
UKFL216+H2316 216+HE2316	2 3/4	70	290	233	180	34	22	58	25	73	39	M22	UK216	FL216	H2316	8.16
		11.417	9.1732	7.0866	1.3386	0.8661	2.2835	0.9843	2.874	1.5354	7/8	HE2316			18	
UKFL217+H2317 217+HE2317	3	75	305	248	190	36	24	63	25	77	41	M22	UK217	FL217	H2317	9.7
		12.008	9.7638	7.4803	1.4173	0.9449	2.4803	0.9843	3.0315	1.6142	7/8	HE2317			21.3	

Two bolts flange units



(eccentric collar locking)



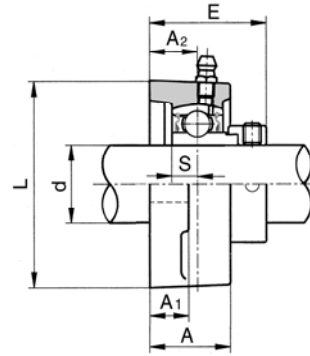
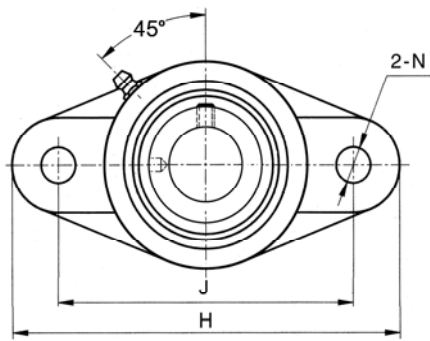
SAFL2

Unit number	Shaft size		Dimensions (mm)									Bolts (mm) (in.)	Bearing number	Housing number	Mass (kg) (lbS)
	d		Dimensions (inch)												
	(in.)	(mm)	H	J	L	A2	A1	A	N	E	S				
SAFL204	20	3/4	113	90	60	15	11	25.5	12	38.5	7.5	M10	SA204FA	FL204	0.56
204-12			4.4488	3.5433	2.3622	0.5906	0.4331	1.0039	0.4724	1.5157	0.2953	3/8	204-12FA		1.2
SAFL205	25	7/8	130	99	68	16	13	27	16	39.5	7.5	M14	SA205A	FL205	0.63
205-14		15/16	5.1181	3.8976	2.6772	0.6299	0.5118	1.063	0.6299	1.5551	0.2953	9/16	205-14A		1.4
205-15		1											205-15A		
205-16													205-16A		
SAFL206	30	1 1/16	148	117	80	18	13	31	16	44.7	9	M14	SA206FA	FL206	0.94
206-17		1 1/8	5.8268	4.6063	3.1496	0.7087	0.5118	1.2205	0.6299	1.7598	0.3543	9/16	206-17FA		2.1
206-18		1 3/16											206-18FA		
206-19		1 3/16											206-19FA		
206-20		1 1/4											206-20FA		
SAFL207	35	1 1/4	161	130	90	19	15	34	16	48.4	9.5	M14	SASA207FA	FL207	1.23
207-20		1 5/16	6.3386	5.1181	3.5433	0.748	0.5906	1.3386	0.6299	1.9055	0.374	9/16	207-20FA		2.7
207-21		1 3/8											207-21FA		
207-22		1 7/16											207-22FA		
207-23													207-23FA		
SAFL208	40	1 1/2	175	144	100	21	15	36	16	53.7	11	M14	SA208FA	FL208	1.61
208-24		1 9/16	6.8898	5.6693	3.937	0.8268	0.5906	1.4173	0.6299	2.1142	0.4331	9/16	208-24FA		3.5
208-25													208-25FA		
SAFL209	45	1 5/8	188	148	108	22	16	38	19	54.7	11	M16	SA209FA	FL209	1.85
209-26		1 11/16	7.4016	5.8268	4.252	0.8661	0.6299	1.4961	0.748	2.1535	0.4331	5/8	209-26FA		4.1
209-27		1 3/4											209-27FA		
209-28													209-28FA		
SAFL210	50	1 7/8	197	157	115	22	16	40	19	54.7	11	M16	SA210FA	FL210	2.14
210-30		1 15/16	7.7559	6.1811	4.5276	0.8661	0.6299	1.5748	0.748	2.1535	0.4331	5/8	210-30FA		4.7
210-31		2											210-31FA		
210-32													210-32FA		

Two bolts flange units



(eccentric collar locking)



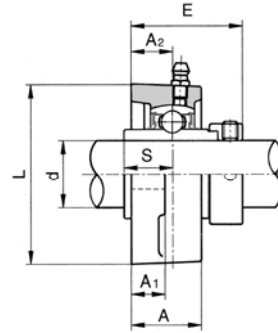
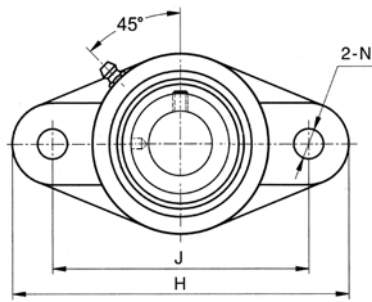
SAFL2

Unit number	Shaft size		Dimensions (mm)									Bolts (mm) (in.)	Bearing number	Housing number	Mass (kg) (lbS)
	d		(inch)												
	(in.)	(mm)	H	J	L	A2	A1	A	N	E	S				
SAFL211		55	224	184	130	25	18	43	19	61.4	12	M16	SA211FA	FL211	2.82
211-32	2												211-32FA		6.2
211-34	2 1/8		8.8189	7.2441	5.1181	0.9843	0.7087	1.6929	0.748	2.4173	0.4724	5/8	211-34FA		
211-35	2 3/16												211-35FA		
SAFL212		60	250	202	140	29	18	48	23	68.6	13.5	M20	SA212FA	FL212	3.91
212-36	2 1/4												212-36FA		
212-37	2 5/16		9.8425	7.9528	5.5118	1.1417	0.7087	1.8898	0.9055	2.7008	0.5315	3/4	212-37FA		8.6
212-38	2 3/8												212-38FA		
212-39	2 7/16												212-39FA		

Two bolts flange units



(eccentric collar locking)



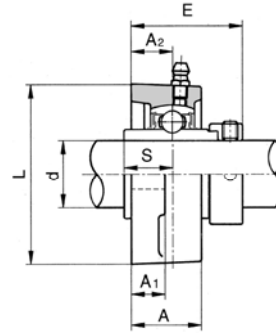
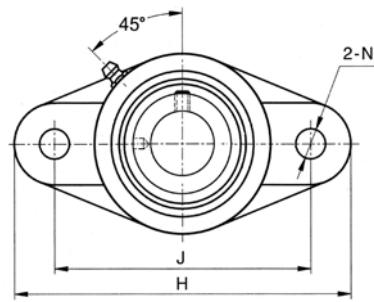
NANFL2

Unit number	Shaft size		Dimensions (mm)									Bolts (mm) (in.)	Bearing number	Housing number	Mass (kg) (lbS)
	d		Dimensions (inch)												
	(in.)	(mm)	H	J	L	A2	A1	A	N	E	S				
NANFL201 201-8	1/2	12	113 4.4488	90 3.5433	61 2.4016	19 0.7480	15 0.5906	29.5 1.1614	11.5 0.4528	45.5 1.7913	17 0.6693	M10 3/8	NA201 201-8	NFL204	0.65 1.4
NANFL202 202-10	5/8	15	113 4.4488	90 3.5433	61 2.4016	19 0.7480	15 0.5906	29.5 1.1614	11.5 0.4528	45.5 1.7913	17 0.6693	M10 3/8	NA202 202-10	NFL204	0.63 1.4
NANFL203 203-11	11/16	17	113 4.4488	90 3.5433	61 2.4016	19 0.7480	15 0.5906	29.5 1.1614	11.5 0.4528	45.5 1.7913	17 0.6693	M10 3/8	NA203 203-11	NFL204	0.62 1.4
NANFL204 204-12	3/4	20	113 4.4488	90 3.5433	61 2.4016	19 0.7480	15 0.5906	29.5 1.1614	11.5 0.4528	45.5 1.7913	17 0.6693	M10 3/8	NA204 204-12	NFL204	0.59 1.3
NANFL205 205-14 205-15 205-16	7/8 15/16 1	25	125 4.9213	99 3.8976	70 2.7559	19 0.7480	15 0.5906	30 1.1811	11.5 0.4528	45.9 1.8071	17.4 0.6850	M10 3/8	NA205 205-14 205-15 205-16	NFL205	.84 1.8
NANFL206 206-17 206-18 206-19 206-20	1 1/16 1 1/8 1 3/16 1 1/4	30	142 5.5906	116.5 4.5866	83 3.2677	20 0.7874	16 0.6299	33 1.2992	11.5 0.4528	50.1 1.9724	18.2 0.7165	M10 3/8	NA206 206-17 206-18 206-19 206-20	NFL206	1.14 2.5
NANFL207 207-20 207-21 207-22 207-23	1 1/4 1 5/16 1 3/8 1 7/16	35	156 6.1417	130 5.1181	96 3.7795	21 0.8268	17 0.6693	36 1.4173	14 0.5512	53.3 2.0984	18.8 0.7402	M12 1/2	NA207 207-20 207-21 207-22 207-23	NFL207	1.41 3.1
NANFL208 208-24 208-25	1 1/2 1 9/16	40	172 6.7717	143.5 5.6496	105 4.1339	24 0.9449	17 0.6693	39 1.5354	14 0.5512	58.9 2.3189	21.4 0.8425	M12 1/2	NA208 208-24 208-25	NFL208	1.83 4
NANFL209 209-26 209-27 209-28	1 5/8 1 11/16 1 3/4	45	180 7.0866	148.5 5.8465	111 4.3701	24 0.9449	18 0.7087	40 1.5748	16 0.6299	58.9 2.3189	21.4 0.8425	M14 9/16	NA209 209-26 209-27 209-28	NFL209	2.14 4.7

Two bolts flange units



(eccentric collar locking)



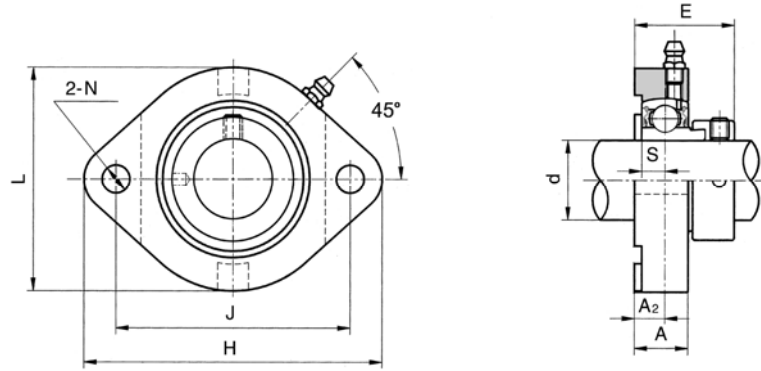
NANFL2

Unit number	Shaft size		Dimensions									Bolts (mm) (in.)	Bearing number	Housing number	Mass (kg) (lbS)
	d		(mm)												
	(in.)	(mm)	H	J	L	A2	A1	A	N	E	S				
NANFL210		50	190	157	116	28	20	46	18	66.1	24.6	M16	NA210	NFL210	2.47
210-30	1 7/8												210-30		
210-31	1 15/16		7.4803	6.1811	4.5669	1.1024	0.7874	1.8110	0.7087	2.6024	0.9685	5/8	210-31		5.4
210-32	2												210-32		
NANFL211		55	217	184	134	31	21	49	18	74.7	27.7	M16	NA211	NFL211	3.54
211-32	2												211-32		
211-34	2 1/8		8.5433	7.2441	5.2756	1.2205	0.8268	1.9291	0.7087	2.9409	1.0906	5/8	211-34		7.8
211-35	2 3/16												211-35		
NANFL212		60	235	202	138	34	21	53	18	80.9	30.9	M16	NA212	NFL212	4.48
212-36	2 1/4												212-36		
212-37	2 5/16		9.2520	7.9528	5.4331	1.3386	0.8268	2.0866	0.7087	3.1850	1.2165	5/8	212-37		9.9
212-38	2 3/8												212-38		
212-39	2 7/16												212-39		

Two bolts flange units



(eccentric collar locking)



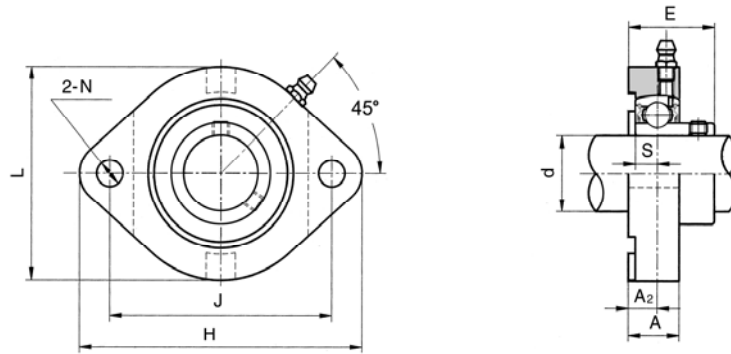
SAFD2

Unit number	Shaft size		Dimensions (mm)								Bolts (mm) (in.)	Bearing number	Housing number	Mass (kg) (lbS)
	d		(inch)											
	(in.)	(mm)	H	J	L	A ₂	A	N	E	S				
SAFD201 201-8	1/2	12	81	63.5	59	7.5	15	7	29.6	6.5	M6	SA201FA	FD203	0.36
		3.1890	2.5000	2.3228	0.2953	0.5906	0.2756	1.1654	0.2559	1/4	201-8FA		0.8	
SAFD202 202-10	5/8	15	81	63.5	59	7.5	15	7	29.6	6.5	M6	SA202FA	FD203	0.35
		3.1890	2.5000	2.3228	0.2953	0.5906	0.2756	1.1654	0.2559	1/4	202-10FA		0.8	
SAFD203 203-11	11/16	17	81	63.5	59	7.5	15	7	29.6	6.5	M6	SA203FA	FD203	0.34
		3.1890	2.5000	2.3228	0.2953	0.5906	0.2756	1.1654	0.2559	1/4	203-11FA		0.7	
SAFD204 204-12	3/4	20	91	71.4	67	9.5	16	9.5	33	7.5	M8	SA204FA	FD204	0.47
		3.5827	2.8110	2.6378	0.3740	0.6299	0.3740	1.2992	0.2953	5/16	204-12FA		1	
SAFD205 205-14 205-15 205-16	7/8	25	95	76.2	71	9.5	17	9.5	33	7.5	M8	SA205A	FD205	0.55
SAFD206 206-17 206-18 206-19 206-20	1 1/16	30	113	90.5	84	9.5	20	11	36.2	9	M10	SA206FA	FD206	0.89
SAFD207 207-20 207-21 207-22 207-23	1 1/4	35	125	100	94	10	22	11	39.4	9.5	M10	SA207FA	FD207	1.03
SAFD208 208-24 208-25	1 1/2	40	148	119	104	12.5	25	13.5	45.2	11	M12	SA208FA	FD208	1.23

Two bolts flange units



(setscrew locking)



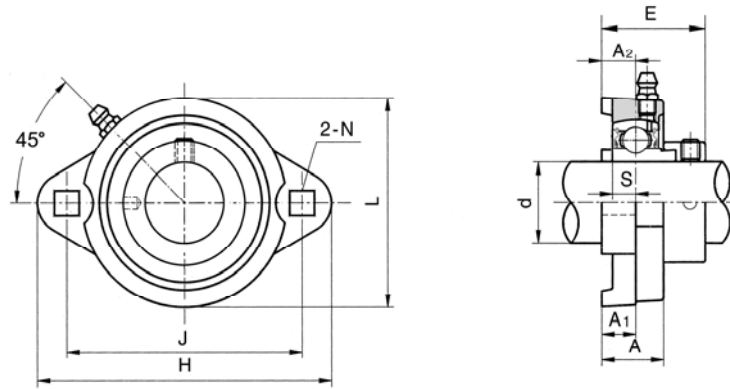
SBFD2

Unit number	Shaft size		Dimensions (mm)								Bolts (mm) (in.)	Bearing number	Housing number	Mass (kg) (lbS)
	d		(inch)											
	(in.)	(mm)	H	J	L	A2	A	N	E	S				
SBFD201 201-8	1/2	12	81 3.1890	63.5 2.5000	59 2.3228	7.5 0.2953	15 0.5906	7 0.2756	23.5 0.9252	6 0.2362	M6 1/4	SB201A 201-8A	FD203	0.32 0.7
SBFD202 202-10	5/8	15	81 3.1890	63.5 2.5000	59 2.3228	7.5 0.2953	15 0.5906	7 0.2756	23.5 0.9252	6 0.2362	M6 1/4	SB202A 202-10A	FD203	0.31 0.7
SBFD203 203-11	11/16	17	81 3.1890	63.5 2.5000	59 2.3228	7.5 0.2953	15 0.5906	7 0.2756	23.5 0.9252	6 0.2362	M6 1/4	SB203A 203-11A	FD203	0.3 0.7
SBFD204 204-12	3/4	20	91 3.5827	71.4 2.8110	67 2.6378	9.5 0.3740	16 0.6299	9.5 0.3740	27.5 1.0827	7 0.2756	M8 5/16	SB204A 204-12A	FD204	0.4 0.9
SBFD205 205-14 205-15 205-16	7/8 15/16 1	25	95 3.7402	76.2 3.0000	71 2.7953	9.5 0.3740	17 0.6693	9.5 0.3740	29 1.1417	7.5 0.2953	M8 5/16	SB205A 205-14A 205-15A 205-16A	FD205	0.52 1.1
SBFD206 206-17 206-18 206-19 206-20	1 1/16 1 1/8 1 3/16 1 1/4	30	113 4.4488	90.5 3.5630	84 3.3071	9.5 0.3740	20 0.7874	11 0.4331	31.5 1.2402	8 0.3150	M10 3/8	SB206A 206-17A 206-18A 206-19A 206-20A	FD206	0.82 1.8
SBFD207 207-20 207-21 207-22 207-23	1 1/4 1 5/16 1 3/8 1 7/16	35	125 4.9213	100 3.9370	94 3.7008	10 0.3937	22 0.8661	11 0.4331	33.5 1.3189	8.5 0.3346	M10 3/8	SB207A 207-20A 207-21A 207-22A 207-23A	FD207	0.91 2
SBFD208 208-24 208-25	1 1/2 1 9/16	40	148 5.8268	119 4.6850	104 4.0945	12.5 0.4921	25 0.9843	13.5 0.5315	37.5 1.4764	9 0.3543	M12 1/2	SB208A 208-24A 208-25A	FD208	1.07 2.4

Two bolts malleable flange units



(eccentric collar locking)



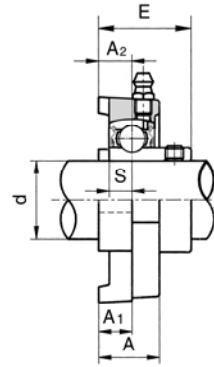
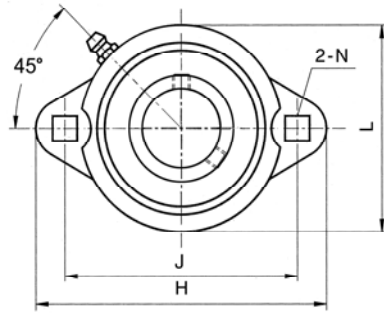
SAPFTD2

Unit number	Shaft size		Dimensions (mm)									Bolts (mm) (in.)	Bearing number	Housing number	Mass (kg) (lbS)
	d		(inch)												
	(in.)	(mm)	H	J	L	A2	A1	A	N	E	S				
SAPFTD201 201-8	1/2	12	81 3.1890	63.5 2.5000	56 2.2047	10 0.3937	10 0.3937	18 0.7087	7.1 0.2795	32.1 1.2638	6.5 0.2559	M6 1/4	SA201FA 201-8FA	PFTD203	0.27 0.6
SAPFTD202 202-10	5/8	15	81 3.1890	63.5 2.5000	56 2.2047	10 0.3937	10 0.3937	18 0.7087	7.1 0.2795	32.1 1.2638	6.5 0.2559	M6 1/4	SA202FA 202-10FA	PFTD203	0.26 0.6
SAPFTD203 203-11	11/16	17	81 3.1890	63.5 2.5000	56 2.2047	10 0.3937	10 0.3937	18 0.7087	7.1 0.2795	32.1 1.2638	6.5 0.2559	M6 1/4	SA203FA 203-11FA	PFTD203	0.25 0.6
SAPFTD204 204-12	3/4	20	90 3.5433	71.5 2.8150	61 2.4016	11 0.4331	11 0.4331	20 0.7874	8.7 0.3425	34.5 1.3583	7.5 0.2953	M8 5/16	SA204FA 204-12FA	PFTD204	0.29 0.6
SAPFTD205 205-14 205-15 205-16	7/8 15/16 1	25	95 3.7402	76 2.9921	64 2.5197	11 0.4331	11 0.4331	20 0.7874	8.7 0.3425	34.5 1.3583	7.5 0.2953	M8 5/16	SA205A 205-14A 205-15A 205-16A	PFTD205	0.4 0.9
SAPFTD206 206-17 206-18 206-19 206-20	1 1/16 1 1/8 1 3/16 1 1/4	30	113 4.4488	90.5 3.5630	76 2.9921	12 0.4724	12 0.4724	23 0.9055	10.3 0.4055	38.7 1.5236	9 0.3543	M10 3/8	SA206FA 206-17FA 206-18FA 206-19FA 206-20FA	PFTD206	0.6 1.3
SAPFTD207 207-20 207-21 207-22 207-23	1 1/4 1 5/16 1 3/8 1 7/16	35	122 4.8031	100 3.9370	89 3.5039	13 0.5118	13 0.5118	24 0.9449	10.3 0.4055	42.4 1.6693	9.5 0.3740	M10 3/8	SA207FA 207-20FA 207-21FA 207-22FA 207-23FA	PFTD207	0.84 1.8

Two bolts malleable flange units



(setscrew locking)



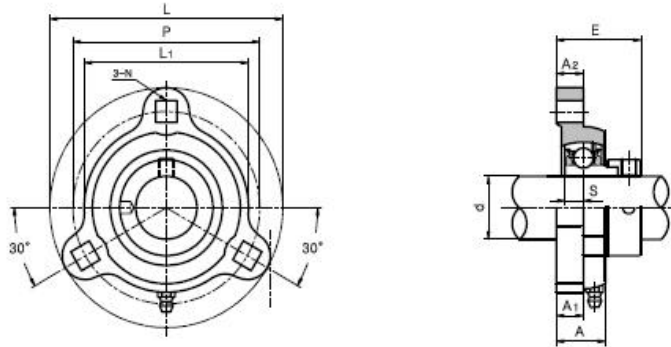
SBPFTD2

Unit number	Shaft size		Dimensions (mm)									Bolts (mm) (in.)	Bearing number	Housing number	Mass (kg) (lbS)
	d		(inch)												
	(in.)	(mm)	H	J	L	A2	A1	A	N	E	S				
SBPFTD201		12	81	63.5	56	10	10	18	7.1	26	6	M6	SB201A	PFTD203	0.23
201-8	1/2		3.1890	2.5000	2.2047	0.3937	0.3937	0.7087	0.2795	1.0236	0.2362	1/4	201-8A		0.5
SBPFTD202		15	81	63.5	56	10	10	18	7.1	26	6	M6	SB202A	PFTD203	0.22
202-10	5/8		3.1890	2.5000	2.2047	0.3937	0.3937	0.7087	0.2795	1.0236	0.2362	1/4	202-10A		0.5
SBPFTD203		17	81	63.5	56	10	10	18	7.1	26	6	M6	SB203A	PFTD203	0.21
203-11	11/16		3.1890	2.5000	2.2047	0.3937	0.3937	0.7087	0.2795	1.0236	0.2362	1/4	203-11A		0.5
SBPFTD204		20	90	71.5	61	11	11	20	8.7	29	7	M8	SB204A	PFTD204	0.25
204-12	3/4		3.5433	2.8150	2.4016	0.4331	0.4331	0.7874	0.3425	1.1417	0.2756	5/16	204-12A		0.6
SBPFTD205		25	95	76	64	11	11	20	8.7	30.5	7.5	M8	SB205A	PFTD205	0.37
205-14	7/8												205-14A		
205-15	15/16		3.7402	2.9921	2.5197	0.4331	0.4331	0.7874	0.3425	1.2008	0.2953	5/16	205-15A		0.8
205-16	1												205-16A		
SBPFTD206		30	113	90.5	76	12	12	23	10.3	34	8	M10	SB206A	PFTD206	0.53
206-17	1 1/16												206-17A		
206-18	1 1/8		4.4488	3.5630	2.9921	0.4724	0.4724	0.9055	0.4055	1.3386	0.3150	3/8	206-18A		1.2
206-19	1 3/16												206-19A		
206-20	1 1/4												206-20A		
SBPFTD207		35	122	100	89	13	13	24	10.3	36.5	8.5	M10	SB207A	PFTD207	0.72
207-20	1 1/4												207-20A		
207-21	1 5/16		4.8031	3.9370	3.5039	0.5118	0.5118	0.9449	0.4055	1.4370	0.3346	3/8	207-21A		1.6
207-22	1 3/8												207-22A		
207-23	1 7/16												207-23A		

Three bolts malleable flange units



(eccentric collar locking)



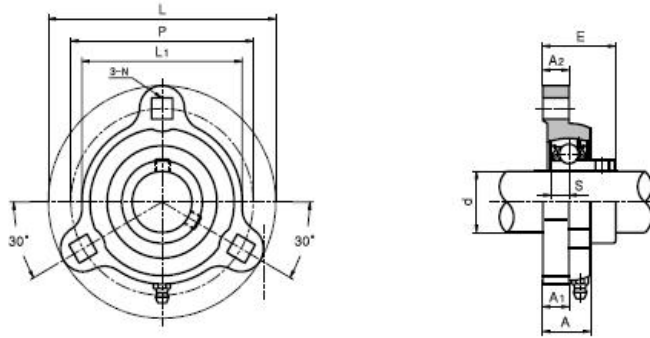
SATRD2

Unit number	Shaft size		Dimensions (mm)									Bolts (mm) (in.)	Bearing number	Housing number	Mass (kg) (lbS)
	d		(inch)												
	(in.)	(mm)	L	P	L1	A2	A1	A	N	E	S				
SATRD204	3/4	20	90	71.5	60	11	11	20	8.7	34.5	7.5	M8	SA204FA	TRD204	0.36
204-12			3.5433	2.8150	2.3622	0.4331	0.4331	0.7874	0.3425	1.3583	0.2953	5/16	204-12FA		0.8
SATRD205	7/8	25	95	76.2	67	11	11	20	8.7	34.5	7.5	M8	SA205A	TRD205	0.42
205-14			3.7402	3.0000	2.6378	0.4331	0.4331	0.7874	0.3425	1.3583	0.2953	5/16	205-14A		0.9
205-15			15/16												
205-16	1												205-16A		
SATRD206	1 1/16	30	113	90.5	79	12	12	23	10.3	38.7	9	M10	SA206FA	TRD206	0.59
206-17			4.4488	3.5630	3.1102	0.4724	0.4724	0.9055	0.4055	1.5236	0.3543	3/8	206-17FA		1.3
206-18			1 1/8										206-18FA		
206-19			1 3/16										206-19FA		
206-20			1 1/4										206-20FA		
SATRD207	1 1/4	35	122	100	89	13	13	24	10.3	42.4	9.5	M10	SA207FA	TRD207	0.84
207-20			4.8031	3.9370	3.5039	0.5118	0.5118	0.9449	0.4055	1.6693	0.3740	3/8	207-20FA		1.9
207-21			1 5/16										207-21FA		
207-22			1 3/8										207-22FA		
207-23	1 7/16											207-23FA			

Three bolts malleable flange units



(setscrew locking)



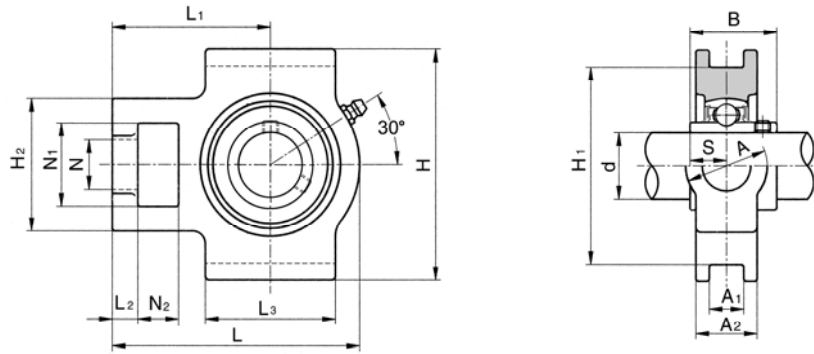
SBTRD2

Unit number	Shaft size		Dimensions (mm)									Bolts (mm) (in.)	Bearing number	Housing number	Mass (kg) (lbS)
	d		(inch)												
	(in.)	(mm)	L	P	L1	A2	A1	A	N	E	S				
SBTRD204		20	90	71.5	60	11	11	20	8.7	29	7	M8	SB204A	TRD204	0.32
204-12	3/4		3.5433	2.8150	2.3622	0.4331	0.4331	0.7874	0.3425	1.1417	0.2756	5/16	204-12A		0.7
SBTRD205		25	95	76.2	67	11	11	20	8.7	30.5	7.5	M8	SB205A	TRD205	0.39
205-14	7/8												205-14A		
205-15	15/16		3.7402	3.0000	2.6378	0.4331	0.4331	0.7874	0.3425	1.2008	0.2953	5/16	205-15A		0.9
205-16	1												205-16A		
SBTRD206		30	113	90.5	79	12	12	23	10.3	34	8	M10	SB206A	TRD206	0.54
206-17	1 1/16												206-17A		
206-18	1 1/8		4.4488	3.5630	3.1102	0.4724	0.4724	0.9055	0.4055	1.3386	0.3150	3/8	206-18A		1.2
206-19	1 3/16												206-19A		
206-20	1 1/4												206-20A		
SBTRD207		35	122	100	89	13	13	24	10.3	36.5	8.5	M10	SB207A	TRD207	0.72
207-20	1 1/4												207-20A		
207-21	1 5/16		4.8031	3.9370	3.5039	0.5118	0.5118	0.9449	0.4055	1.4370	0.3346	3/8	207-21A		1.6
207-22	1 3/8												207-22A		
207-23	1 7/16												207-23A		

Take-up units



(setscrew locking)

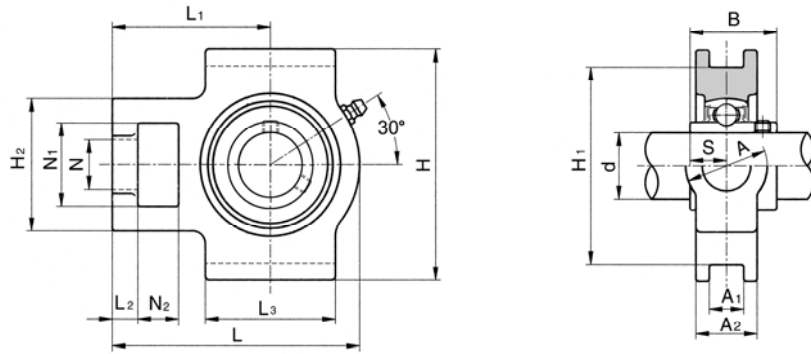


UCT2

Unit number	Shaft size		Dimensions															Bearing number	Housing number	Mass (kg) (lbS)
	d		(mm)																	
	(in.)	(mm)	L	L1	L2	L3	N	N1	N2	H	H1	H2	A	A1	A2	S	B			
UCT201 201-8	1/2	12	94	61	10	51	19	32	16	89	76	51	32	12	21	12.7	31	UC201 201-8	T204	0.79 1.7
UCT202 202-10	5/8	15	94	61	10	51	19	32	16	89	76	51	32	12	21	12.7	31	UC202 202-10	T204	0.78 1.7
UCT203 203-11	11/16	17	94	61	10	51	19	32	16	89	76	51	32	12	21	12.7	31	UC203 203-11	T204	0.77 1.7
UCT204 204-12	3/4	20	94	61	10	51	19	32	16	89	76	51	32	12	21	12.7	31	UC204 204-12	T204	0.76 1.7
UCT205 205-14 205-15 205-16	7/8 15/16 1	25	97	62	10	51	19	32	16	89	76	51	32	12	24	14.3	34.1	UC205 205-14 205-15 205-16	T205	0.9 1.9
UCT206 206-17 206-18 206-19 206-20	1 1/16 1 1/8 1 3/16 1 1/4	30	113	70	10	57	22	37	16	102	89	56	37	12	28	15.9	38.1	UC206 206-17 206-18 206-19 206-20	T206	1.3 2.8
UCT207 207-20 207-21 207-22 207-23	1 1/4 1 5/16 1 3/8 1 7/16	35	129	78	13	64	22	37	16	102	89	64	37	12	30	17.5	42.9	UC207 207-20 207-21 207-22 207-23	T207	1.6 3.6
UCT208 208-24 208-25	1 1/2 1 9/16	40	144	88	16	83	29	49	19	114	102	83	49	16	33	19	49.2	UC208 208-24 208-25	T208	2.3 5
UCT209 209-26 209-27 209-28	1 5/8 1 11/16 1 3/4	45	144	87	16	83	29	49	19	117	102	83	49	16	35	19	49.2	UC209 209-26 209-27 209-28	T209	2.4 5.2



(setscrew locking)

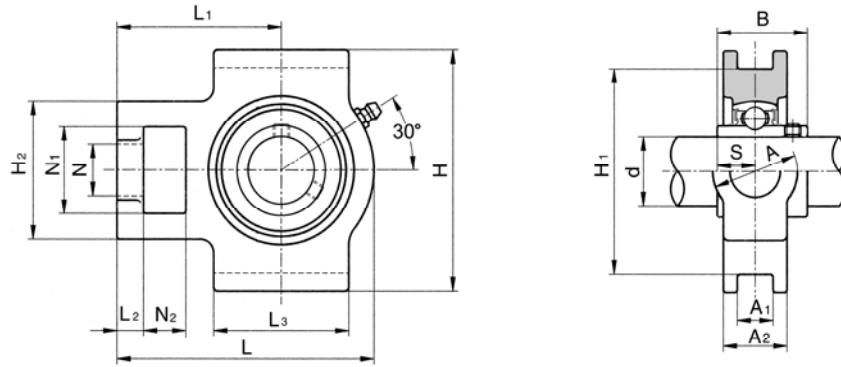


UCT2

Unit number	Shaft size		Dimensions														Bearing number	Housing number	Mass (kg) (lbS)	
	d		(mm)																	
	(in.)	(mm)	L	L1	L2	L3	N	N1	N2	H	H1	H2	A	A1	A2	S				B
UCT210		50	149	90	16	86	29	49	19	117	102	83	49	16	37	19	51.6	UC210	T210	2.5
210-30	1 7/8																	210-30		
210-31	1 15/16		5.8661	3.5433	0.6299	3.3858	1.1417	1.9291	0.7480	4.6063	4.0157	3.2677	1.9291	0.6299	1.4567	0.7480	2.0315	210-31		5.5
210-32	2																	210-32		
UCT211		55	171	106	19	95	35	64	25	146	130	102	64	22	38	22.2	55.6	UC211	T211	3.9
211-32	2																	211-32		
211-34	2 1/8		6.7323	4.1732	0.7480	3.7402	1.3780	2.5197	0.9843	5.7480	5.1181	4.0157	2.5197	0.8661	1.4961	0.8740	2.1890	211-34		8.5
211-35	2 3/16																	211-35		
UCT212		60	194	119	19	102	35	64	32	146	130	102	64	22	42	25.4	65.1	UC212	T212	4.79
212-36	2 1/4																	212-36		
212-37	2 5/16		7.6378	4.6850	0.7480	4.0157	1.3780	2.5197	1.2598	5.7480	5.1181	4.0157	2.5197	0.8661	1.6535	1.0000	2.5630	212-37		10.6
212-38	2 3/8																	212-38		
212-39	2 7/16																	212-39		
UCT213		65	224	137	21	121	41	70	32	167	151	111	70	26	44	25.4	65.1	UC213	T213	7.0
213-40	2 1/2		8.8189	5.3937	0.8268	4.7638	1.6142	2.7559	1.2598	6.5748	5.9449	4.3701	2.7559	1.0236	1.7323	1.0000	2.5630	213-40		15.3
UCT214		70	224	137	21	121	41	70	32	167	151	111	70	26	46	30.2	74.6	UC214	T214	7.1
214-43	2 11/16		8.8189	5.3937	0.8268	4.7638	1.6142	2.7559	1.2598	6.5748	5.9449	4.3701	2.7559	1.0236	1.8110	1.1890	2.9370	214-43		15.5
214-44	2 3/4																	214-44		
UCT215		75	232	140	21	121	41	70	32	167	151	111	70	26	48	33.3	77.8	UC215	T215	7.3
215-46	2 7/8																	215-46		
215-47	2 15/16		9.1339	5.5118	0.8268	4.7638	1.6142	2.7559	1.2598	6.5748	5.9449	4.3701	2.7559	1.0236	1.8898	1.3110	3.0630	215-47		16.1
215-48	3																	215-48		
UCT216		80	235	140	21	121	41	70	32	184	165	111	70	26	51	33.3	82.6	UC216	T216	8.2
			9.2520	5.5118	0.8268	4.7638	1.6142	2.7559	1.2598	7.2441	6.4961	4.3701	2.7559	1.0236	2.0079	1.3110	3.2520			18.0
UCT217		85	260	162	29	157	48	73	38	198	173	124	73	30	54	34.1	85.7	UC217	T217	11.0
217-52	3 1/4		10.2362	6.3780	1.1417	6.1811	1.8898	2.8740	1.4961	7.7953	6.8110	4.8819	2.8740	1.1811	2.1260	1.3425	3.3740	217-52		24.2

Take-up units

(setscrew locking)



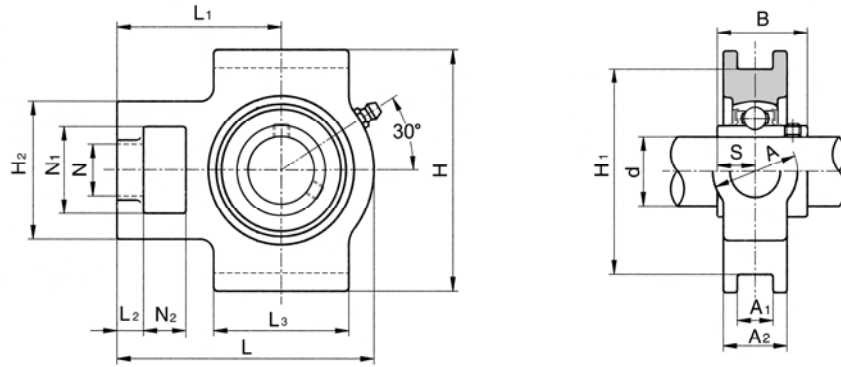
UCTX

Unit number	Shaft size		Dimensions															Bearing number	Housing number	Mass (kg) (lbS)															
	d		(mm)																																
	(in.)	(mm)	L	L1	L2	L3	N	N1	N2	H	H1	H2	A	A1	A2	S	B				(inch)														
UCTX05 X05-16	1	25	113	70	10	57	22	37	16	102	89	56	37	12	28	15.9	38.1	4.449	2.756	0.394	2.244	0.866	1.457	0.63	4.016	3.504	2.205	1.457	0.472	1.102	0.626	1.5	UCTX05 X05-16	TX05	1.34 3
UCTX06 X06-19 X06-20	1 3/16 1 1/4	30	129	78	13	64	22	37	16	102	89	64	37	12	30	17.5	42.9	5.0787	3.0709	0.5118	2.5197	0.8661	1.4567	0.6299	4.0157	3.5039	2.5197	1.4567	0.4724	1.1811	0.6890	1.6890	UCTX06 X06-19 X06-20	TX06	1.74 3.8
UCTX07 X07-22 X07-23	1 3/8 1 7/16	35	144	88	15	83	29	49	19	114	102	83	49	16	36	19	42.9	5.669	3.465	0.591	3.268	1.142	1.929	0.748	4.488	4.016	3.268	1.929	0.63	1.417	0.748	1.689	UCTX07 X07-22 X07-23	TX07	2.53 5.6
UCTX08 X08-24	1 1/2	40	144	87	15	83	29	49	19	117	102	83	49	16	36	19	42.9	5.6693	3.4252	0.5906	3.2677	1.1417	1.9291	0.7480	4.6063	4.0157	3.2677	1.9291	0.6299	1.4173	0.7480	1.6890	UCTX08 X08-24	TX08	2.53 5.6
UCTX09 X09-27 X09-28	1 11/16 1 3/4	45	149	90	16	86	29	49	19	117	102	83	49	16	38	19	51.6	5.866	3.543	0.63	3.386	1.142	1.929	0.748	4.606	4.016	3.268	1.929	0.63	1.496	0.748	2.031	UCTX09 X09-27 X09-28	TX09	2.64 5.8
UCTX10 X10-31 X10-32	1 15/16 2	50	171	106	19	95	35	64	25	146	130	102	64	22	42	22.2	55.6	6.7323	4.1732	0.7480	3.7402	1.3780	2.5197	0.9843	5.7480	5.1181	4.0157	2.5197	0.8661	1.6535	0.8740	2.1890	UCTX10 X10-31 X10-32	TX10	4.18 9.2
UCTX11 X11-35 X11-36	2 3/16 2 1/4	55	194	119	19	102	35	64	32	146	130	102	64	22	42	25.4	65.1	7.638	4.685	0.748	4.016	1.378	2.52	1.26	5.748	5.118	4.016	2.52	0.866	1.654	1	2.563	UCTX11 X11-35 X11-36	TX11	5.06 11.1
UCTX12 X12-38 X12-39	2 3/8 2 7/16	60	224	137	21	121	41	70	32	167	151	111	70	26	48	25.4	65.1	8.8189	5.3937	0.8268	4.7638	1.6142	2.7559	1.2598	6.5748	5.9449	4.3701	2.7559	1.0236	1.8898	1.0000	2.5630	UCTX12 X12-38 X12-39	TX12	7.35 16.2
UCTX13 X13-40	2 1/2	65	224	137	21	121	41	70	32	167	151	111	70	26	48	30.2	74.6	8.819	5.394	0.827	4.764	1.614	2.756	1.26	6.575	5.945	4.37	2.756	1.024	1.89	1.189	2.937	UCTX13 X13-40	TX13	7.62 16.8
UCTX14 X14-44	2 3/4	70	232	140	21	121	41	70	32	167	151	111	70	26	48	33.3	77.8	9.1339	5.5118	0.8268	4.7638	1.6142	2.7559	1.2598	6.5748	5.9449	4.3701	2.7559	1.0236	1.8898	1.3110	3.0630	UCTX14 X14-44	TX14	7.84 17.3
UCTX15 X15-48	3	75	235	140	21	121	41	70	32	184	165	111	70	26	48	33.3	82.6	9.252	5.512	0.827	4.764	1.614	2.756	1.26	7.244	6.496	4.37	2.756	1.024	1.89	1.311	3.252	UCTX15 X15-48	TX15	8.66 19.1

Take-up units



(setscrew locking)

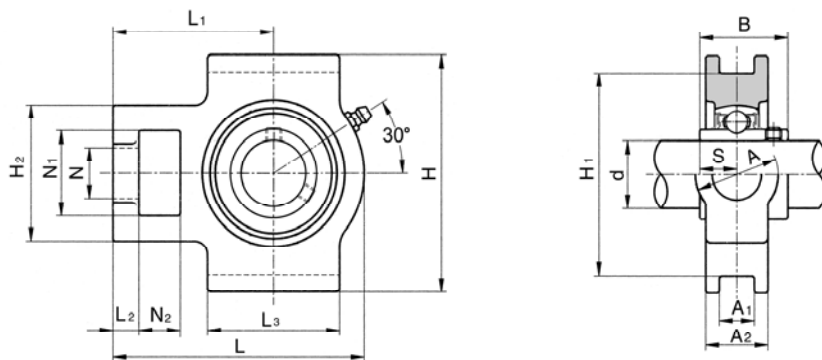


UCTX

Unit number	Shaft size		Dimensions															Bearing number	Housing number	Mass (kg) (lbS)
	d		(mm)																	
	(in.)	(mm)	L	L1	L2	L3	N	N1	N2	H	H1	H2	A	A1	A2	S	B			
UCTX16		80	260	162	28	157	48	73	38	198	173	124	73	28	54	34.1	85.7	UCTX16	TX16	11.54
			10.2362	6.3780	1.1024	6.1811	1.8898	2.8740	1.4961	7.7953	6.8110	4.8819	2.8740	1.1024	2.1260	1.3425	3.3740			25.4
UCTX17		85	260	162	28	157	48	73	38	198	173	124	73	28	54	39.7	96	UCTX17	TX17	12.1
X17-52	3 1/4		10.2362	6.3780	1.1024	6.1811	1.8898	2.8740	1.4961	7.7953	6.8110	4.8819	2.8740	1.1024	2.1260	1.5630	3.7795	X17-52		26.6



(setscrew locking)



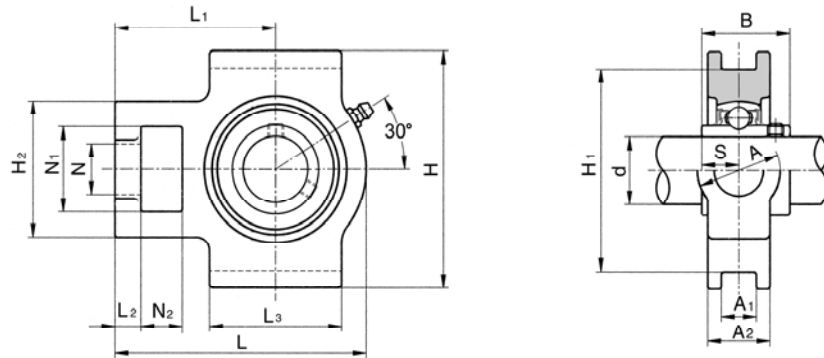
UCT3

Unit number	Shaft size		Dimensions															Bearing number	Housing number	Mass (kg) (lbS)
	d		(mm)																	
	(in.)	(mm)	L	L1	L2	L3	N	N1	N2	H	H1	H2	A	A1	A2	S	B			
UCT305		25	122	76	12	65	26	36	16	89	80	62	36	12	26	15	38	UCT305	T305	1.50
305-14	7/8																	305-14		
305-15	15/16		4.8031	2.9921	0.4724	2.5590	1.0236	1.4173	0.6299	3.5039	3.1496	2.4409	1.1730	0.4724	1.0236	0.5906	1.4961	305-15		3.30
305-16	1																	305-16		
UCT306		30	137	85	14	74	28	41	18	100	90	70	41	16	28	17	43	UCT306	T306	1.80
306-17	1 1/16																	306-17		
306-18	1 1/8		5.3937	3.3464	0.5512	2.9134	1.1024	1.6142	0.7087	3.9370	3.5433	2.7559	1.6142	0.6299	1.1024	0.6693	1.6929	306-18		4.00
306-19	1 3/16																	306-19		
306-20	1 1/4																	306-20		
UCT307		35	150	94	15	80	30	45	20	111	100	75	45	16	32	19	48	UCT307	T307	2.40
307-20	1 1/4																	307-20		
307-21	1 5/16		5.9055	3.7008	0.5906	3.1496	1.1811	1.7716	0.7874	4.3701	3.9370	2.9528	1.7716	0.6299	1.2598	0.7480	1.8898	307-21		5.30
307-22	1 3/8																	307-22		
307-23	1 7/16																	307-23		
UCT308		40	162	100	17	89	32	50	22	124	112	83	50	18	34	19	52	UCT308	T308	3.04
308-24	1 1/2		6.3780	3.9370	0.6693	3.5039	1.2598	1.9685	0.8661	4.8819	4.4094	3.2677	1.9685	0.7087	1.3386	0.7480	2.0472	308-24		6.70
308-25	1 9/16																	308-25		
UCT309		45	178	110	18	97	34	55	24	138	125	90	55	18	38	22	57	UCT309	T309	4.00
309-26	1 5/8																	309-26		
309-27	1 11/16		7.0079	4.3307	0.7087	3.8189	1.3386	2.1654	0.9449	5.4331	4.9213	3.5433	2.1654	0.7087	1.4961	0.8661	2.2441	309-27		8.80
309-28	1 3/4																	309-28		
UCT310		50	191	117	20	106	37	61	27	151	140	98	61	20	40	22	61	UCT310	T310	5.04
310-30	1 7/8																	310-30		11.10
310-31	1 15/16		7.5197	4.6063	0.7874	4.1732	1.4567	2.4016	1.0630	5.9449	5.5118	3.8583	2.4016	0.7874	1.5748	0.8661	2.4016	310-31		
310-32	2																	310-32		
UCT311		55	207	127	21	115	39	66	29	163	150	105	66	22	44	25	66	UCT311	T311	6.23
311-32	2																	311-32		
311-34	2 1/8		8.1496	5.0000	0.8268	4.5276	1.5354	2.5984	1.1417	6.4173	5.9055	4.1339	2.5984	0.8661	1.7323	0.9843	2.5984	311-34		13.70
311-35	2 3/16																	311-35		
UCT312		60	22	135	23	123	41	71	31	178	160	113	71	22	46	26	71	UCT312	T312	7.60
312-36	2 1/4																	312-36		
312-37	2 5/16		0.8661	5.3150	0.9055	4.8425	1.6142	2.7953	1.2205	7.0079	6.2992	4.4488	2.7953	0.8661	1.8110	1.0236	2.7953	312-37		16.70
312-38	2 3/8																	312-38		
312-39	2 7/16																	312-39		

Take-up units



(setscrew locking)



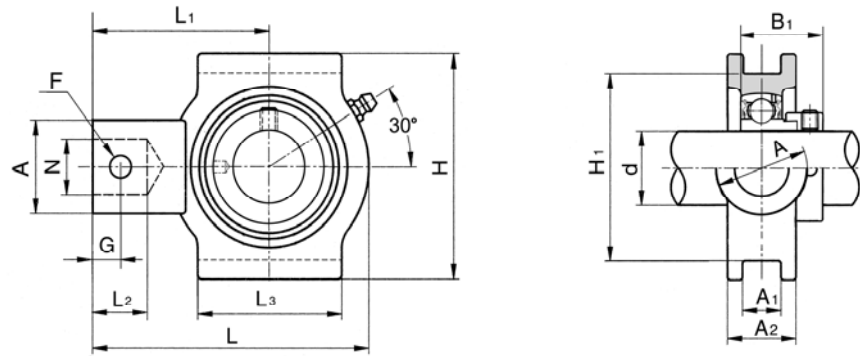
UCT3

Unit number	Shaft size		Dimensions (mm)															Bearing number	Housing number	Mass (kg) (lbS)
	d		Dimensions (inch)																	
	(in.)	(mm)	L	L1	L2	L3	N	N1	N2	H	H1	H2	A	A1	A2	S	B			
UCT313		65	238	146	25	134	43	70	32	190	170	116	80	26	50	30	75	UC313	T313	9.30
313-40	2 1/2		9.3701	5.7480	0.9843	5.2756	1.6929	2.7559	1.2598	7.4803	6.6929	4.5669	3.1496	1.0236	1.9685	1.1811	2.9528	313-40		20.46
313-41	2 9/16																	313-41		
UCT314		70	252	155	25	140	46	85	36	202	180	130	90	26	52	33	78	UC314	T314	11.10
314-42	2 5/8		9.9213	6.1024	0.9843	5.5118	1.8110	3.3465	1.4173	7.9528	7.0866	5.1181	3.5433	1.0236	2.0472	1.2992	3.0709	314-42		24.42
314-43	2 11/16																	314-43		
314-44	2 3/4																	314-44		
UCT315		75	262	160	25	150	46	85	36	216	192	132	90	26	55	32	82	UC315	T315	13.00
315-45	2 13/16		10.3150	6.2992	0.9843	5.9055	1.8110	3.3465	1.4173	8.5039	7.5591	5.1969	3.5433	1.0236	2.1654	1.2598	3.2283	315-45		28.60
315-46	2 7/8																	315-46		
315-47	2 15/16																	315-47		
315-48	3																	315-48		
UCT316		80	282	174	28	160	53	98	42	230	204	150	102	30	60	34	86	UC316	T316	16.20
316-49	3 1/16		11.1024	6.8504	1.1024	6.2992	2.0866	3.8583	1.6535	9.0551	8.0315	5.9055	4.0157	1.1811	2.3622	1.3386	3.3858	316-49		35.64
316-50	3 1/8																	316-50		
316-51	3 3/16																	316-51		
UCT317		85	298	183	30	170	53	98	42	240	214	152	102	32	64	40	96	UC317	T317	19.00
317-52	3 1/4		11.7323	7.2047	1.1811	6.6929	2.0866	3.8583	1.6535	9.4488	8.4252	5.9843	4.0157	1.2598	2.5197	1.5748	3.7795	317-52		41.80
317-53	3 5/16																	317-53		
317-54	3 7/16																	317-54		
UCT318		90	312	192	30	175	57	106	46	255	228	160	110	32	66	40	96	UC318	T318	21.60
318-55	3 7/16		12.2835	7.5591	1.1811	6.8898	2.2441	4.1732	1.8110	10.0394	8.9764	6.2992	4.3307	1.2598	2.5984	1.5748	3.7795	318-55		47.52
318-56	3 1/2																	318-56		
UCT319		95	322	197	31	180	57	106	46	270	240	165	110	35	72	41	103	UC319	T319	24.90
319-58	3 5/8		12.6772	7.7559	1.2205	7.0866	2.2441	4.1732	1.8110	10.6299	9.4488	6.4961	4.3307	1.3780	2.8346	1.6142	4.0551	319-58		54.78
319-59	3 11/16																	319-59		
319-60	3 3/4																	319-60		
UCT320		100	345	210	32	200	59	115	48	290	260	175	120	35	75	42	108	UC320	T320	30.70
320-61	3 13/16		13.5827	8.2677	1.2598	7.8740	2.3228	4.5276	1.8898	11.4173	10.2362	6.8898	4.7244	1.3780	2.9528	1.6535	4.2520	320-61		67.54
320-62	3 7/8																	320-62		
320-63	3 15/16																	320-63		
320-64	4																	320-64		



Take-up units

(eccentric collar locking)

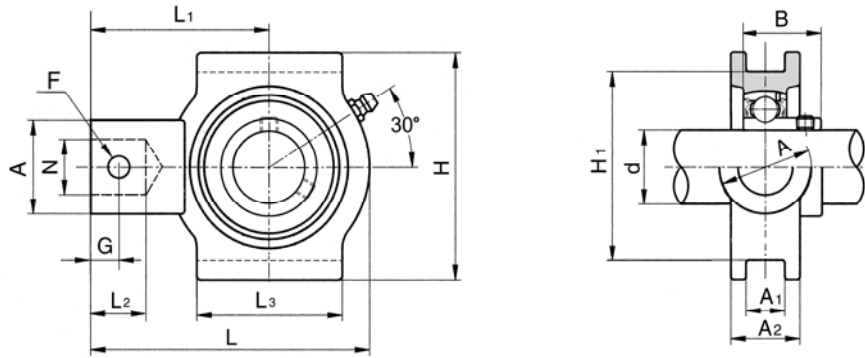


SATRS2

Unit number	Shaft size		Dimensions (mm)													Bearing number	Housing number	Mass (kg) (lbS)
	d		(inch)															
	(in.)	(mm)	L	L1	L2	L3	H	H1	A	A1	A2	G	F	N	B1			
SATRS204	3/4	20	88.9	55.6	22.2	38.1	79.4	66.7	34.9	6.4	22.0	11.1	7.9	19.1	31.0	SA204FG	TRS204	0.66
204-12		3.5000	2.1890	0.8740	1.5000	3.1260	2.6260	1.3740	0.2520	0.8661	0.4370	0.3110	0.7520	1.2205	204-12FG	1.5		
SATRS205	7/8	25	90.5	55.6	22.2	38.1	79.4	66.7	34.9	6.4	22	11.1	7.9	19.1	31.1	SA205G	TRS205	0.71
205-14		3.5630	2.1890	0.8740	1.5000	3.1260	2.6260	1.3740	0.2520	0.8661	0.4370	0.3110	0.7520	1.2244	205-14G	205-15G 205-16G	1.6	
205-15		15/16																
205-16		1																
SATRS206	1 1/16	30	109.5	68.3	23.8	63.5	104.8	88.9	34.9	6.4	25	12.7	7.9	19.1	35.7	SA206FG	TRS206	1.23
206-17		4.3110	2.6890	0.9370	2.5000	4.1260	3.5000	1.3740	0.2520	0.9843	0.5000	0.3110	0.7520	1.4055	206-17FG	206-18FG 206-19FG 206-20FG	2.7	
206-18		1 1/8																
206-19		1 3/16																
206-20		1 1/4																
SATRS207	1 1/4	35	114.3	68.3	23.8	63.5	104.8	88.9	34.9	6.4	26	12.7	7.9	22.2	38.9	SA207FG	TRS207	1.31
207-20		4.5000	2.6890	0.9370	2.5000	4.1260	3.5000	1.3740	0.2520	1.0236	0.5000	0.3110	0.8740	1.5315	207-20FG	207-21FG 207-22FG 207-23FG	2.9	
207-21		1 5/16																
207-22		1 3/8																
207-23		1 7/16																
SATRS208	1 1/2	40	136.5	82.6	29.4	76.2	120.7	101.6	41.3	7.9	30	16.7	9.5	22.2	43.7	SA208FG	TRS208	2.25
208-24		5.3740	3.2520	1.1575	3.0000	4.7520	4.0000	1.6260	0.3110	1.1811	0.6575	0.3740	0.8740	1.7205	208-24FG	208-25FG	5	
208-25		1 9/16																
SATRS209	1 5/8	45	138.1	82.6	29.4	76.2	120.7	101.6	41.3	7.9	30	16.7	9.5	22.2	43.7	SA209FG	TRS209	2.28
209-26		5.4370	3.2520	1.1575	3.0000	4.7520	4.0000	1.6260	0.3110	1.1811	0.6575	0.3740	0.8740	1.7205	209-26FG	209-27FG 209-28FG	5	
209-27		1 11/16																
209-28		1 3/4																
SATRS210	1 7/8	50	139.7	82.6	29.4	76.2	120.7	101.6	41.3	7.9	30	16.7	9.5	22.2	43.7	SA210FG	TRS210	2.36
210-30		5.5000	3.2520	1.1575	3.0000	4.7520	4.0000	1.6260	0.3110	1.1811	0.6575	0.3740	0.8740	1.7205	210-30FG	210-31FG 210-32FG	5.2	
210-31		1 15/16																
210-32		2																



(setscrew locking)



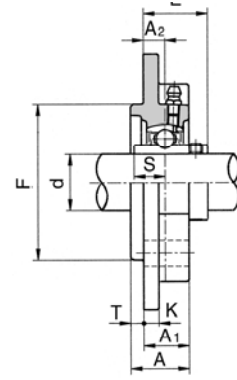
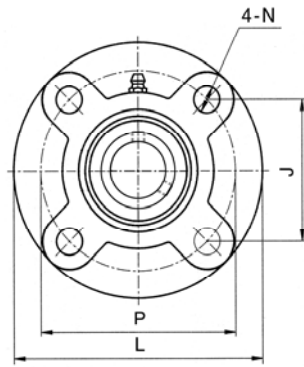
SBTRS2

Unit number	Shaft size		Dimensions (mm)													Bearing number	Housing number	Mass (kg) (lbS)		
	d		Dimensions (inch)																	
	(in.)	(mm)	L	L1	L2	L3	H	H1	A	A1	A2	G	F	N	B1					
SBTRS204	20	88.9	55.6	22.2	38.1	79.4	66.7	34.9	6.4	22	11.1	7.9	19.1	29.2	SB204H	TRS204	0.63			
204-12		3/4	3.5000	2.1890	0.8740	1.5000	3.1260	2.6260	1.3740	0.2520	0.8661	0.4370	0.3110	0.7520				1.1496	204-12H	1.4
SBTRS205	25	90.5	55.6	22.2	38.1	79.4	66.7	34.9	6.4	22	11.1	7.9	19.1	30.1	SB205H	TRS205	0.68			
205-14		7/8	3.5630	2.1890	0.8740	1.5000	3.1260	2.6260	1.3740	0.2520	0.8661	0.4370	0.3110	0.7520				1.1850	205-14H	1.5
205-15		15/16																	205-15H	
205-16		1																	205-16H	
SBTRS206	30	109.5													68.3	23.8	63.5		104.8	
206-17		1 1/16	4.3110	2.6890	0.9370	2.5000	4.1260	3.5000	1.3740	0.2520	0.9843	0.5000	0.3110	0.7520	1.3898	206-17H	2.6			
206-18		1 1/8														206-18H				
206-19		1 3/16														206-19H				
206-20		1 1/4														206-20H				
SBTRS207	35	114.3														68.3		23.8	63.5	104.8
207-20		1 1/4	4.5000	2.6890	0.9370	2.5000	4.1260	3.5000	1.3740	0.2520	1.0236	0.5000	0.3110	0.7520	1.5354	207-20H	2.7			
207-21		1 5/16														207-21H				
207-22		1 3/8														207-22H				
207-23		1 7/16														207-23H				
SBTRS208	40	136.5														82.6		29.4	76.2	120.7
208-24		1 1/2	5.3740	3.2520	1.1575	3.0000	4.7520	4.0000	1.6260	0.3110	1.1811	0.6575	0.3740	0.8740	1.6811	208-24H	4.7			
208-25		1 9/16														208-25H				
SBTRS209	45	138.1														82.6		29.4	76.2	120.7
209-26		1 5/8	5.4370	3.2520	1.1575	3.0000	4.7520	4.0000	1.6260	0.3110	1.1811	0.6575	0.3740	0.8740	1.7126	209-26H	4.8			
209-27		1 11/16														209-27H				
209-28		1 3/4														209-28H				
SBTRS210	50	139.7														82.6		29.4	76.2	120.7
210-30		1 7/8	5.5000	3.2520	1.1575	3.0000	4.7520	4.0000	1.6260	0.3110	1.1811	0.6575	0.3740	0.8740	1.7441	210-30H	4.9			
210-31		1 15/16														210-31H				
210-32		2														210-32H				



Four bolts flange cartridge units

(setscrew locking)



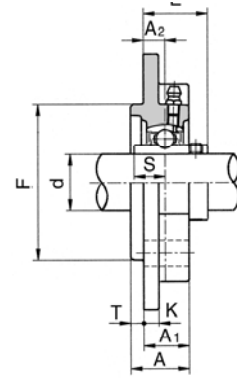
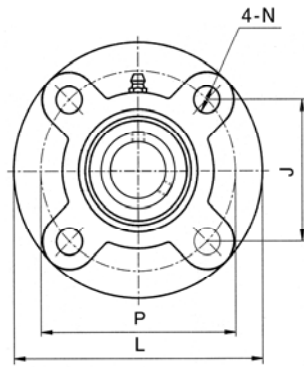
UCFC2

Unit number	Shaft size		Dimensions (mm)												Bolts (mm) (in)	Bearing number	Housing number	Mass (kg) (lbS)			
	d		(inch)																		
	(in.)	(mm)	L	P	J	A2	A1	A	T	K	F	N	E	S							
UCFC201	1/2	12	100	78	55.1	10	20.5	25.5	5	7	62	12	28.3	12.7	M10	UC201	FC204	0.78			
201-8			3.9370	3.0709	2.1693	0.3937	0.8071	1.0039	0.1969	0.2756	2.4409	0.4724	1.1142	0.5000	3/8			201-8	1.7		
UCFC202	5/8	15	100	78	55.1	10	20.5	25.5	5	7	62	12	28.3	12.7	M10	UC202	FC204	0.76			
202-10			3.9370	3.0709	2.1693	0.3937	0.8071	1.0039	0.1969	0.2756	2.4409	0.4724	1.1142	0.5000	3/8			202-10	1.7		
UCFC203	11/16	17	100	78	55.1	10	20.5	25.5	5	7	62	12	28.3	12.7	M10	UC203	FC204	0.75			
203-11			3.9370	3.0709	2.1693	0.3937	0.8071	1.0039	0.1969	0.2756	2.4409	0.4724	1.1142	0.5000	3/8			203-11	1.7		
UCFC204	3/4	20	100	78	55.1	10	20.5	25.5	5	7	62	12	28.3	12.7	M10	UC204	FC204	0.74			
204-12			3.9370	3.0709	2.1693	0.3937	0.8071	1.0039	0.1969	0.2756	2.4409	0.4724	1.1142	0.5000	3/8			204-12	1.6		
UCFC205	7/8	25	115	90	63.6	10	21	27	6	7	70	12	29.8	14.3	M10	UC205	FC205	0.95			
205-14			4.5276	3.5433	2.5039	0.3937	0.8268	1.0630	0.2362	0.2756	2.7559	0.4724	1.1732	0.5630	3/8			205-14	2.1		
205-15			15/16	205-15	205-16	1															
UCFC206	1 1/16	30	125	100	70.7	10	23	31	8	8	80	12	32.2	15.9	M10	UC206	FC206	1.25			
206-17			4.9213	3.9370	2.7835	0.3937	0.9055	1.2205	0.3150	0.3150	3.1496	0.4724	1.2677	0.6260	3/8			206-17	2.8		
206-18			1 1/8	206-18	206-19	1 3/16															
206-19			1 3/16	206-19	206-20	1 1/4															
UCFC207	1 1/4	35	135	110	77.8	11	26	34	8	9	90	14	36.4	17.5	M12	UC207	FC207	1.67			
207-20			5.3150	4.3307	3.0630	0.4331	1.0236	1.3386	0.3150	0.3543	3.5433	0.5512	1.4331	0.6890	1/2			207-20	3.7		
207-21			1 5/16	207-21	207-22	1 3/8															
207-22			1 3/8	207-22	207-23	1 7/16															
UCFC208	1 1/2	40	145	120	84.8	11	26	36	10	9	100	14	41.2	19	M12	UC208	FC208	2.05			
208-24			5.7087	4.7244	3.3386	0.4331	1.0236	1.4173	0.3937	0.3543	3.9370	0.5512	1.6220	0.7480	1/2			208-24	4.5		
208-25	1 9/16	208-25																			
UCFC209	1 5/8	45	160	132	93.3	10	26	38	12	14	105	16	40.2	19	M14	UC209	FC209	2.63			
209-26			6.2992	5.1969	3.6732	0.3937	1.0236	1.4961	0.4724	0.5512	4.1339	0.6299	1.5827	0.7480	9/16			209-26	5.8		
209-27			1 11/16	209-27	209-28	1 3/4															



Four bolts flange cartridge units

(setscrew locking)

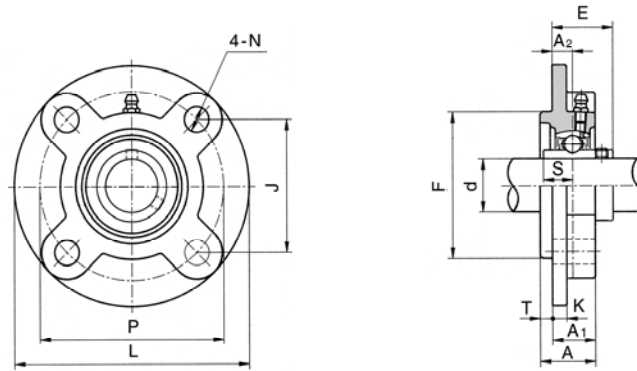


UCFC2

Unit number	Shaft size		Dimensions (mm)												Bolts (mm) (in)	Bearing number	Housing number	Mass (kg) (lbS)
	d		(inch)															
	(in.)	(mm)	L	P	J	A ₂	A ₁	A	T	K	F	N	E	S				
UCFC210		50	165	138	97.6	10	28	40	12	14	110	16	42.6	19	M14	UC210	FC210	2.93
210-30	1 7/8															210-30		
210-31	1 15/16		6.4961	5.4331	3.8425	0.3937	1.1024	1.5748	0.4724	0.5512	4.3307	0.6299	1.6772	0.7480	9/16	210-31		6.4
210-32	2															210-32		
UCFC211		55	185	150	106.1	13	31	43	12	15	125	19	46.4	22.2	M16	UC211	FC211	4.17
211-32	2															211-32		
211-34	2 1/8		7.2835	5.9055	4.1772	0.5118	1.2205	1.6929	0.4724	0.5906	4.9213	0.7480	1.8268	0.8740	5/8	211-34		9.2
211-35	2 3/16															211-35		
UCFC212		60	195	160	113.1	17	36	48	12	15	135	19	56.7	25.4	M16	UC212	FC212	5.1
212-36	2 1/4															212-36		
212-37	2 5/16		7.6772	6.2992	4.4528	0.6693	1.4173	1.8898	0.4724	0.5906	5.3150	0.7480	2.2323	1.0000	5/8	212-37		11.2
212-38	2 3/8															212-38		
212-39	2 7/16															212-39		
UCFC213		65	205	170	120.2	16	36	50	14	15	145	19	55.7	25.4	M16	UC213	FC213	5.6
213-40	2 1/2		8.0709	6.6929	4.7323	0.6299	1.4173	1.9685	0.5512	0.5906	5.7087	0.7480	2.1929	1.0000	5/8	213-40		12.3
UCFC214		70	215	177	125.1	17	40	54	14	18	150	19	61.4	30.2	M16	UC214	FC214	6.85
214-43	2 11/16		8.4646	6.9685	4.9252	0.6693	1.5748	2.1260	0.5512	0.7087	5.9055	0.7480	2.4173	1.1890	5/8	214-43		16.1
214-44	2 3/4															214-44		
UCFC215		75	220	184	130.1	18	40	56	16	18	160	19	62.5	33.3	M16	UC215	FC215	7.41
215-46	2 7/8															215-46		
215-47	2 15/16		8.6614	7.2441	5.1220	0.7087	1.5748	2.2047	0.6299	0.7087	6.2992	0.7480	2.4606	1.3110	5/8	215-47		16.3
215-48	3															215-48		
UCFC216		80	240	200	141.4	18	42	58	16	18	170	23	67.3	33.3	M20	UC216	FC216	9.09
			9.4488	7.8740	5.5669	0.7087	1.6535	2.2835	0.6299	0.7087	6.6929	0.9055	2.6496	1.3110	3/4			20
UCFC217		85	250	208	147.1	18	45	63	18	20	180	23	69.6	34.1	M20	UC217	FC217	10.75
217-52	3 1/4		9.8425	8.1890	5.7913	0.7087	1.7717	2.4803	0.7087	0.7874	7.0866	0.9055	2.7402	1.3425	3/4	217-52		23.7
UCFC218		90	265	220	155.5	22	50	68	18	20	190	23	78.3	39.7	M20	UC218	FC218	13.05
218-56	3 1/2		10.4331	8.6614	6.1220	0.8661	1.9685	2.6772	0.7087	0.7874	7.4803	0.9055	3.0827	1.5630	3/4	218-56		28.7

Four bolts flange cartridge units

(setscrew locking)



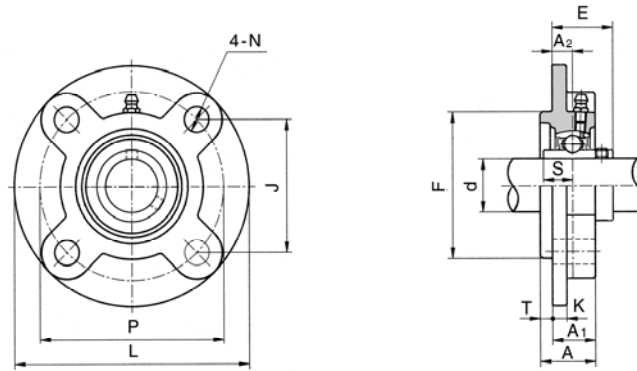
UCFCX

Unit number	Shaft size		Dimensions (mm)												Bolts (mm) (in)	Bearing number	Housing number	Mass (kg) (lbS)
	d		(inch)															
	(in.)	(mm)	L	P	J	A ₂	A ₁	A	T	K	F	N	E	S				
UCFCX05 X05-16	1	25	111 4.3701	92 3.6220	65 2.5591	10 0.3937	24 0.9449	30 1.1811	6 0.2362	9.5 0.3740	76 2.9921	9.5 0.3740	32.2 1.2677	15.9 0.6260	M8 5/16	UCX05 X05-16	FCX05	1.07 2.4
UCFCX06 X06-19 X06-20	1 3/16 1 1/4	30	127 5.0000	105 4.1339	74.2 2.9213	8 0.3150	22.5 0.8858	32 1.2598	9.5 0.3740	9.5 0.3740	85 3.3465	12 0.4724	33.4 1.3150	17.5 0.6890	M10 3/8	UCX06 X06-19 X06-20	FCX06	1.5 3.3
UCFCX07 X07-22 X07-23	1 3/8 1 7/16	35	133 5.2362	111 4.3701	78.5 3.0906	9 0.3543	26 1.0236	37 1.4567	11 0.4331	11 0.4331	92 3.6220	12 0.4724	39.2 1.5433	19 0.7480	M10 3/8	UCX07 X07-22 X07-23	FCX07	1.93 4.3
UCFCX08 X08-24	1 1/2	40	133 5.2362	111 4.3701	78.5 3.0906	9 0.3543	26 1.0236	37 1.4567	11 0.4331	11 0.4331	92 3.6220	12 0.4724	39.2 1.5433	19 0.7480	M12 7/16	UCX08 X08-24	FCX08	1.8 4
UCFCX09 X09-27 X09-28	1 11/16 1 3/4	45	155 6.1024	130 5.1181	91.9 3.6181	8 0.3150	25 0.9843	37 1.4567	12 0.4724	11 0.4331	108 4.2520	14 0.5512	40.6 1.5984	19 0.7480	M12 7/16	UCX09 X09-27 X09-28	FCX09	2.65 5.8
UCFCX10 X10-31 X10-32	1 15/16 2	50	162 6.3780	136 5.3543	96.2 3.7874	7 0.2756	25 0.9843	41 1.6142	16 0.6299	11 0.4331	118 4.6457	14 0.5512	40.4 1.5906	22.2 0.8740	M12 7/16	UCX10 X10-31 X10-32	FCX10	3.14 6.9
UCFCX11 X11-35 X11-36	2 3/16 2 1/4	55	180 7.0866	152 5.9843	107.5 4.2323	4 0.1575	26 1.0236	48 1.8898	22 0.8661	13 0.5118	127 5.0000	16 0.6299	43.7 1.7205	25.4 1.0000	M14 1/2	UCX11 X11-35 X11-36	FCX11	4.3 9.5
UCFCX12 X12-38 X12-39	2 3/8 2 7/16	60	194 7.6378	165 6.4961	116.7 4.5945	11 0.4331	33 1.2992	53 2.0866	20 0.7874	14 0.5512	140 5.5118	16 0.6299	50.7 1.9961	25.4 1.0000	M14 1/2	UCX12 X12-38 X12-39	FCX12	5.68 12.5
UCFCX13 X13-40	2 1/2	65	194 7.6378	165 6.4961	116.7 4.5945	11 0.4331	33 1.2992	53 2.0866	20 0.7874	14 0.5512	140 5.5118	16 0.6299	55.4 2.1811	30.2 1.1890	M14 1/2	UCX13 X13-40	FCX13	5.77 12.7
UCFCX14 X14-44	2 3/4	70	222 8.7402	190 7.4803	134.3 5.2874	14 0.5512	36 1.4173	56 2.2047	20 0.7874	14 0.5512	164 6.4567	19 0.7480	58.5 2.3031	33.3 1.3110	M16 5/8	UCX14 X14-44	FCX14	7.58 16.7



Four bolts flange cartridge units

(setscrew locking)

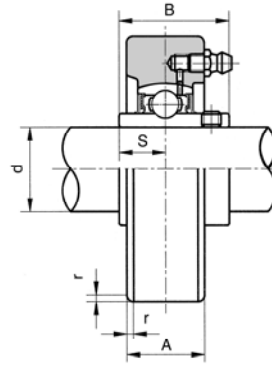
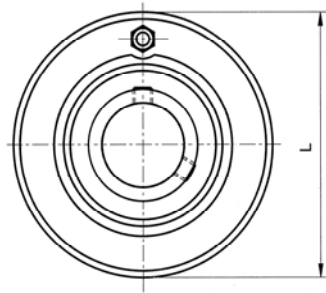


UCFCX

Unit number	Shaft size		Dimensions (mm)												Bolts (mm) (in)	Bearing number	Housing number	Mass (kg) (lbS)
	d		(inch)															
	(in.)	(mm)	L	P	J	A2	A1	A	T	K	F	N	E	S				
UCFCX15 X15-48	3	75	222	190	134.3	12	35	57	22	16	164	19	61.3	33.3	M16	UCX15 X15-48	FCX15	7.86
			8.7402	7.4803	5.2874	0.4724	1.3780	2.2441	0.8661	0.6299	6.4567	0.7480	2.4134	1.3110	5/8			17.3
UCFCX16		80	260	219	154.8	10	36	61	25	19	186	23	61.6	34.1	M20	UCX16	FCX16	11.08
			10.2362	8.6220	6.0945	0.3937	1.4173	2.4016	0.9843	0.7480	7.3228	0.9055	2.4252	1.3425	3/4			24.4
UCFCX17 X17-52	3 1/4	85	260	219	154.8	10	36	61	25	19	186	23	66.3	39.7	M20	UCX17 X17-52	FCX17	12.23
			10.2362	8.6220	6.0945	0.3937	1.4173	2.4016	0.9843	0.7480	7.3228	0.9055	2.6102	1.5630	3/4			26.9
UCFCX18 X18-56	3 1/2	90	260	219	154.8	12	43	71	28	19	186	23	73.1	42.9	M20	UCX18 X18-56	FCX18	12.49
			10.2362	8.6220	6.0945	0.4724	1.6929	2.7953	1.1024	0.7480	7.3228	0.9055	2.8780	1.6890	3/4			27.5
UCFCX20 X20-64	4	100	276	238	168.3	22	66	94	28	22	206	23	90.3	49.2	M20	UCX20 X20-64	FCX20	27.5
			10.8661	9.3701	6.6260	0.8661	2.5984	3.7008	1.1024	0.8661	8.1102	0.9055	3.5551	1.9370	3/4			34.4



(setscrew locking)

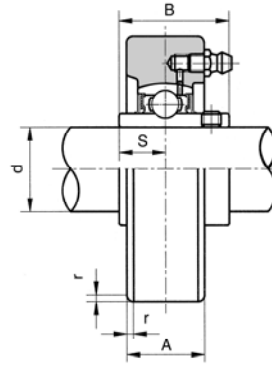
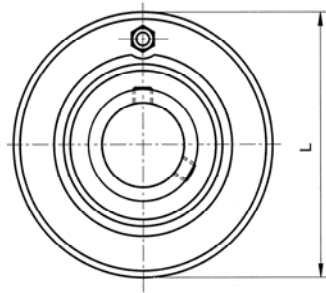


UCC2

Unit number	Shaft size		Dimensions (mm)					Bearing number	Housing number	Mass (kg) (lbS)
	d		Dimensions (inch)							
	(in.)	(mm)	L	A	r	B	S			
UCC201 201-8	1/2	12	72	20	2	31	12.7	UC201 201-8	C204	0.53 1.2
			2.83465	0.7874	0.07874	1.22047	0.5			
UCC202 202-10	5/8	15	72	20	2	31	12.7	UC202 202-10	C204	0.52 1.1
			2.83465	0.7874	0.07874	1.22047	0.5			
UCC203 203-11	11/16	17	72	20	2	31	12.7	UC203 203-11	C204	0.51 1.1
			2.83465	0.7874	0.07874	1.22047	0.5			
UCC204 204-12	3/4	20	72	20	2	31	12.7	UC204 204-12	C204	0.49 1.1
			2.83465	0.7874	0.07874	1.22047	0.5			
UCC205 205-14 205-15 205-16	7/8 15/16 1	25	80	22	2	34.1	14.3	UC205 UC205-14 UC205-15 UC205-16	C205	0.65 1.4
	3.14961		0.86614	0.07874	1.34252	0.56299				
UCC206 206-17 206-18 206-19 206-20	1 1/16 1 1/8 1 3/16 1 1/4	30	85	27	2	38.1	15.9	UC206 206-17 206-18 206-19 206-20	C206	0.81 1.8
	3.34646		1.06299	0.07874	1.5	0.62598				
UCC207 207-20 207-21 207-22 207-23	1 1/4 1 5/16 1 3/8 1 7/16	35	90	28	2	42.9	17.5	UC207 207-20 207-21 207-22 207-23	C207	0.9 2
	3.54331		1.10236	0.07874	1.68898	0.68898				
UCC208 208-24 208-25	1 1/2 1 9/16	40	100	30	2.5	49.2	19	UC208 208-24 208-25	C208	1.2 2.6
	3.93701		1.1811	0.09843	1.93701	0.74803				



(setscrew locking)

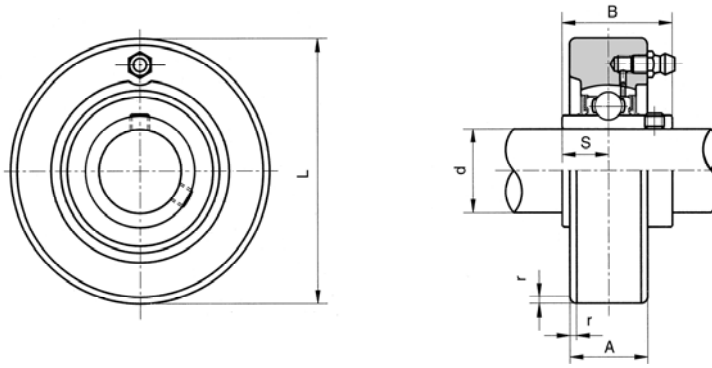


UCC2

Unit number	Shaft size		Dimensions (mm)					Bearing number	Housing number	Mass (kg) (lbS)
	d		(inch)							
	(in.)	(mm)	L	A	r	B	S			
UCC209		45	110	31	2.5	49.2	19	UC209	C209	1.5
209-26	1 5/8		4.33071	1.22047	0.09843	1.93701	0.74803	209-26		
209-27	1 11/16							209-27		3.3
209-28	1 3/4							209-28		
UCC210		50	120	33	2.5	51.6	19	UC210	C210	1.9
210-30	1 7/8		4.72441	1.29921	0.09843	2.0315	0.74803	210-30		
210-31	1 15/16							210-31		4.2
210-32	2							210-32		
UCC211		55	125	35	2.5	55.6	22.2	UC211	C211	2.2
211-32	2		4.92126	1.37795	0.09843	2.18898	0.87402	211-32		
211-34	2 1/8							211-34		4.9
211-35	2 3/16							211-35		
UCC212		60	130	38	2.5	65.1	25.4	UC212	C212	2.5
212-36	2 1/4		5.11811	1.49606	0.09843	2.56299	1	212-36		
212-37	2 5/16							212-37		
212-38	2 3/8							212-38		5.5
212-39	2 7/16							212-39		
UCC213		65	140	40	3	65.1	25.4	UC213	C213	3.0
213-40	2 1/2		5.51181	1.5748	0.11811	2.56299	1	213-40		6.5



(setscrew locking)

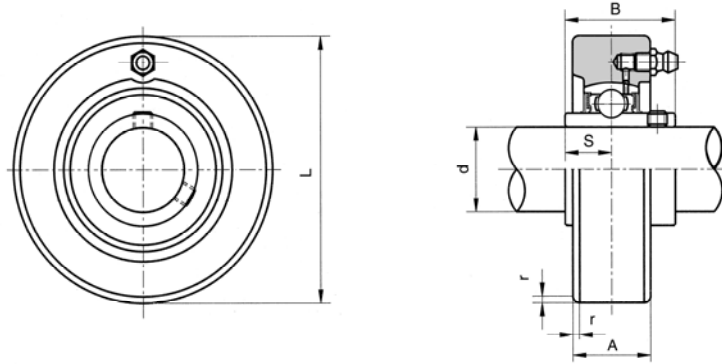


UCCX

Unit number	Shaft size		Dimensions (mm)					Bearing number	Housing number	Mass (kg) (lbS)
	d		(inch)							
	(in.)	(mm)	L	A	r	B	S			
UCCX05 X05-16	1	25	90 3.5433	27 1.0630	2 0.0787	38.1 1.5000	15.9 0.6260	UCX05 X05-16	CX05	1.1 2.4
UCCX06 X06-19 X06-20	1 3/16 1 1/4	30	100 3.9370	30 1.1811	2.5 0.0984	42.9 1.6890	17.5 0.6890	UCX06 X06-19 X06-20	CX06	1.5 3.3
UCCX07 X07-22 X07-23	1 3/8 1 7/16	35	110 4.3307	34 1.3386	2.5 0.0984	49.2 1.9370	19 0.7480	UCX07 X07-22 X07-23	CX07	2.01 4.4
UCCX08 X08-24	1 1/2	40	120 4.7244	38 1.4961	2.5 0.0984	49.2 1.9370	19 0.7480	UCX08 X08-24	CX08	2.4 5.3
UCCX09 X09-27 X09-28	1 11/16 1 3/4	45	120 4.7244	38 1.4961	2.5 0.0984	51.6 2.0315	19 0.7480	UCX09 X09-27 X09-28	CX09	2.35 5.2
UCCX10 X10-31 X10-32	1 15/16 2	50	130 5.1181	40 1.5748	2.5 0.0984	55.6 2.1890	22.2 0.8740	UCX10 X10-31 X10-32	CX10	2.94 6.5
UCCX11 X11-35 X11-36	2 3/16 2 1/4	55	150 5.9055	42 1.6535	3 0.1181	65.1 2.5630	25.4 1.0000	UCX11 X11-35 X11-36	CX11	4.3 9.5
UCCX12 X12-38 X12-39	2 3/8 2 7/16	60	160 6.2992	44 1.7323	3 0.1181	65.1 2.5630	25.4 1.0000	UCX12 X12-38 X12-39	CX12	4.78 10.5



(setscrew locking)



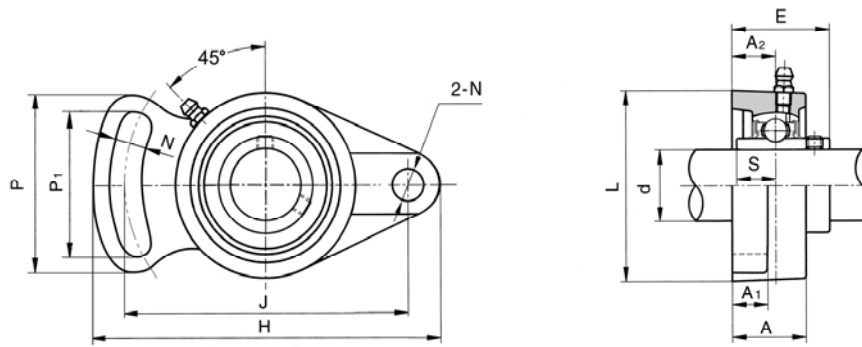
UCC3

Unit number	Shaft size		Dimensions (mm)					Bearing number	Housing number	Mass (kg) (lbS)
	d		(inch)							
	(in.)	(mm)	L	A	r	B	S			
UCC305		25	90	26	2.5	38	15	UC305	C305	1.2
305-13	13/16							305-13		
305-14	7/8		3.5433	1.0236	0.0984	1.4961	0.5906	305-14		2.6
305-15	15/16							305-15		
305-16	1							305-16		
UCC306		30	100	28	2.5	43	17	UC306	C306	1.4
306-17	1 1/16							306-17		
306-18	1 1/8		3.9370	1.1024	0.0984	1.6929	0.6693	306-18		3.1
306-19	1 3/16							306-19		
306-20	1 1/4							306-20		
UCC307		35	110	32	3.0	48	19	UC307	C307	1.8
307-20	1 1/4							307-20		
307-21	1 5/16		4.3307	1.2598	0.1181	1.8898	0.7480	307-21		4
307-22	1 3/8							307-22		
307-23	1 7/16							307-23		
UCC308		40	120	34	3.0	52	19	UC308	C308	2.24
308-24	1 1/2		4.7244	1.3386	0.1181	2.0472	0.7480	308-24		4.9
308-25	1 9/16							308-25		
UCC309		45	130	38	3.5	57	22	UC309	C309	2.75
309-26	1 5/8							309-26		
309-27	1 11/16		5.1181	1.4961	0.1378	2.2441	0.8661	309-27		6.1
309-28	1 3/4							309-28		
UCC310		50	140	40	3.5	61	22	UC310	C310	3.34
310-30	1 7/8							310-30		
310-31	1 15/16		5.5118	1.5748	0.1378	2.4016	0.8661	310-31		7.4
310-32	2							310-32		
UCC311		55	150	44	3.5	66	25	UC311	C311	3.93
311-32	2							311-32		
311-34	2 1/8		5.9055	1.7323	0.1378	2.5984	0.9843	311-34		8.6
311-35	2 3/16							311-35		
UCC312		60	160	46	3.5	71	26	UC312	C312	4.8
312-36	2 1/4							312-36		
312-37	2 5/16		6.2992	1.8110	0.1378	2.7953	1.0236	312-37		10.6
312-38	2 3/8							312-38		
312-39	2 7/16							312-39		



Adjust table flange units

(setscrew locking)



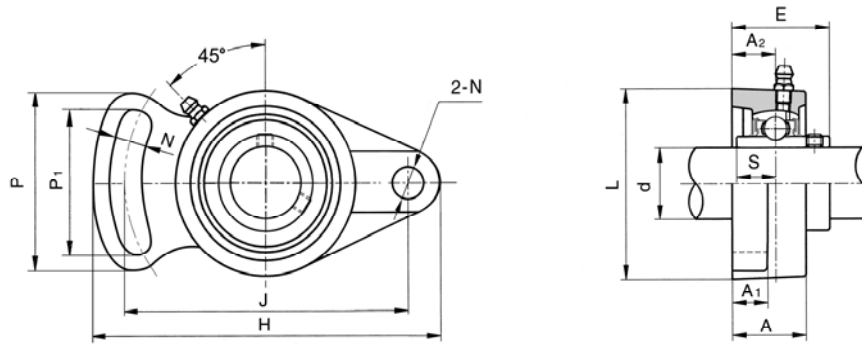
UCFA2

Unit number	Shaft size		Dimensions (mm)											Bolts (mm) (in)	Bearing number	Housing number	Mass (kg) (lbS)
	d		Dimensions (inch)														
	(in.)	(mm)	H	J	L	P	P1	A2	A1	A	N	E	S				
UCFA201 201-8	1/2	12	98	78	60	50	40	15	12	25.4	10	33.3	12.7	M8	UC201 201-8	FA204	0.49
			3.8583	3.0709	2.3622	1.9685	1.5748	0.5906	0.4724	1.0000	0.3937	1.3110	0.5000	5/16			1.1
UCFA202 202-10	5/8	15	98	78	60	50	40	15	12	25.4	10	33.3	12.7	M8	UC202 202-10	FA204	0.48
			3.8583	3.0709	2.3622	1.9685	1.5748	0.5906	0.4724	1.0000	0.3937	1.3110	0.5000	5/16			1
UCFA203 203-11	11/16	17	98	78	60	50	40	15	12	25.4	10	33.3	12.7	M8	UC203 203-11	FA204	0.47
			3.8583	3.0709	2.3622	1.9685	1.5748	0.5906	0.4724	1	0.3937	1.311	0.5	5/16			1
UCFA204 204-12	3/4	20	98	78	60	50	40	15	12	25.4	10	33.3	12.7	M8	UC204 204-12	FA204	0.45
			3.8583	3.0709	2.3622	1.9685	1.5748	0.5906	0.4724	1	0.3937	1.311	0.5	5/16			1
UCFA205 205-14 205-15 205-16	7/8	25	124	96	70	64	49	15	14	26.5	13	34.3	14.3	M10 3/8	UC205 205-14 205-15 205-16	FA205	0.64
	15/16																1.4
	1																1.4
UCFA206 206-17 206-18 206-19 206-20	1 1/16	30	141	115	80	68	53	18	14	31	13	40.2	15.9	M10 3/8	UC206 206-17 206-18 206-19 206-20	FA206	0.92
	1 1/8																2
	1 3/16																
	1 1/4																
UCFA207 207-20 207-21 207-22 207-23	1 1/4	35	155	128	90	75	60	20	16	34	15	45.4	17.5	M12 1/2	UC207 207-20 207-21 207-22 207-23	FA207	1.27
	1 5/16																2.8
	1 3/8																
	1 7/16																
UCFA208 208-24 208-25	1 1/2	40	171	142	100	84	69	22	16	36	15	52.2	19	M12 1/2	UC208 208-24 208-25	FA208	1.62
	1 9/16																3.6
UCFA209 209-26 209-27 209-28	1 5/8	45	179	146	110	88	72	22	18	36	17	52.2	19	M14 9/16	UC209 209-26 209-27 209-28	FA209	1.84
	1 11/16																4
	1 3/4																



Adjust table flange units

(setscrew locking)

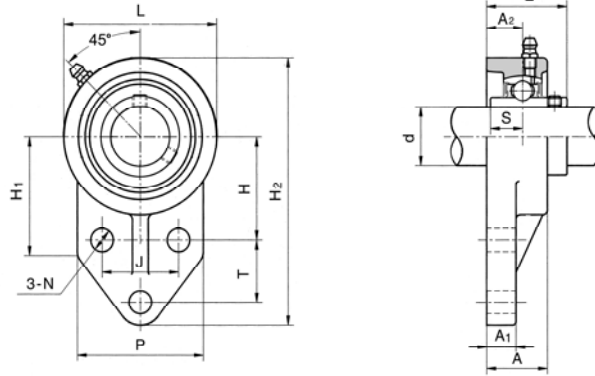


UCFA2

Unit number	Shaft size		Dimensions (mm)											Bolts (mm) (in)	Bearing number	Housing number	Mass (kg) (lbS)	
	d		Dimensions (inch)															
	(in.)	(mm)	H	J	L	P	P1	A2	A1	A	N	E	S					
UCFA210	1 7/8 1 15/16 2	50	189	155	115	92	75	22	18	40	17	54.6	19	M14	UC210 210-30 210-31 210-32	FA210	2.1 4.6	
210-30			7.4409	6.1024	4.5276	3.622	2.9528	0.8661	0.7087	1.5748	0.6693	2.1496	0.748	9/16				
210-31																		
210-32																		
UCFA211	2 2 1/8 2 3/16	55	218	182	130	102	85	26	20	43	17	59.4	22.2	M14	UCUC211 211-32 211-34 211-35	FA211	2.16 4.8	
211-32			8.5827	7.1654	5.1181	4.0157	3.3465	1.0236	0.7874	1.6929	0.6693	2.3386	0.874	9/16				
211-34																		
211-35																		
UCFA212	2 1/4 2 5/16 2 3/8 2 7/16	60	238	202	140	122	104	29	20	47.5	18	68.7	25.4	M16	UC212 212-36 212-37 212-38 212-39	FA212	2.92 6.4	
212-36			9.3701	7.9528	5.5118	4.8031	4.0945	1.1417	0.7874	1.8701	0.7087	2.7047	1	5/8				
212-37																		
212-38																		
212-39																		
UCFA213	2 1/2	65	248	210	152	126	106	30	20	49	18	69.7	25.4	M16	UC213 213-40	FA213	3.61 8	
213-40			9.7638	8.2677	5.9843	4.9606	4.1732	1.1811	0.7874	1.9291	0.7087	2.7441	1	5/8				

Three bolts flange bracket units

(setscrew locking)

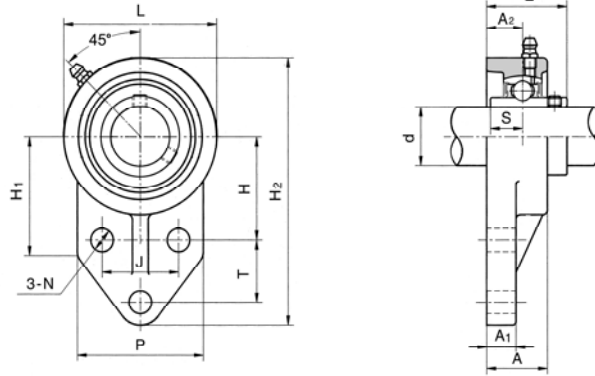


UCFB2

Unit number	Shaft size		Dimensions (mm)													Bolts (mm) (in)	Bearing number	Housing number	Mass (kg) (lbS)			
	d		(inch)																			
	(in.)	(mm)	H2	L	P	H	J	T	H1	A2	A1	A	N	E	S							
UCFB201	1/2	12	110	62	52	42	32	27	52	15	13	25.5	10	33.3	12.7	M8	UC201	FB204	0.57			
201-8			4.3307	2.4409	2.0472	1.6535	1.2598	1.0630	2.0472	0.5906	0.5118	1.0039	0.3937	1.3110	0.5000	5/16				201-8	1.2	
UCFB202	5/8	15	110	62	52	42	32	27	52	15	13	25.5	10	33.3	12.7	M8	UC202	FB204	0.56			
202-10			4.331	2.441	2.047	1.654	1.26	1.063	2.047	0.591	0.512	1.004	0.394	1.311	0.5	5/16				202-10	1.2	
UCFB203	11/16	17	110	62	52	42	32	27	52	15	13	25.5	10	33.3	12.7	M8	UC203	FB204	0.55			
203-11			4.3307	2.4409	2.0472	1.6535	1.2598	1.0630	2.0472	0.5906	0.5118	1.0039	0.3937	1.3110	0.5000	5/16				203-11	1.2	
UCFB204	3/4	20	110	62	52	42	32	27	52	15	13	25.5	10	33.3	12.7	M8	UC204	FB204	0.53			
204-12			4.331	2.441	2.047	1.654	1.26	1.063	2.047	0.591	0.512	1.004	0.394	1.311	0.5	5/16				204-12	1.2	
UCFB205	7/8	25	116	68	56	45	34	27	52	16	13	27	10	35.8	14.3	M8	UC205	FB205	0.74			
205-14			4.5669	2.6772	2.2047	1.7717	1.3386	1.0630	2.0472	0.6299	0.5118	1.0630	0.3937	1.4094	0.5630	5/16				205-14	1.6	
205-15			15/16																		205-15	
205-16	1																205-16					
UCFB206	1 1/16	30	130	78	65	50	40	29	55	18	13	31	10	40.2	15.9	M8	UC206	FB206	0.99			
206-17			5.118	3.071	2.559	1.969	1.575	1.142	2.165	0.709	0.512	1.22	0.394	1.583	0.626	5/16				206-17	2.2	
206-18			1 1/8																		206-18	
206-19			1 3/16																		206-19	
206-20	1 1/4																206-20					
UCFB207	1 1/4	35	144	90	70	55	46	32	62	19	15	34	10	44.4	17.5	M8	UC207	FB207	1.28			
207-20			5.6693	3.5433	2.7559	2.1654	1.8110	1.2598	2.4409	0.7480	0.5906	1.3386	0.3937	1.7480	0.6890	5/16				207-20	2.8	
207-21			1 5/16																		207-21	
207-22			1 3/8																		207-22	
207-23	1 7/16																207-23					
UCFB208	1 1/2	40	164	100	78	60	50	41	72	21	16	36	12	51.2	19	M10	UC208	FB208	1.55			
208-24			6.4567	3.9370	3.0709	2.3622	1.9685	1.6142	2.8346	0.8268	0.6299	1.4173	0.4724	2.0157	0.7480	3/8				208-24	3.4	
208-25	1 9/16																208-25					
UCFB209	1 5/8	45	174	106	80	65	54	43	76	22	18	38	12	52.2	19	M10	UC209	FB209	2.13			
209-26			6.8504	4.1732	3.1496	2.5591	2.1260	1.6929	2.9921	0.8661	0.7087	1.4961	0.4724	2.0551	0.7480	3/8				209-26	4.7	
209-27			1 11/16																		209-27	
209-28	1 3/4																209-28					

Three bolts flange bracket units

(setscrew locking)

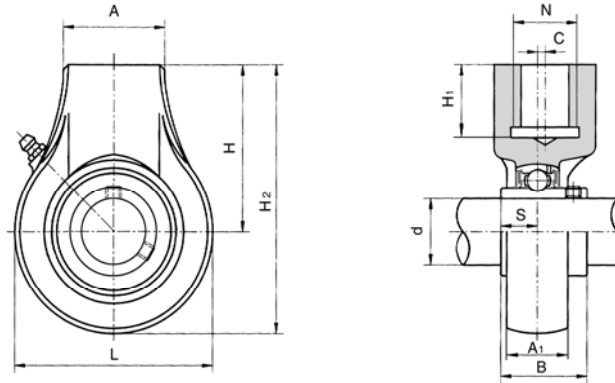


UCFB2

Unit number	Shaft size		Dimensions (mm)													Bolts (mm) (in)	Bearing number	Housing number	Mass (kg) (lbS)
	d		(inch)																
	(in.)	(mm)	H2	L	P	H	J	T	H1	A2	A1	A	N	E	S				
UCFB210		50	184	112	86	68	58	46	82	22	18	40	12	54.6	19	M10	UC210	FB210	2.41
210-30	1 7/8																210-30		
210-31	1 15/16		7.2441	4.4094	3.3858	2.6772	2.2835	1.8110	3.2283	0.8661	0.7087	1.5748	0.4724	2.1496	0.7480	3/8	210-31		5.3
210-32	2																210-32		
UCFB211		55	207	128	90	78	62	50	55.6	25	18	42.5	14	58.4	22.2	M12	UC211	FB211	3.11
211-32	2																211-32		
211-34	2 1/8		8.1496	5.0394	3.5433	3.0709	2.4409	1.9685	2.1890	0.9843	0.7087	1.6732	0.5512	2.2992	0.8740	1/2	211-34		6.8
211-35	2 3/16																211-35		
UCFB212		60	224	140	94	84	66	55	65.1	29	19	47.5	14	68.7	25.4	M12	UC212	FB212	4.07
212-36	2 1/4																212-36		
212-37	2 5/16		8.8189	5.5118	3.7008	3.3071	2.5984	2.1654	2.5630	1.1417	0.7480	1.8701	0.5512	2.7047	1.0000	1/2	212-37		9
212-38	2 3/8																212-38		
212-39	2 7/16																212-39		
UCFB213		65	244	152	102	92	70	60	65.1	30	20	49	14	69.7	25.4	M12	UC213	FB213	4.86
213-40	2 1/2		9.6063	5.9843	4.0157	3.6220	2.7559	2.3622	2.5630	1.1811	0.7874	1.9291	0.5512	2.7441	1.0000	1/2	213-40		10.7



(setscrew locking)

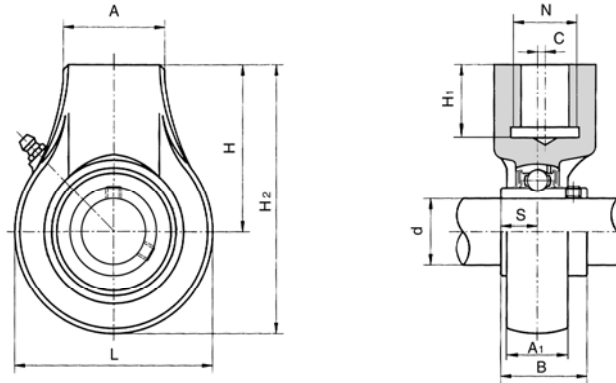


UCHA2

Unit number	Shaft size		Dimensions (mm)										Bearing number	Housing number	Mass (kg) (lbS)
	d		Dimensions (inch)												
	(in.)	(mm)	L	H	H ₂	H ₁	C	A	A ₁	B	S	N			
UCHA201 201-8	1/2	12	64 2.5197	64 2.5197	96 3.7795	19 0.7480	0 0.0000	40 1.5748	21 0.8268	31 1.2205	12.7 0.5000	PF 3/4	UC201 201-8	HA204	0.74 1.6
UCHA202 202-10	5/8	15	64 2.5197	64 2.5197	96 3.7795	19 0.748	0 0	40 1.5748	21 0.8268	31 1.2205	12.7 0.5	PF 3/4	UC202 202-10	HA204	0.72 1.6
UCHA203 203-11	11/16	17	64 2.5197	64 2.5197	96 3.7795	19 0.7480	0 0.0000	40 1.5748	21 0.8268	31 1.2205	12.7 0.5000	PF 3/4	UC203 203-11	HA204	0.69 1.5
UCHA204 204-12	3/4	20	64 2.5197	64 2.5197	96 3.7795	19 0.748	0 0	40 1.5748	21 0.8268	31 1.2205	12.7 0.5	PF 3/4	UC204 204-12	HA204	0.69 1.5
UCHA205 205-14 205-15 205-16	7/8 15/16 1	25	78 3.0709	64 2.5197	103 4.0551	19 0.7480	0 0.0000	40 1.5748	24 0.9449	34.1 1.3425	14.3 0.5630	PF 3/4	UC205 205-14 205-15 205-16	HA205	1 2.2
UCHA206 206-17 206-18 206-19 206-20	1 1/16 1 1/8 1 3/16 1 1/4	30	80 3.1496	64 2.5197	103 4.0551	19 0.748	0 0	40 1.5748	28 1.1024	38.1 1.5	15.9 0.626	PF 3/4	UC206 206-17 206-18 206-19 206-20	HA206	1 2.2
UCHA207 207-20 207-21 207-22 207-23	1 1/4 1 5/16 1 3/8 1 7/16	35	92 3.6220	70 2.7559	116 4.5669	19 0.7480	0 0.0000	40 1.5748	30 1.1811	42.9 1.6890	17.5 0.6890	PF 3/4	UC207 207-20 207-21 207-22 207-23	HA207	1.38 3
UCHA208 208-24 208-25	1 1/2 1 9/16	40	100 3.9370	73 2.8740	121 4.7638	19 0.7480	2 0.0787	40 1.5748	33 1.2992	49.2 1.9370	19 0.7480	PF 3/4	UC208 208-24 208-25	HA208	1.64 3.6
UCHA209 209-26 209-27 209-28	1 5/8 1 11/16 1 3/4	45	108 4.2520	82 3.2283	136 5.3543	21 0.8268	5 0.1969	48 1.8898	35 1.3780	49.2 1.9370	19 0.7480	PF 1	UC209 209-26 209-27 209-28	HA209	2.08 4.6

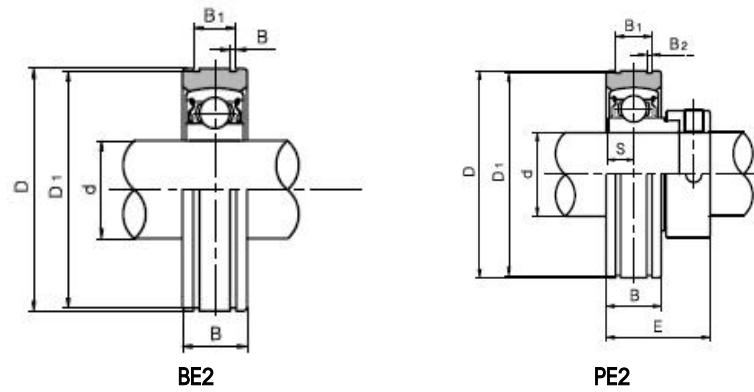


(setscrew locking)



UCHA2

Unit number	Shaft size		Dimensions (mm)										Bearing number	Housing number	Mass (kg) (lbS)	
	d		Dimensions (inch)													
	(in.)	(mm)	L	H	H2	H1	C	A	A1	B	S	N				
UCHA210		50	118	83	142	21	5	48	37	51.6	19	PF 1	UC210	HA210	2.61	
210-30	1 7/8												210-30			
210-31	1 15/16		4.6457	3.2677	5.5906	0.8268	0.1969	1.8898	1.4567	2.0315	0.7480		210-31			5.7
210-32	2												210-32			
UCHA211		55	126	95	158	25	7	60	38	55.6	22.2	PF 1 1/4	UC211	HA211	2.94	
211-32	2												211-32			
211-34	2 1/8		4.9606	3.7402	6.2205	0.9843	0.2756	2.3622	1.4961	2.1890	0.8740		211-34			6.5
211-35	2 3/16												211-35			
UCHA212		60	142	102	173	28	9	60	42	65.1	25.4	PF 1 1/4	UC212	HA212	4.4	
212-36	2 1/4												212-36			
212-37	2 5/16		5.5906	4.0157	6.8110	1.1024	0.3543	2.3622	1.6535	2.5630	1.0000		212-37			9.7
212-38	2 3/8												212-38			
212-39	2 7/16												212-39			
UCHA213		65	166	117	200	32	9.5	70	44	65.1	25.4	PF 1 1/2	UC213	HA213	6.61	
213-40	2 1/2		6.5354	4.6063	7.8740	1.2598	0.3740	2.7559	1.7323	2.5630	1.0000		213-40			14.6
UCHA214		70	166	117	200	32	9.5	70	44	74.6	30.2	PF 1 1/2	UC214	HA214	6.61	
214-43	2 11/16		6.5354	4.6063	7.8740	1.2598	0.3740	2.7559	1.7323	2.9370	1.1890		214-43			14.6
214-44	2 3/4												214-44			
UCHA215		75	166	117	200	32	9.5	70	44	77.8	33.3	PF 1 1/2	UC215	HA215	6.61	
215-46	2 7/8		6.5354	4.6063	7.8740	1.2598	0.3740	2.7559	1.7323	3.0630	1.3110		215-46			14.6
215-47	2 15/16												215-47			
215-48	3												215-48			

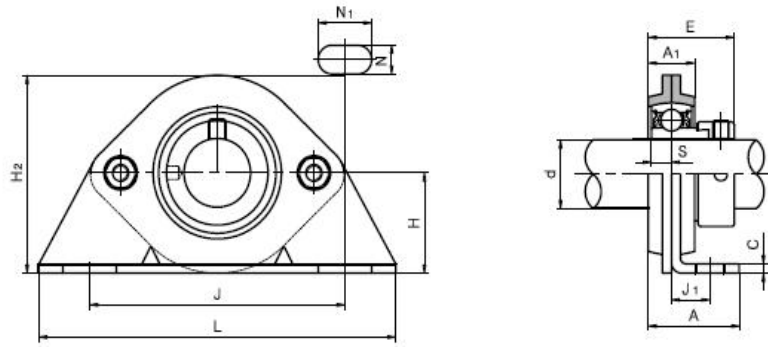


Unit number	Shaft size	Dimensions							Bearing number	Housing number	Mass (kg) (lbS)
	d	(mm)									
	(mm)	D	B	B1	B2	D1	S	E			
BE204	20	55	16	11.2	1.6	53.5			SC204	ES04	0.19
PE204	20	55	16	11.2	1.6	53.5	7.5	31.5	SA204H	ES04	0.24
BE205	25	62	17	11.2	1.6	60.5			SC205	ES05	0.25
PE205	25	62	17	11.2	1.6	60.5	7.5	32	SA205H	ES05	0.31
BE206	30	72	21	14.4	2.2	70.2			SC206	ES06	0.37
PE206	30	72	21	14.4	2.2	70.2	9.0	37.2	SA206H	ES06	0.48
BE207	35	80	21	14.4	2.2	78.2			SC207	ES07	0.45
PE207	35	80	21	14.4	2.2	78.2	9.5	39.9	SA207H	ES07	0.46
BE208	40	90	25	15.4	2.7	88			SC208	ES08	0.63
PE208	40	90	25	15.4	2.7	88	11.0	45.2	SA208H	ES08	0.88

Pressed housing pillow block units



(eccentric collar locking)



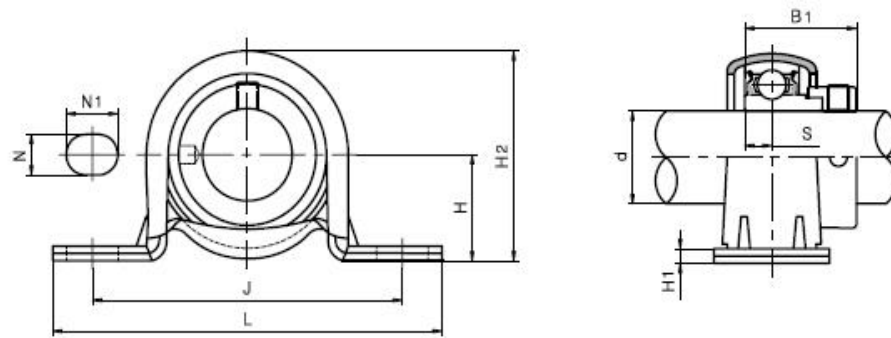
SAPPL2

Unit number	Shaft size	Dimensions												Bolts (mm) (in.)	Bearing number	Housing number	Mass (kg) (lbS)
	d	(mm)															
	(mm)	H	A	A1	C	H2	N	N1	E	J	S	J1	L				
SAPPL202	15	30.2	32.5	14.2	2.6	59.6	10.5	16.1	28.6	92	6.5	15	123.8	M8	SA202F	PFLL202	0.32
SAPPL203	17	30.2	32.5	14.2	2.6	59.6	10.5	16.1	28.6	92	6.5	15	123.8	M8	SA203F	PFLL203	0.32
SAPPL204	20	33.6	33	15.8	3	66.8	10.5	16.1	31	97	7.5	15	127	M8	SA204F	PFLL204	0.45
SAPPL205	25	36.5	34.1	17.4	3.4	72	10.5	20.0	31	95.5	7.5	14.3	133.5	M8	SA205F	PFLL205	0.49
SAPPL206	30	42.9	38.9	17.4	3.4	85	13.5	21.5	35.7	119	9	16	159	M12	SA206F	PFLL206	0.79
SAPPL207	35	47.6	46.1	22.2	4	94.4	13.5	21.5	38.9	127	9.5	20.7	165	M12	SA207F	PFLL207	1.05
SAPPL208	40	55	53.5	23	4	106	13.5	21.5	43.7	136.5	11.0	25	180	M12	SA208F	PFLL208	1.33

Pressed housing pillow block units



(eccentric collar locking)



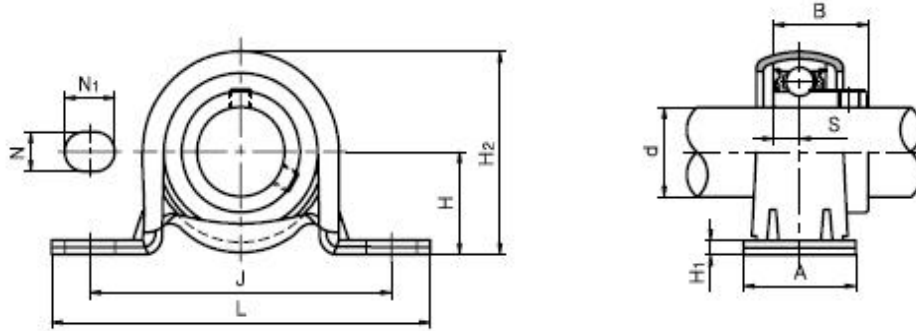
SAPP2

Unit number	Shaft size		Dimensions (mm)										Bolts (mm) (in.)	Bearing number	Housing number	Mass (kg) (lbS)
	d		(inch)													
	(in.)	(mm)	H	L	J	A	N	N1	H1	H2	S	B1				
SAPP201 201-8	1/2	12	22.2	86	68	2.5	9	12.7	3.2	43.8	6.5	28.6	M8 5/16	SA201F 201-8F	PP203	0.21
			0.8740	3.3858	2.6772	0.0984	0.3543	0.5000	0.1260	1.7244	0.2559	1.1260				0.46
SAPP202 202-10	5/8	15	22.2	86	68	2.5	9	12.7	3.2	43.8	6.5	28.6	M8 5/16	SA202F 202-10F	PP203	0.2
			0.8740	3.3858	2.6772	0.0984	0.3543	0.5000	0.1260	1.7244	0.2559	1.1260				0.44
SAPP203 203-11	11/16	17	22.2	86	68	2.5	9	12.7	3.2	43.8	6.5	28.6	M8 5/16	SA203F 203-11F	PP203	0.19
			0.8740	3.3858	2.6772	0.0984	0.3543	0.5000	0.1260	1.7244	0.2559	1.1260				0.42
SAPP204 204-12	3/4	20	25.4	98	76	32	9	12.7	3.2	50.5	7.5	31	M8 5/16	SA204F 204-12F	PP204	0.27
			1.0000	3.8583	2.9921	1.2598	0.3543	0.5000	0.1260	1.9882	0.2953	1.2205				0.6
SAPP205 205-14 205-15 205-16	7/8 15/16 1	25	28.6	108	86	32	11	14.3	4	56.6	7.5	31	M10 3/8	SA205 205-14 205-15 205-16	PP205	0.34
	1.1260		4.2520	3.3858	1.2598	0.4331	0.5630	0.1575	2.2283	0.2953	1.2205	0.75				
	1															
SAPP206 206-17 206-18 206-19 206-20	1 1/16 1 1/8 1 3/16 1 1/4	30	33.3	117	95	38	11	14.3	4	66.3	9	35.7	M10 3/8	SA206F 206-17F 206-18F 206-19F 206-20F	PP206	0.52
	1.3110		4.6063	3.7402	1.4961	0.4331	0.5630	0.1575	2.6102	0.3543	1.4055	1.15				
SAPP207 207-20 207-21 207-22 207-23	1 1/4 1 5/16 1 3/8 1 7/16	35	39.7	129	106	42	13.5	19.1	4.6	78	9.5	38.9	M12 1/2	SA207F 207-20F 207-21F 207-22F 207-23F	PP207	0.73
	1.5630		5.0787	4.1732	1.6535	0.5315	0.7520	0.1811	3.0709	0.3740	1.5315	1.61				

Pressed housing pillow block units



(setscrew locking)



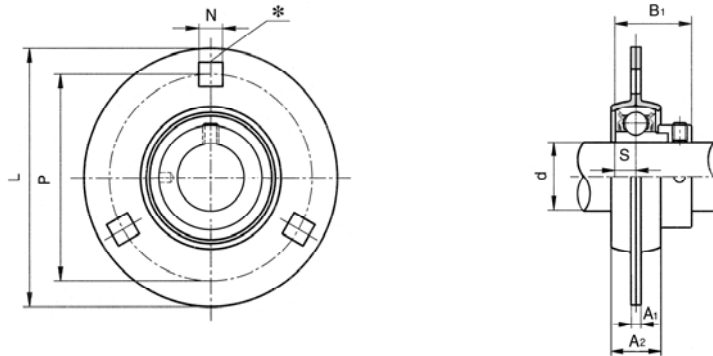
SBPP2

Unit number	Shaft size		Dimensions (mm)										Bolts (mm) (in.)	Bearing number	Housing number	Mass (kg) (lbS)		
	d		(inch)															
	(in.)	(mm)	H	L	J	A	N	N1	H1	H2	S	B1						
SBPP201	1/2	12	22.2	86	68	25	9	12.7	3.2	43.8	6	22	M8	SB201	PP203	0.17		
201-8			0.8740	3.3858	2.6772	0.9843	0.3543	0.5000	0.1260	1.7244	0.2362	0.8661	5/16			201-8	0.37	
SBPP202	5/8	15	22.2	86	68	25	9	12.7	3.2	43.8	6	22	M8	SB202	PP203	0.16		
202-10			0.8740	3.3858	2.6772	0.9843	0.3543	0.5000	0.1260	1.7244	0.2362	0.8661	5/16			202-10	0.35	
SBPP203	11/16	17	22.2	86	68	25	9	12.7	3.2	43.8	6	22	M8	SB203	PP203	0.15		
203-11			0.8740	3.3858	2.6772	0.9843	0.3543	0.5000	0.1260	1.7244	0.2362	0.8661	5/16			203-11	0.33	
SBPP204	3/4	20	25.4	98	76	32	9	12.7	3.2	50.5	7	25	M8	SB204	PP204	0.23		
204-12			1.0000	3.8583	2.9921	1.2598	0.3543	0.5000	0.1260	1.9882	0.2756	0.9843	5/16			204-12	0.51	
SBPP205	7/8	25	28.6	108	86	32	11	14.3	4	56.6	7.5	27	M10	SB205	PP205	0.31		
205-14			1.1260	4.2520	3.3858	1.2598	0.4331	0.5630	0.1575	2.2283	0.2953	1.0630	3/8			205-14	0.68	
205-15			15/16	1.5630	5.0787	4.1732	1.6535	0.5315	0.7520	0.1811	3.0709	0.3346	1.2598			1/2	205-15	1.34
SBPP206	1 1/16	30	33.3	117	95	38	11	14.3	4	66.3	8	30	M10	SB206	PP206	0.45		
206-17			1.3110	4.6063	3.7402	1.4961	0.4331	0.5630	0.1575	2.6102	0.3150	1.1811	3/8			206-17	0.99	
206-18			1 1/8	1.5630	5.0787	4.1732	1.6535	0.5315	0.7520	0.1811	3.0709	0.3346	1.2598			1/2	206-18	1.34
206-19			1 3/16	1.5630	5.0787	4.1732	1.6535	0.5315	0.7520	0.1811	3.0709	0.3346	1.2598			1/2	206-19	1.34
SBPP207	1 1/4	35	39.7	129	106	42	13.5	19.1	4.6	78	8.5	32	M12	SB207	PP207	0.61		
207-20			1.5630	5.0787	4.1732	1.6535	0.5315	0.7520	0.1811	3.0709	0.3346	1.2598	1/2			207-20	1.34	
207-21			1 5/16	1.5630	5.0787	4.1732	1.6535	0.5315	0.7520	0.1811	3.0709	0.3346	1.2598			1/2	207-21	1.34
207-22			1 3/8	1.5630	5.0787	4.1732	1.6535	0.5315	0.7520	0.1811	3.0709	0.3346	1.2598			1/2	207-22	1.34
207-23	1 7/16	1.5630	5.0787	4.1732	1.6535	0.5315	0.7520	0.1811	3.0709	0.3346	1.2598	1/2	207-23	1.34				

Pressed housing flange units



(eccentric collar locking)



SAPF2

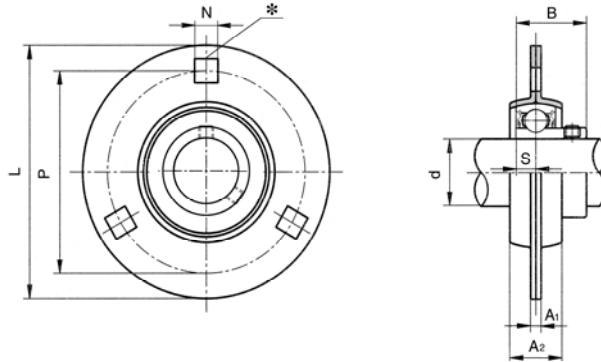
Unit number	Shaft size		Dimensions (mm)							Bolts (mm) (in.)	Bearing number	Housing number	Mass (kg) (lbS)
	d		(inch)										
	(in.)	(mm)	L	P	A1	N	A	B1	S				
SAPF201 201-8	1/2	12	81 3.1890	63.5 2.5000	4 0.1575	7.1 0.2795	14 0.5512	28.6 1.1260	6.5 0.2559	M6 1/4	SA201F 201-8F	PF203	0.27 0.59
SAPF202 202-10	5/8	15	81 3.1890	63.5 2.5000	4 0.1575	7.1 0.2795	14 0.5512	28.6 1.1260	6.5 0.2559	M6 1/4	SA202F 202-10F	PF203	0.26 0.57
SAPF203 203-11	11/16	17	81 3.1890	63.5 2.5000	4 0.1575	7.1 0.2795	14 0.5512	28.6 1.1260	6.5 0.2559	M6 1/4	SA203F 203-11F	PF203	0.25 0.55
SAPF204 204-12	3/4	20	90 3.5433	71.5 2.8150	4 0.1575	9 0.3543	16 0.6299	31 1.2205	7.5 0.2953	M8 5/16	SA204F 204-12F	PF204	0.33 0.73
SAPF205 205-14 205-15 205-16	7/8 15/16 1	25	95 3.7402	76 2.9921	4 0.1575	9 0.3543	18 0.7087	31 1.2205	7.5 0.2953	M8 5/16	SA205 205-14 205-15 205-16	PF205	0.4 0.88
SAPF206 206-17 206-18 206-19 206-20	1 1/16 1 1/8 1 3/16 1 1/4	30	113 4.4488	90.5 3.5630	5 0.1969	11 0.4331	19 0.7480	35.7 1.4055	9 0.3543	M10 3/8	SA206F 206-17F 206-18F 206-19F 206-20F	PF206	0.65 1.43
SAPF207 207-20 207-21 207-22 207-23	1 1/4 1 5/16 1 3/8 1 7/16	35	122 4.8031	100 3.9370	5 0.1969	11 0.4331	20 0.7874	38.9 1.5315	9.5 0.3740	M10 3/8	SA207F 207-20F 207-21F 207-22F 207-23F	PF207	0.96 2.11
SAPF208 208-24 208-25	1 1/2 1 9/16	40	148 5.8268	119 4.6850	6 0.2362	13.5 0.5315	22 0.8661	43.7 1.7205	11 0.4331	M12 7/16	SA208F 208-24F 208-25F	PF208	1.3 2.68

* PF208 housing has four boltholes

Pressed housing flange units



(setscrew locking)



SBPF2

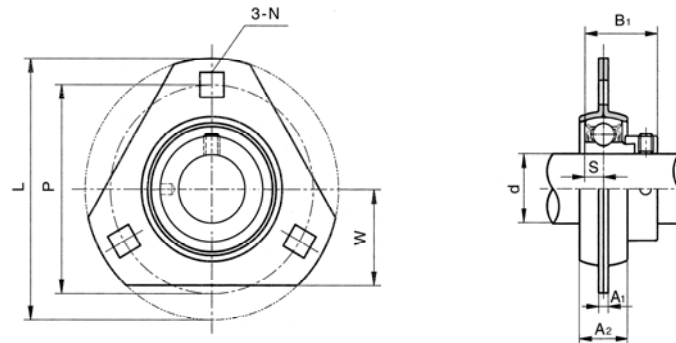
Unit number	Shaft size		Dimensions (mm)							Bolts (mm) (in.)	Bearing number	Housing number	Mass (kg) (lbS)	
	d		(inch)											
	(in.)	(mm)	L	P	A1	N	A	B1	S					
SBPF201 201-8	1/2	12	81 3.1890	63.5 2.5000	4 0.1575	7.1 0.2795	14 0.5512	28.6 1.1260	6.5 0.2559	M6 1/4	SB201 201-8	PF203	0.23 0.51	
SBPF202 202-10		15	81 3.1890	63.5 2.5000	4 0.1575	7.1 0.2795	14 0.5512	28.6 1.1260	6.5 0.2559	M6 1/4	SB202 202-10	PF203	0.22 0.48	
SBPF203 203-11	11/16	17	81 3.1890	63.5 2.5000	4 0.1575	7.1 0.2795	14 0.5512	28.6 1.1260	6.5 0.2559	M6 1/4	SB203 203-11	PF203	2.1 0.46	
SBPF204 204-12	3/4	20	90 3.5433	71.5 2.8150	4 0.1575	9 0.3543	16 0.6299	31 1.2205	7.5 0.2953	M8 5/16	SB204 204-12	PF204	0.29 0.64	
SBPF205 205-14 205-15 205-16	7/8 15/16 1	25	95 3.7402	76 2.9921	4 0.1575	9 0.3543	18 0.7087	31 1.2205	7.5 0.2953	M8 5/16	SB205 205-14 205-15 205-16	PF205	0.37 0.81	
SBPF206 206-17 206-18 206-19 206-20	1 1/16 1 1/8 1 3/16 1 1/4		30	113 4.4488	90.5 3.5630	5 0.1969	11 0.4331	19 0.7480	35.7 1.4055	9 0.3543	M10 3/8	SB206 206-17 206-18 206-19 206-20	PF206	0.58 1.28
SBPF207 207-20 207-21 207-22 207-23	1 1/4 1 5/16 1 3/8 1 7/16		35	122 4.8031	100 3.9370	5 0.1969	11 0.4331	20 0.7874	38.9 1.5315	9.5 0.3740	M10 3/8	SB207 207-20 207-21 207-22 207-23	PF207	0.74 1.63
SBPF208 208-24 208-25	1 1/2 1 9/16		40	148 5.8268	119 4.6850	6 0.2362	13.5 0.5315	22 0.8661	43.7 1.7205	11 0.4331	M12 7/16	SB208 208-24 208-25	PF208	1.14 2.56

* PF208 housing has four boltholes

Pressed housing flange units



(eccentric collar locking)



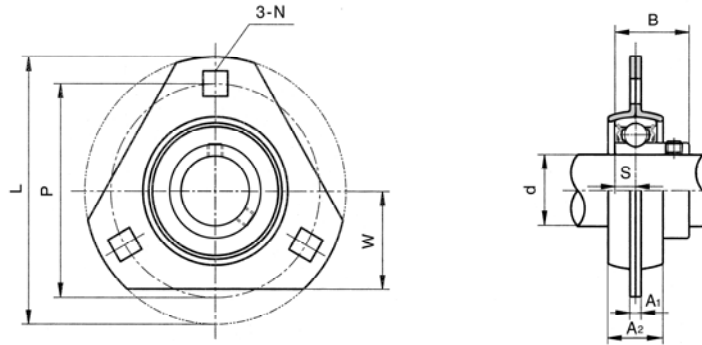
SAPFT2

Unit number	Shaft size		Dimensions (mm)								Bolts (mm) (in.)	Bearing number	Housing number	Mass (kg) (lbS)
	d		(inch)											
	(in.)	(mm)	L	P	A	A1	N	W	S	B1				
SAPFT201 201-8	1/2	12	81	63.5	14	4	7.1	29	6.5	28.6	M6	SA201F	PFT203	0.25
		3.1890	2.5000	0.5512	0.1575	0.2795	1.1417	0.2559	1.1260	1/4	201-8F		0.55	
SAPFT202 202-10	5/8	15	81	63.5	14	4	7.1	29	6.5	28.6	M6	SA202F	PFT203	0.24
		3.1890	2.5000	0.5512	0.1575	0.2795	1.1417	0.2559	1.1260	1/4	202-10F		0.53	
SAPFT203 203-11	11/16	17	81	63.5	14	4	7.1	29	6.5	28.6	M6	SA203F	PFT203	0.23
		3.1890	2.5000	0.5512	0.1575	0.2795	1.1417	0.2559	1.1260	1/4	203-11F		0.51	
SAPFT204 204-12	3/4	20	90	71.5	16	4	9	33	7.5	31	M8	SA204F	PFT204	0.31
		3.5433	2.8150	0.6299	0.1575	0.3543	1.2992	0.2953	1.2205	5/16	204-12F		0.68	
SAPFT205 205-14 205-15 205-16	7/8	25	95	76	18	4	9	35	7.5	31	M8	SA205	PFT205	0.37
SAPFT206 206-17 206-18 206-19 206-20	1 1/16	30	113	90.5	19	5	11	38	9	35.7	M10	SA206F	PFT206	0.6
SAPFT207 207-20 207-21 207-22 207-23	1 1/4	35	122	100	20	5	11	44	9.5	38.9	M10	SA207F	PFT207	0.9
SAPFT208 208-24 208-25	1 1/2	40	148	119	22	6	13.5	50	11	43.7	M12	SA208F	PFT208	1.16

Pressed housing flange units



(setscrew locking)



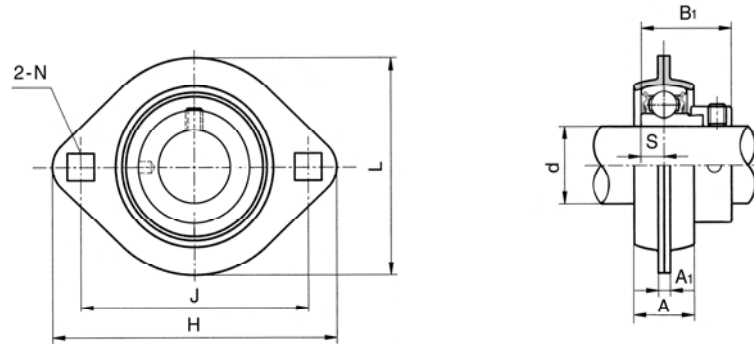
SBPFT2

Unit number	Shaft size		Dimensions (mm)								Bolts (mm) (in.)	Bearing number	Housing number	Mass (kg) (lbS)								
	d		(inch)																			
	(in.)	(mm)	L	P	A	A1	N	W	S	B1												
SBPFT201 201-8	1/2	12	81	63.5	14	4	7.1	29	6	22	M6 1/4	SB201 201-8	PFT203	0.21								
			3.1890	2.5000	0.5512	0.1575	0.2795	1.1417	0.2362	0.8661				0.46								
SBPFT202 202-10	5/8	15	81	63.5	14	4	7.1	29	6	22	M6 1/4	SB202 202-10	PFT203	0.2 0.44								
SBPFT203 203-11	11/16	17	81	63.5	14	4	7.1	29	6	22	M6 1/4	SB203 203-11	PFT203	0.19 0.42								
SBPFT204 204-12	3/4	20	90	71.5	16	4	9	33	7	25	M8 5/16	SB204 204-12	PFT204	0.27 0.59								
SBPFT205 205-14 205-15 205-16	7/8	25	95	76	18	4	9	35	7.5	27	M8 5/16	SB205 205-14 205-15 205-16	PFT205	0.34								
	15/16													3.7402	2.9921	0.7087	0.1575	0.3543	1.3780	0.2953	1.0630	0.75
	1																					
SBPFT206 206-17 206-18 206-19 206-20	1 1/16	30	113	90.5	19	5	11	38	8	30	M10 3/8	SB206 206-17 206-18 206-19 206-20	PFT206	0.53								
	1 1/8													4.4488	3.5630	0.7480	0.1969	0.4331	1.4961	0.3150	1.1811	1.17
	1 3/16																					
	1 1/4																					
SBPFT207 207-20 207-21 207-22 207-23	1 1/4	35	122	100	20	5	11	44	8.5	32	M10 3/8	SB207 207-20 207-21 207-22 207-23	PFT207	0.68								
	1 5/16													4.8031	3.9370	0.7874	0.1969	0.4331	1.7323	0.3346	1.2598	1.5
	1 3/8																					
	1 7/16																					
SBPFT208 208-24 208-25	1 1/2	40	148	119	22	6	13.5	50	9	34	M12 1/2	SB208 208-24 208-25	PFT208	1								
	1 9/16													5.8268	4.6850	0.8661	0.2362	0.5315	1.9685	0.3543	1.3386	2.2

Pressed housing flange units



(eccentric collar locking)

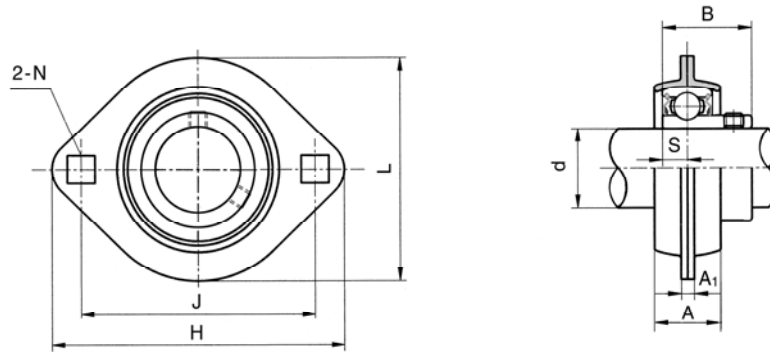


SAPFL2

Unit number	Shaft size		Dimensions (mm)								Bolts (mm) (in.)	Bearing number	Housing number	Mass (kg) (lbS)
	d		(inch)											
	(in.)	(mm)	H	J	A	A1	N	L	B1	S				
SAPFL201 201-8	1/2	12	81 3.1890	63.5 2.5000	14 0.5512	4 0.1575	7.5 0.2953	59 2.3228	28.6 1.1260	6.5 0.2559	M6 1/4	SA201F 201-8F	PFI203	0.22 0.48
SAPFL202 202-10	5/8	15	81 3.1890	63.5 2.5000	14 0.5512	4 0.1575	7.5 0.2953	59 2.3228	28.6 1.1260	6.5 0.2559	M6 1/4	SA202F 202-10F	PFI203	0.21 0.46
SAPFL203 203-11	11/16	17	81 3.1890	63.5 2.5000	14 0.5512	4 0.1575	7.5 0.2953	59 2.3228	28.6 1.1260	6.5 0.2559	M6 1/4	SA203F 203-11F	PFI203	0.2 0.44
SAPFL204 204-12	3/4	20	90 3.5433	71.5 2.8150	16 0.6299	4 0.1575	9 0.3543	67 2.6378	31 1.2205	7.5 0.2953	M8 5/16	SA204F 204-12F	PFI204	0.28 0.62
SAPFL205 205-14 205-15 205-16	7/8 15/16 1	25	95 3.7402	76 2.9921	18 0.7087	4 0.1575	9 0.3543	71 2.7953	31 1.2205	7.5 0.2953	M8 5/16	SA205 205-14 205-15 205-16	PFI205	0.33 0.73
SAPFL206 206-17 206-18 206-19 206-20	1 1/16 1 1/8 1 3/16 1 1/4	30	113 4.4488	90.5 3.5630	19 0.7480	5 0.1969	11 0.4331	84 3.3071	35.7 1.4055	9 0.3543	M10 3/8	SA206F 206-17F 206-18F 206-19F 206-20F	PFI206	0.52 1.14
SAPFL207 207-20 207-21 207-22 207-23	1 1/4 1 5/16 1 3/8 1 7/16	35	122 4.8031	100 3.9370	20 0.7874	5 0.1969	11 0.4331	94 3.7008	38.9 1.5315	9.5 0.3740	M10 3/8	SA207F 207-20F 207-21F 207-22F 207-23F	PFI207	0.71 1.56
SAPFL208 208-24 208-25	1 1/2 1 9/16	40	148 5.8268	119 4.6850	22 0.8661	6 0.2362	14 0.5512	110 4.3307	43.7 1.7205	11 0.4331	M12 1/2	SA208F 208-24F 208-25F	PFI208	1 2.2



(setscrew locking)

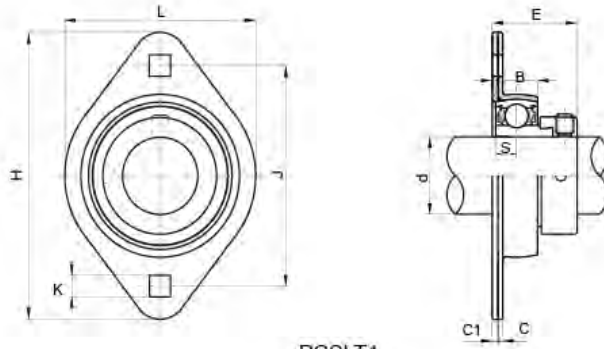


SBPFL2

Unit number	Shaft size		Dimensions (mm)								Bolts (mm) (in.)	Bearing number	Housing number	Mass (kg) (lbS)
	d		(inch)											
	(in.)	(mm)	H	J	A	A ₁	N	L	B	S				
SBPFL201 201-8	1/2	12	81 3.1890	63.5 2.5000	14 0.5512	4 0.1575	7.5 0.2953	59 2.3228	22 0.8661	6 0.2362	M6 1/4	SB201 201-8	PFI203	0.18 0.4
SBPFL202 202-10	5/8	15	81 3.1890	63.5 2.5000	14 0.5512	4 0.1575	7.5 0.2953	59 2.3228	22 0.8661	6 0.2362	M6 1/4	SB202 202-10	PFI203	0.17 0.37
SBPFL203 203-11	11/16	17	81 3.1890	63.5 2.5000	14 0.5512	4 0.1575	7.5 0.2953	59 2.3228	22 0.8661	6 0.2362	M6 1/4	SB203 203-11	PFI203	0.16 0.35
SBPFL204 204-12	3/4	20	90 3.5433	71.5 2.8150	16 0.6299	4 0.1575	9 0.3543	67 2.6378	25 0.9843	7 0.2756	M8 5/16	SB204 204-12	PFI204	0.24 0.53
SBPFL205 205-14 205-15 205-16	7/8 15/16 1	25	95 3.7402	76 2.9921	18 0.7087	4 0.1575	9 0.3543	71 2.7953	27 1.0630	7.5 0.2953	M8 5/16	SB205 205-14 205-15 205-16	PFI205	0.3 0.66
SBPFL206 206-17 206-18 206-19 206-20	1 1/16 1 1/8 1 3/16 1 1/4	30	113 4.4488	90.5 3.5630	19 0.7480	5 0.1969	11 0.4331	84 3.3071	30 1.1811	8 0.3150	M10 3/8	SB206 206-17 206-18 206-19 206-20	PFI206	0.45 0.99
SBPFL207 207-20 207-21 207-22 207-23	1 1/4 1 5/16 1 3/8 1 7/16	35	122 4.8031	100 3.9370	20 0.7874	5 0.1969	11 0.4331	94 3.7008	32 1.2598	8.5 0.3346	M10 3/8	SB207 207-20 207-21 207-22 207-23	PFI207	0.59 1.3
SBPFL208 208-24 208-25	1 1/2 1 9/16	40	148 5.8268	119 4.6850	22 0.8661	6 0.2362	14 0.5512	110 4.3307	34 1.3386	9 0.3543	M12 1/2	SB208 208-24 208-25	PFI208	0.84 1.85



(eccentric collar locking)

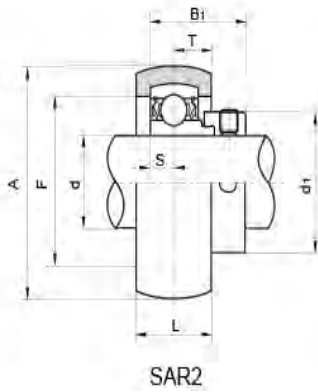


PCSLT1

Unit number	d	Dimensions (mm)									Bearing number	Housing number	Mass (kg)
		L	H	C	C1	K	J	S	B	E			
PCSLT104	20	66	90.5	2	3	8.7	71.4	6	14	26.1	SA104	PCL104	0.22
PCSLT105	25	71	95.2	2	3	8.7	76.2	6	16	28	SA105	PCL105	0.25
PCSLT106	30	84	112.5	2.5	3.5	11.5	90.5	6.5	16	29	SA106	PCL106	0.3



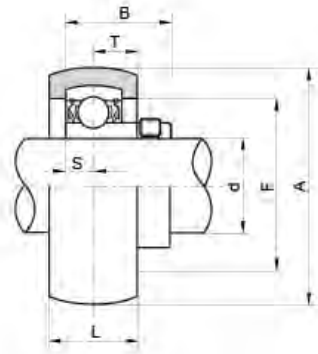
(locking collar type)



Unit number	Shaft size		Dimensions (mm)							Bearing number	Housing number	Radial load rating (N)	Mass (kg) (lbs)				
	d		(inch)														
	(in.)	(mm)	A	F	L	B1	S	T	d1								
SAR201	1/2	12	47.6	34.9	17.5	28.6	6.5	8.7	28.6	SA201H	R-4	900	0.15				
SAR201-8			1.8740	1.3740	0.6890	1.1260	0.2559	0.3425	1.1260	201-8H							
SAR202	5/8	15	47.6	34.9	17.5	28.6	6.5	8.7	28.6	SA202H	R-4	900	0.14				
202-10			1.8740	1.3740	0.6890	1.1260	0.2559	0.3425	1.1260	202-10H							
SAR203	11/16	17	47.6	34.9	17.5	28.6	6.5	8.7	28.6	SA203H	R-4	900	0.12				
203-11			1.8740	1.3740	0.6890	1.1260	0.2559	0.3425	1.1260	203-11H							
SAR204	3/4	20	52.4	40.7	17.5	31	7.5	8.7	33.3	SA204H	R-5	1200	0.17				
204-12			2.0630	1.6024	0.6890	1.2205	0.2953	0.3425	1.3110	204-12H							
SAR205	7/8	25	62.4	45.2	19.8	31	7.5	9.9	38.1	SA205	R-6	1400	0.24				
SAR205-14			2.4567	1.7795	0.7795	1.2205	0.2953	0.3898	1.5000	205-14							
SAR205-15	15/16									205-15			0.53				
SAR205-16	1									205-16							
SAR206	1 1/16	30	72.4	53.2	20.6	35.7	9	10.3	44.5	SA206H	R-7	1980	0.36				
206-17			2.8504	2.0945	0.8110	1.4055	0.3543	0.4055	1.7520	206-17H							
206-18			1 1/8											206-18H			0.8
206-19			1 3/16											206-19H			
206-20			1 1/4											206-20H			



(setscrew type)

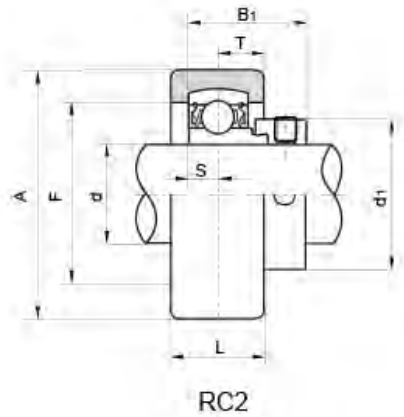


SBR2

Unit number	Shaft size		Dimensions (mm)						Bearing number	Housing number	Radial load rating (N)	Mass (kg) (lbs)		
	d		(inch)											
	(in.)	(mm)	A	F	L	B	S	T						
SBR201	1/2	12	47.6	34.9	17.5	22	6	8.7	SB201	R-4	900	0.12		
201-8			1.8740	1.3740	0.6890	0.8661	0.2362	0.3425	201-8				0.26	
SBR202	5/8	15	47.6	34.9	17.5	22	6	8.7	SB202	R-4	900	0.11		
202-10			1.8740	1.3740	0.6890	0.8661	0.2362	0.3425	202-10				0.24	
SBR203	11/16	17	47.6	34.9	17.5	22	6	8.7	SB203	R-4	900	0.1		
203-11			1.8740	1.3740	0.6890	0.8661	0.2362	0.3425	203-11				0.22	
SBR204	3/4	20	52.4	40.7	17.5	25	7	8.7	SB204	R-5	1200	0.15		
204-12			2.0630	1.6024	0.6890	0.9843	0.2756	0.3425	204-12				0.33	
SBR205	7/8	25	62.4	45.2	19.8	27	7.5	9.9	SB205	R-6	1400	0.27		
205-14			2.4567	1.7795	0.7795	1.0630	0.2953	0.3898	205-14				0.46	
205-15			15/16										205-15	
205-16			1										205-16	
SBR206	1 1/16	30	72.4	53.2	20.6	30	8	10.3	SB206	R-7	1980	0.32		
206-17			2.8504	2.0945	0.8110	1.1811	0.3150	0.4055	206-17				0.7	
206-18			1 1/8										206-18	
206-19			1 3/16										206-19	
206-20			1 1/4										206-20	



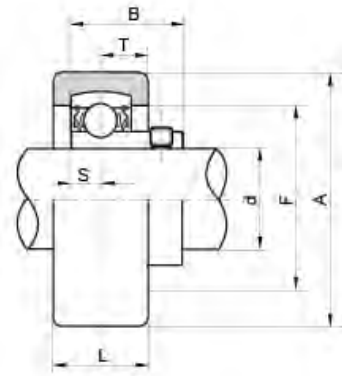
(locking collar type)



Unit number	Shaft size		Dimensions (mm)							Bearing number	Housing number	Radial load rating (N)	Mass (kg) (lbs)	
	d		(inch)											
	(in.)	(mm)	A	F	L	B1	S	T	d1					
RC201	1/2	12	64.3	34.9	25.4	28.6	6.5	12.7	28.6	SA201H	RC-3	900	0.23	
201-8			2.5315	1.3740	1.0000	1.1260	0.2559	0.5000	1.1260	201-8H				0.51
RC202	5/8	15	64.3	34.9	25.4	28.6	6.5	12.7	28.6	SA202H	RC-3	900	0.22	
202-10			2.5315	1.3740	1.0000	1.1260	0.2559	0.5000	1.1260	202-10H				0.48
RC203	11/16	17	64.3	34.9	25.4	28.6	6.5	12.7	28.6	SA203H	RC-3	900	0.2	
203-11			2.5315	1.3740	1.0000	1.1260	0.2559	0.5000	1.1260	203-11H				0.44
RC204	3/4	20	64.3	40.7	25.4	31	7.5	12.7	33.3	SA204H	RC-4	1200	0.23	
204-12			2.5315	1.6024	1.0000	1.2205	0.2953	0.5000	1.3110	204-12H				0.51
RC205	7/8	25	64.3	45.2	25.4	31	7.5	12.7	38.1	SA205	RC-5	1400	0.26	
205-14			2.5315	1.7795	1.0000	1.2205	0.2953	0.5000	1.5000	205-14				0.57
205-15			15/16							205-15				
205-16	1								205-16					
RC206	1 1/16	30	78.6	53.2	30.2	35.7	9	15.1	44.5	SA206H	RC-6	1980	0.42	
206-17			3.0945	2.0945	1.1890	1.4055	0.3543	0.5945	1.7520	206-17H				0.92
206-18			1 1/8							206-18H				
206-19			1 3/16							206-19H				
206-20			1 1/4							206-20H				



(setscrew type)

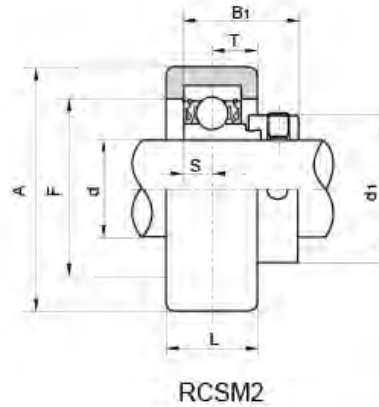


RCS2

Unit number	Shaft size		Dimensions (mm)						Bearing number	Housing number	Radial load rating (N)	Mass (kg) (lbs)
	d		(inch)									
	(in.)	(mm)	A	F	L	B	S	T				
RCS201 201-8	1/2	12	64.3 2.5315	34.9 1.3740	25.4 1.0000	22 0.8661	6 0.2362	12.7 0.5000	SB201 201-8	RC-3	900	0.2 0.44
RCS202 202-10	5/8	15	64.3 2.5315	34.9 1.3740	25.4 1.0000	22 0.8661	6 0.2362	12.7 0.5000	SB202 202-10	RC-3	900	0.19 0.42
RCS203 203-11	11/16	17	64.3 2.5315	34.9 1.3740	25.4 1.0000	22 0.8661	6 0.2362	12.7 0.5000	SB203 203-11	RC-3	900	0.18 0.4
RCS204 204-12	3/4	20	64.3 2.5315	40.7 1.6024	25.4 1.0000	25 0.9843	7 0.2756	12.7 0.5000	SB204 204-12	RC-4	1200	0.21 0.46
RCS205 205-14 205-15 205-16	7/8 15/16 1	25	62.4 2.4567	45.2 1.7795	25.4 1.0000	27 1.0630	7.5 0.2953	12.7 0.5000	SB205 205-14 205-15 205-16	RC-5	1400	0.23 0.51
RCS206 206-17 206-18 206-19 206-20	1 1/16 1 1/8 1 3/16 1 1/4	30	78.6 3.0945	53.2 2.0945	30.2 1.1890	30 1.1811	8 0.3150	15.1 0.5945	SB206 206-17 206-18 206-19 206-20	RC-6	1980	0.38 0.84



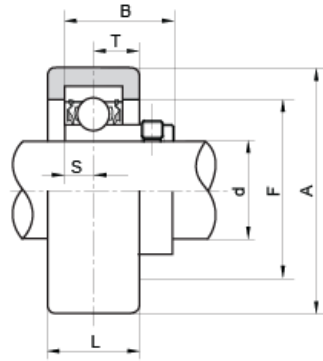
(locking collar type)



Unit number	Shaft size		Dimensions (mm)							Bearing number	Housing number	Radial load rating (N)	Mass (kg) (lbs)
	d		(inch)										
	(in.)	(mm)	A	F	L	B1	S	T	d1				
RCSM201 201-8	1/2	12	64.3	34.9	25.4	28.6	6.5	12.7	28.6	CSA201H 201-8H	RCSM203	900	0.23
			2.5315	1.3740	1.0000	1.1260	0.2559	0.5000	1.1260				0.51
RCSM202 202-10	5/8	15	64.3	34.9	25.4	28.6	6.5	12.7	28.6	CSA202H 202-10H	RCSM203	900	0.22
			2.5315	1.3740	1.0000	1.1260	0.2559	0.5000	1.1260				0.48
RCSM203 203-11	11/16	17	64.3	34.9	25.4	28.6	6.5	12.7	28.6	CSA203H 203-11H	RCSM203	900	0.2
			2.5315	1.3740	1.0000	1.1260	0.2559	0.5000	1.1260				0.44
RCSM204 204-12	3/4	20	64.3	40.7	25.4	31	7.5	12.7	33.3	CSA204H 204-12H	RCSM204	1200	0.23
			2.5315	1.6024	1.0000	1.2205	0.2953	0.5000	1.3110				0.51
RCSM205 205-14 205-15 205-16	7/8 15/16 1	25	64.3	45.2	25.4	31	7.5	12.7	38.1	CSA205 205-14 205-15 205-16	RCSM205	1400	0.26
			2.5315	1.7795	1.0000	1.2205	0.2953	0.5000	1.5000				0.57
RCSM206 206-17 206-18 206-19 206-20	1 1/16 1 1/8 1 3/16 1 1/4	30	78.6	53.2	30.2	35.7	9	15.1	44.5	CSA206H 206-17H 206-18H 206-19H 206-20H	RCSM206	1980	0.42
			3.0945	2.0945	1.1890	1.4055	0.3543	0.5945	1.7520				0.92

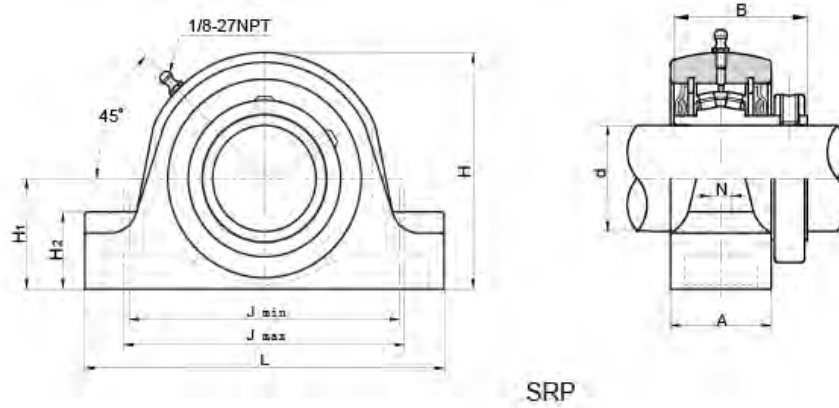


(setscrew type)

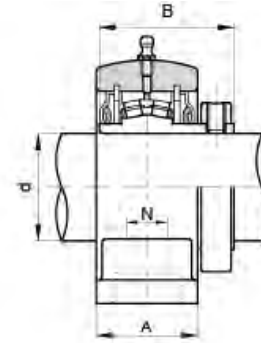
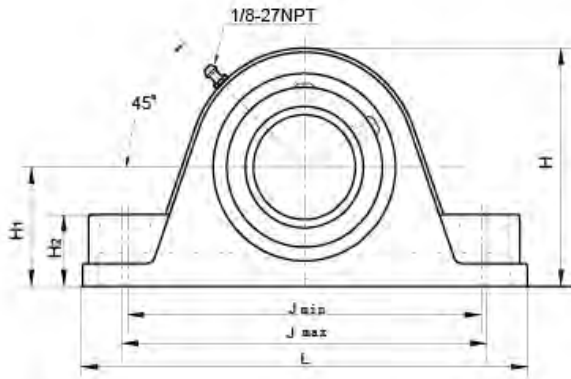


RCSMS2

Unit number	Shaft size		Dimensions (mm)						Bearing number	Housing number	Radial load rating (N)	Mass (kg) (lbs)
	d		(inch)									
	(in.)	(mm)	A	F	L	B	S	T				
RCSMS201 201-8	1/2	12	64.3 2.5315	34.9 1.3740	25.4 1.0000	22 0.8661	6 0.2362	12.7 0.5000	CSB201 201-8	RCSM203	900	0.2 0.44
RCSMS202 202-10	5/8	15	64.3 2.5315	34.9 1.3740	25.4 1.0000	22 0.8661	6 0.2362	12.7 0.5000	CSB202 202-10	RCSM203	900	0.19 0.42
RCSMS203 203-11	1 1/16	17	64.3 2.5315	34.9 1.3740	25.4 1.0000	22 0.8661	6 0.2362	12.7 0.5000	CSB203 203-11	RCSM203	900	0.18 0.4
RCSMS204 204-12	3/4	20	64.3 2.5315	40.7 1.6024	25.4 1.0000	25 0.9843	7 0.2756	12.7 0.5000	CSB204 204-12	RCSM204	1200	0.21 0.46
RCSMS205 205-14 205-15 205-16	7/8 15/16 1	25	64.3 2.5315	45.2 1.7795	25.4 1.0000	27 1.0630	7.5 0.2953	12.7 0.5000	CSB205 205-14 205-15 205-16	RCSM205	1400	0.23 0.51
RCSMS206 206-17 206-18 206-19 206-20	1 1/16 1 1/8 1 3/16 1 1/4	30	78.6 3.0945	53.2 2.0945	30.2 1.1890	30 1.1811	8 0.3150	15.1 0.5945	CSB206 206-17 206-18 206-19 206-20	RCSM206	1980	0.38 0.84

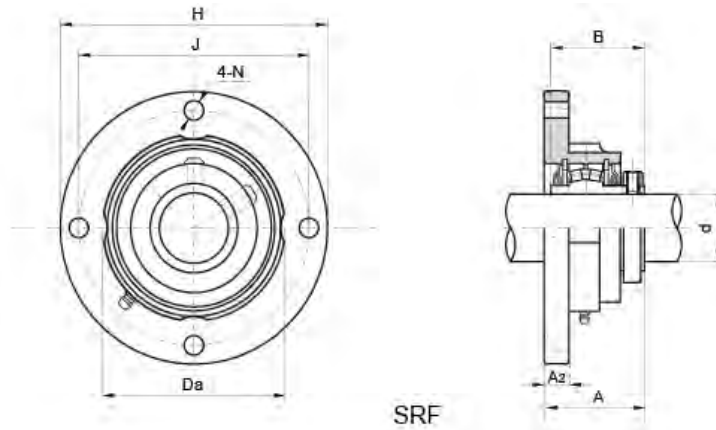


Bearing number	Shaft size		Dimensions (mm)									Bolts (mm) (in)	Mass											
	d		(inch)										(kg)	(lbs)										
	(in.)	(mm)	H1	H2	H	L	A	B	J min	J max	N													
SRP2208	1 7/16 1 1/2	40	47.6	30.2	98.4	174.6	52.4	69.85	119.1	134.9	15.1	(2)-M12 (2)-1/2	3.45	7.6										
SRP2208-23			1.8750	1.1875	3.8750	6.8750	2.0625	2.7500	4.6875	5.3125	0.5938		3.58	7.9										
SRP2208-24															3.54	7.8								
SRP2209	1 1/16 1 3/4	45	54	33.3	108	187.3	52.4	73.03	131.8	147.6	15.1	(2)-M12 (2)-1/2	4.35	9.6										
SRP2209-27			2.1250	1.3125	4.2500	7.3750	2.0625	2.8750	5.1875	5.8125	0.5938		4.40	9.7										
SRP2209-28															4.31	9.5								
SRP2210	1 15/16 2	50	57.2	34.9	115.9	212.7	58.7	73.03	150.8	166.7	19.1	(2)-M16 (2)-5/8	5.17	11.4										
SRP2210-31			2.2500	1.3750	4.3750	8.3750	2.3125	2.8750	5.9375	6.5625	0.7500		5.17	11.4										
SRP2210-32															5.03	11.1								
SRP2211	2 3/16	55	63.5	41.3	127	225.4	58.7	79.38	163.5	179.4	19.1	(2)-M16 (2)-5/8	5.49	12.1										
SRP2211-35			2.5000	1.6250	5.0000	8.8750	2.3125	3.1250	6.4375	7.0625	0.7500		5.44	12.0										
SRP2213(60)	2 7/16 2 1/2	60	69.8	44.4	144.5	235	65.1	85.73	173	188.9	19.1	(2)-M16 (2)-5/8	8.30	18.3										
SRP2213-39			2.7500	1.7500	5.6875	9.2500	2.5625	3.3750	6.1875	7.4375	0.7500		8.16	18.0										
SRP2213-40															8.07	17.8								
SRP2215(70)	2 11/16 2 3/4 2 15/16 3	70	82.6	57.2	163.5	265.1	65.1	92.08	198.4	214.3	22.2	(2)-M20 (2)-3/4	11.97	26.4										
SRP2215		75											11.66	25.7										
SRP2215-43		3.2500											2.2500	6.8750	10.4375	2.5625	3.6250	7.8125	8.4375	0.8750	12.06	26.6		
SRP2215-44																							11.93	26.3
SRP2215-47																							11.47	25.3
SRP2215-48																							11.34	25.0
SRP2218(85)	3 7/16 3 1/2	85	95.2	57.2	190.5	330.2	74.6	102.39	235	273	25.4	(2)-M22 (2)-7/8	15.24	33.6										
SRP2218-55			3.7500	2.2500	7.5000	13.0000	2.9375	4.0310	9.2500	10.7500	1.0000		14.97	33.0										
SRP2218-56															14.51	32.0								
SRP2220	3 11/16 3 15/16 4	100	104.8	63.5	214.3	362	84.1	116.69	254	298.4	28.6	(2)-M24 (2)-1	21.77	48.0										
SRP2220-59			4.1250	2.5000	8.4375	14.2500	3.3125	4.5940	10.0000	11.7500	1.1250		22.22	49.0										
SRP2220-63															21.77	48.0								
SRP2220-64															21.77	48.0								

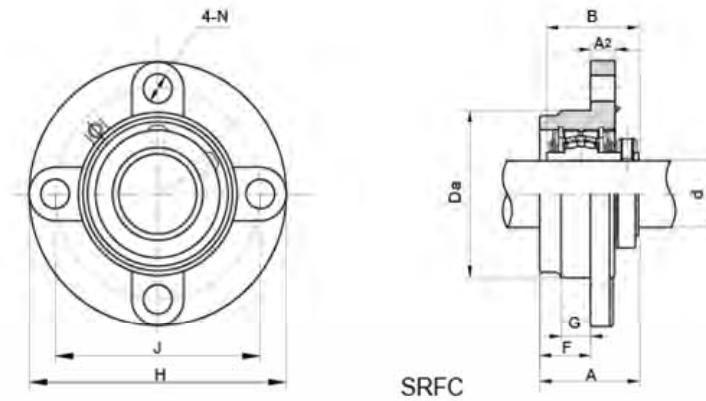


SRPE

Bearing number	Shaft size		Dimensions (mm)									Bolts (mm) (in.)	Mass	
	d		(inch)										(kg)	(lbs)
	(in.)	(mm)	H1	H2	H	L	A	B	J min	J max	N			
SRPE2208	1 7/16 1 1/2	40	47.6	28.6	98.4	187.3	54	69.85	139.7	152.4	15.1	(2)-M12	3.45	7.6
SRPE2208-23			1.8750	1.1250	3.8750	7.3750	2.1250	2.7500	5.5000	6.0000	0.5938	(2)-1/2	3.58	7.9
SRPE2208-24														3.54
SRPE2209	1 1/16 1 3/4	45	54	31.8	108	200	60.3	73.03	152.4	165.1	15.1	(2)-M12	4.35	9.6
SRPE2209-27			2.1250	1.2500	4.2500	7.8750	2.3750	2.8750	6.0000	6.5000	0.5938	(2)-1/2	4.40	9.7
SRPE2209-28														4.31
SRPE2210	1 15/16 2	50	57.2	33.3	114.3	225.4	63.5	73.03	171.4	184.2	19.1	(2)-M16	5.17	11.4
SRPE2210-31			2.2500	1.3125	4.5000	8.8750	2.5000	2.8750	6.7500	7.2500	0.7500	(2)-5/8	5.17	11.4
SRPE2210-32														5.03
SRPE2211	2 3/16	55	63.5	38.1	127	244.5	66.7	79.38	190.5	203.2	19.1	(2)-M16	5.49	12.1
SRPE2211-35			2.5000	1.5000	5.0000	9.6250	2.6250	3.1250	7.5000	8.0000	0.7500	(2)-5/8	5.44	12.0
SRPE2213(60)	2 7/16 2 1/2	60	69.8	41.3	144.5	266.7	73	85.73	209.6	222.2	19.1	(2)-M16	8.30	18.3
SRPE2213-39			2.7500	1.6250	5.6875	10.5000	2.8750	3.3750	8.2500	8.7500	0.7500	(2)-5/8	8.16	18.0
SRPE2213-40														8.07
SRPE2215(70)	2 11/16 2 3/4 2 15/16 3	70	79.4	47.6	160.3	304.8	76.2	92.08	235	247.6	22.2	(2)-M20	11.97	26.4
SRPE2215		75											11.66	25.7
SRPE2215-43		3.1250	2.8750	6.3125	12.0000	3.0000	3.6250	9.2500	9.7500	0.8750	(2)-3/4	12.06	26.6	
SRPE2215-44													11.93	26.3
SRPE2215-47													11.47	25.3
SRPE2215-48													11.34	25.0
SRPE2218(85)	3 7/16 3 1/2	85	95.2	57.2	190.5	355.6	92.1	102.39	271.5	287.3	25.4	(2)-M22	15.24	33.6
SRPE2218-55			3.7500	2.2500	7.5000	14.0000	3.6250	4.0310	10.6875	11.3125	1	(2)-7/8	14.97	33.0
SRPE2218-56														14.51



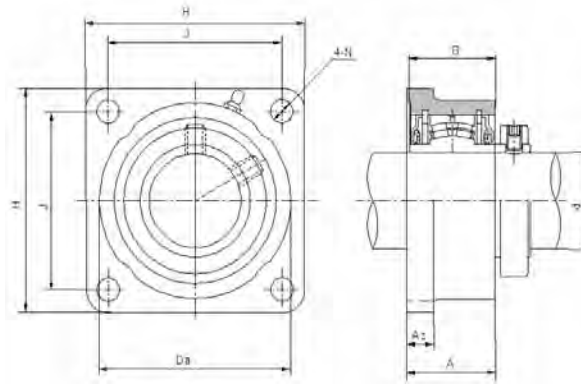
Bearing number	Shaft size		Dimensions (mm)							Bolts (mm) (in.)	Mass								
	d		(inch)								(kg)	(lbs)							
	(in.)	(mm)	A	A ₂	B	Da	H	J	N										
SRF2208	1 7/16 1 1/2	40	73	19.1	69.85	98.4	158.8	127	15.1	(3)-M12	2.68	5.9							
SRF2208-23			2.8740	0.7520	2.7500	3.8740	6.2520	5.0000	0.5945	(3)-1/2	2.72	6.0							
SRF2208-24												2.72	6.0						
SRF2209	1 1/16 1 3/4	45	76.2	19.1	73.03	114.3	171.4	139.7	15.1	(4)-M12	3.54	7.8							
SRF2209-27			3.0000	0.7520	2.8752	4.5000	6.7480	5.5000	0.5945	(4)-1/2	3.63	8.0							
SRF2209-28												3.63	8.0						
SRF2210	1 15/16 2	50	76.2	19.1	73.03	120.6	177.8	146	15.1	(4)-M12	4.17	9.2							
SRF2210-31			3.0000	0.7520	2.8752	4.7480	7.0000	5.7480	0.5945	(4)-1/2	4.17	9.2							
SRF2210-32												4.04	8.9						
SRF2211	2 3/16	55	82.6	19.1	79.38	130.2	196.8	161.9	19.1	(4)-M16	5.44	12.0							
SRF2211-35			3.2520	0.7520	3.1252	5.1260	7.7480	6.3740	0.7520	(4)-5/8									
SRF2213(60)	2 7/16 2 1/2	60	88.9	23.8	85.73	146	206.4	171.4	19.1	(4)-M16	7.30	16.1							
SRF2213-39			3.5000	0.9370	3.3752	5.7480	8.1260	6.7480	0.7520	(4)-5/8	7.26	16.0							
SRF2213-40												7.26	16.0						
SRF2215(70)	2 11/16 2 3/4 2 15/16 3	70	98.4	23.8	92.08	168.3	241.3	200	22.2	(4)-M20	10.43	23.0							
SRF2215		75									10.61	23.4							
SRF2215-43		3.8740									0.9370	3.6252	6.6260	9.5000	7.8740	0.8740	(4)-3/4	10.70	23.6
SRF2215-44																		10.57	23.3
SRF2215-47																		9.98	22.0
SRF2215-48																		9.84	21.7
SRF2218(85)	3 7/16 3 1/2	85	108.7	28.6	102.39	193.7	282.6	241.3	22.2	(4)-M20	15.78	34.8							
SRF2218-55			4.2795	1.1260	4.0311	7.6260	11.1260	9.5000	0.8740	(4)-3/4	15.87	35.0							
SRF2218-56											15.87	35.0							
SRF2220	3 11/16 3 15/16 4	100	123	28.6	116.69	212.7	320.7	273	25	(4)-M22	21.22	46.8							
SRF2220-59			4.8425	1.1260	4.5941	8.3740	12.6260	10.7480	0.9843	(4)-7/8	21.32	47.0							
SRF2220-63											20.86	46.0							
SRF2220-64											20.86	46.0							



Bearing number	Shaft size		Dimensions									Bolts (mm) (in.)	Mass		
	d		(mm)										(kg)	(lbs)	
	(in.)	(mm)	A	A2	B	F	G	Da	H	J	N				(inch)
SRFC2208	1 7/16 1 1/2	40	73.4	12.7	69.85	35.3	19.1	92.08	133.4	111.1	12	(4)-M10	2.68	5.9	
SRFC2208-23			2.8898	0.5000	2.7500	1.3898	0.7520	3.6252	5.2520	4.3740	0.4724	(4)-3/8	2.72	6.0	
SRFC2208-24														2.72	6.0
SRFC2209	1 1/16 1 3/4	45	80.2	12.7	73.03	40.5	22.2	107.95	155.6	130.2	13.5	(4)-M12	3.54	7.8	
SRFC2209-27			3.1575	0.5000	2.8752	1.5945	0.8780	4.2500	6.1260	5.1260	0.5315	(4)-7/16	3.63	8.0	
SRFC2209-28														3.63	8.0
SRFC2210	1 15/16 2	50	80.2	14.3	73.03	40.5	22.2	114.3	161.9	136.5	13.5	(4)-M12	4.17	9.2	
SRFC2210-31			3.1575	0.5630	2.8752	1.5945	0.8780	4.5000	6.3740	5.3740	0.5315	(4)-7/16	4.17	9.2	
SRFC2210-32														4.04	8.9
SRFC2211	2 3/16	55	84.1	14.3	79.38	42.1	25.4	127.5	181	152.4	15.1	(4)-M12	5.44	12	
SRFC2211-35			3.3110	0.5630	3.1252	1.6575	1.0000	5.0197	7.1260	6.0000	0.5945	(4)-1/2	5.44	12	
SRFC2213(60)	2 7/16 2 1/2	60	88.9	15.9	85.73	42.9	25.4	139.7	193.7	165.1	15.1	(4)-M12	7.30	16.1	
SRFC2213-39			3.5000	0.6260	3.3752	1.6890	1.0000	5.5000	7.6260	6.5000	0.5945	(4)-1/2	7.26	16.0	
SRFC2213-40														7.26	16.0
SRFC2215(70)	2 11/16 2 3/4 2 15/16 3	70	99	18	92	52	31.8	161.92	222	191	19	(4)-M16	10.43	23.0	
SRFC2215			75											10.61	23.4
SRFC2215-43		3.9055	0.6890	3.6252	2.0315	1.2520	6.3748	8.7480	7.5000	0.7520	(4)-5/8	10.70	23.6		
SRFC2215-44													10.57	23.3	
SRFC2215-47													9.98	22.0	
SRFC2215-48													9.84	21.7	
SRFC2218(85)	3 7/16 3 1/2	85	107.2	22.2	102.39	49.2	31.8	187.32	260.4	219.1	22.2	(4)-M20	15.78	34.8	
SRFC2218-55			4.2205	0.8740	4.0311	1.9370	1.2520	7.3748	10.2520	8.6260	0.8740	(4)-3/4	15.87	35.0	
SRFC2218-56														15.87	35.0
SRFC2220	3 11/16 3 15/16 4	100	122.2	22.2	116.69	61.1	50.8	206.38	276.2	238.1	22.2	(4)-M20	21.22	46.8	
SRFC2220-59			4.8110	0.8740	4.5941	2.4055	2.0000	8.1252	10.8740	9.3740	0.8740	(4)-3/4	21.32	47.0	
SRFC2220-63														20.86	46.0
SRFC2220-64														20.86	46.0

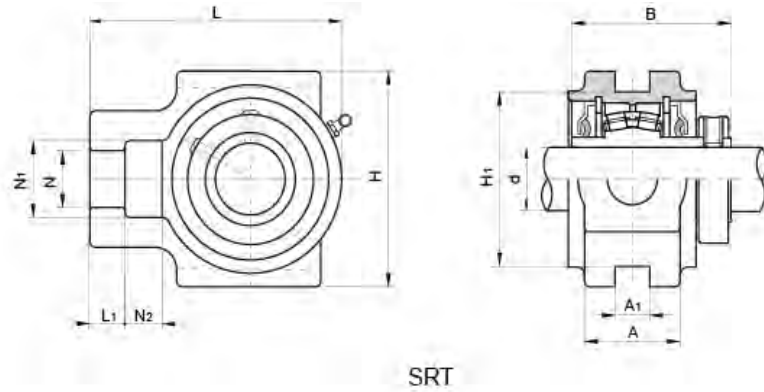


Spherical roller bearing units

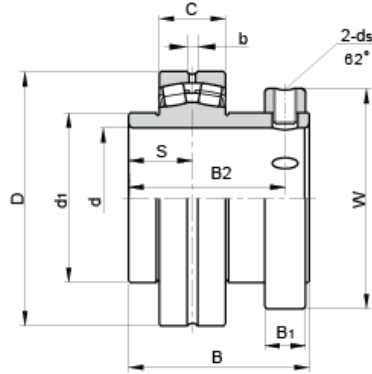


SRFS

Bearing number	Shaft size		Dimensions (mm)							Bolts (mm) (in.)	Mass		
	d		(inch)								(kg)	(lbs)	
	(in.)	(mm)	A	A2	B	L	J	Da	N				
SRFS2208	1 7/16 1 1/2	40	71.4	19.1	69.9	117.5	89.8	98.4	14.0	M12 1/2	2.64	5.81	
SRFS2208-23			2.8110	0.7520	2.7500	4.6260	3.5355	3.8740	0.5512		2.76	6.08	
SRFS2208-24												2.73	6.00
SRFS2209	1 11/16 1 3/4	45	77.4	19.1	73.0	127.0	98.8	114.3	14.0	M12 1/2	3.45	7.61	
SRFS2209-27			3.0472	0.7520	2.8752	5.0000	3.8891	4.5000	0.5512		3.52	7.75	
SRFS2209-28												3.47	7.64
SRFS2210	1 15/16 2	50	77.4	19.1	73.0	131.8	103.2	120.6	14.0	M12 1/2	4.10	9.04	
SRFS2210-31			3.0472	0.7520	2.8752	5.1874	4.0645	4.7480	0.5512		4.13	9.10	
SRFS2210-32												4.08	8.98
SRFS2211	2 3/16	55	83.7	19.1	79.4	149.2	114.5	130.2	19.0	M16 5/8	5.29	11.65	
SRFS2211-35			3.2953	0.7520	3.1252	5.8750	4.5071	5.1260	0.7480		5.26	11.59	
SRFS2213(60)	2 7/16 2 1/2	60	90.1	23.8	85.7	155.6	121.2	146.0	19.0	M16 5/8	7.22	15.89	
SRFS2213-39			3.5472	0.9370	3.3752	6.1250	4.7716	5.7480	0.7480		7.08	15.60	
SRFS2213-40												7.01	15.44
SRFS2215(70)	2 11/16 2 3/4 2 15/16 3	70	99.6	23.8	92.1	182.6	141.4	168.3	22.0	M20 3/4	9.91	21.83	
SRFS2215		75	99.6	23.8	92.1	182.6	141.4	168.3	22.0		9.63	21.20	
SRFS2215-43											10.01	22.05	
SRFS2215-44		3.9213	0.9370	3.6252	7.1874	5.5678	6.6260	0.8661	9.92	21.85			
SRFS2215-47										9.64	21.22		
SRFS2215-48										9.54	21.01		
SRFS2218(85)	3 7/16 3 1/2	85	109.9	28.6	102.4	212.7	170.6	193.7	22.0	M20 3/4	14.93	4.98	
2218-55			4.3268	1.1260	4.0311	8.3750	6.7175	7.6260	0.8661		14.65	4.74	
2218-56												14.52	4.63
SRFS2220	3 7/8 3 15/16 4	100	122.6	28.6	116.7	241.3	193.0	212.7	25.0	M22 7/8	19.73	6.56	
SRFS2220-59			4.8268	1.1260	4.5941	9.5000	7.6000	8.3740	0.9843		20.35	7.09	
SRFS2220-63												19.73	6.56
SRFS2220-64												19.57	6.42



Bearing number	Shaft size		Dimensions (mm)										Mass	
	d		(inch)										(kg)	(lbs)
	(in.)	(mm)	L	L1	N	N1	N2	A	A1	B	H1	H		
SRT2208		40	138.1	19.1	22.2	36.5	15.9	55.6	13.5	69.85	88.9	104.8	3.36	7.40
SRT2208-23	1 7/16		5.437	0.752	0.874	1.437	0.626	2.189	0.5315	2.75	3.5	4.126	3.45	7.60
SRT2208-24	1 1/2												3.40	7.50
SRT2209		45	151	19.1	28.6	49.2	19.1	58.7	17.5	73.03	101.6	120.6	4.81	10.60
SRT2209-27	1 1/16		5.9449	0.752	1.126	1.937	0.752	2.311	0.689	2.8752	4	4.748	4.90	10.80
SRT2209-28	1 3/4												4.81	10.60
SRT2210		50	157.1	19.1	28.6	49.2	19.1	58.7	17.5	73.03	101.6	120.6	4.99	11.00
SRT2210-31	1 15/16		6.185	0.752	1.126	1.937	0.752	2.311	0.689	2.8752	4	4.748	5.12	11.30
SRT2210-32	2												4.99	11.00
SRT2211		55	175	22.2	31.8	57.2	25.4	61.9	20.6	79.38	114.3	133.4	5.94	13.10
SRT2211-35	2 3/16		6.8898	0.874	1.252	2.252	1	2.437	0.811	3.1252	4.5	5.252	5.90	13.00
SRT2213(60)		60	203	23.8	34.9	63.5	31.8	65.1	27	85.73	130.2	149.2	7.62	16.80
SRT2213-39	2 7/16		7.9921	0.937	1.374	2.5	1.252	2.563	1.063	3.3752	5.126	5.874	7.48	16.50
SRT2213-40	2 1/2												7.35	16.20
SRT2215(70)		70	222.3	25.4	41.3	69.8	31.8	68.3	46	92.08	150.8	169.9	11.84	26.10
SRT2215		75	8.752	1	1.626	2.748	1.252	2.689	1.811	3.6252	5.937	6.689	12.06	26.60
SRT2215-43	2 11/16												12.43	27.40
SRT2215-44	2 3/4												12.29	27.10
SRT2215-47	2 15/16												11.84	26.10
SRT2215-48	3												11.70	25.80
SRT2218(85)		85	268.3	33.3	47.6	73	41.3	77.8	46	102.39	173	198.4	0.00	
SRT2218-55	3 7/16		10.563	1.311	1.874	2.874	1.626	3.063	1.811	4.0311	6.811	7.811	17.23	38.00
SRT2218-56	3 1/2												17.23	38.00
SRT2220		100	308	34.9	54	85.7	54	87.3	52.4	116.69	219.1	239.7	23.58	52.00
SRT2220-59	3 11/16												24.04	53.00
SRT2220-63	3 15/16		12.1260	1.3740	2.1260	3.3740	2.1260	3.4370	2.0630	4.5941	8.6260	9.4370	23.58	52.00
SRT2220-64	4												24.04	53.00



SR22

Bearing number	Shaft size		Dimensions (mm)										Basic load ratings (KN)		Mass			
	d		(inch)										Cr	Cor	(kg)	(lbs)		
	(in.)	(mm)	D	B	C	b	S	B1	B2	d1	W	ds						
SR2208	1 7/16 1 1/2	40	80	69.85	23	5.56	25.4	15.88	59.5	48.46	60.33	M10x12	90	95	0.70	1.54		
SR2208-23		3.1496	2.7500	0.9055	0.2190	1.0000	0.6250	2.3430	1.9080	2.3750	3/8-24UNF	0.81			1.79			
SR2208-24																0.78	1.71	
SR2209	1 1/16 1 3/4	45	85	73.03	23	5.56	25.4	15.88	61.8	54.79	66.68	M10x12	95	108	0.86	1.90		
SR2209-27		3.3465	2.8750	0.9055	0.2190	1.0000	0.6250	2.4330	2.1570	2.6250	3/8-24UNF	0.92			2.02			
SR2209-28																0.87	1.93	
SR2210	1 15/16 2	50	90	73.03	23	5.56	25.4	15.88	61.85	59.87	73.03	M10x12	100	116	0.93	2.05		
SR2210-31		3.5433	2.8750	0.9055	0.2190	1.0000	0.6250	2.4350	2.3570	2.8750	3/8-24UNF	0.96			2.11			
SR2210-32																0.91	2.00	
SR2211	2 3/16	55	100	79.38	25	5.56	28.56	19.05	68.15	66.06	82.55	M10x12	122	150	1.27	2.80		
SR2211-35		3.9370	3.1250	0.9843	0.2190	1.1250	0.7500	2.6830	2.6000	3.2500	3/8-24UNF	1.25			2.75			
SR2213(60)	2 7/16 2 1/2	60	120	85.73	31	5.56	31.75	22.23	73.75	78.43	101.6	M12x20	173	212	2.35	5.18		
SR2213-39		4.7244	3.3750	1.2205	0.2190	1.2500	0.8750	2.9040	3.0880	4.0000	1/2-20UNF	2.23			4.91			
SR2213-40																2.16	4.76	
SR2215(70)	2 11/16 2 3/4 2 15/16 3	70	130	92.08	31	5.56	31.75	22.23	76.85	88.68	114.3	M12x20	190	245	2.76	6.08		
SR2215		75															2.50	5.51
SR2215-43		5.1181	3.6250	1.2205	0.2190	1.2500	0.8750	3.0060	3.4910	4.5000	1/2-20UNF	2.85			6.28			
SR2215-44																2.77	6.10	
SR2215-47																2.51	5.53	
SR2215-48																2.42	5.33	
SR2218(85)	3 7/16 3 1/2	85	160	102.39	40	5.56	36.53	22.23	87.23	107.3	130.18	M12x22	290	375	4.98	10.98		
SR2218-55		6.2992	4.0310	1.5748	0.2190	1.4380	0.8750	3.4330	4.2240	5.1250	1/2-20UNF	4.74			10.44			
SR2218-56																4.63	10.21	
SR2220	3 11/16 3 15/16 4	100	180	116.69	46	8.33	41.28	25.4	99.14	118.11	152.4	M16x26	375	480	6.56	14.46		
SR2220-59		7.0866	4.5940	1.8110	0.3280	1.6250	1.0000	3.9030	4.6500	6.0000	5/8-18UNF	7.09			15.63			
SR2220-63																6.56	14.46	
SR2220-64																6.42	14.15	